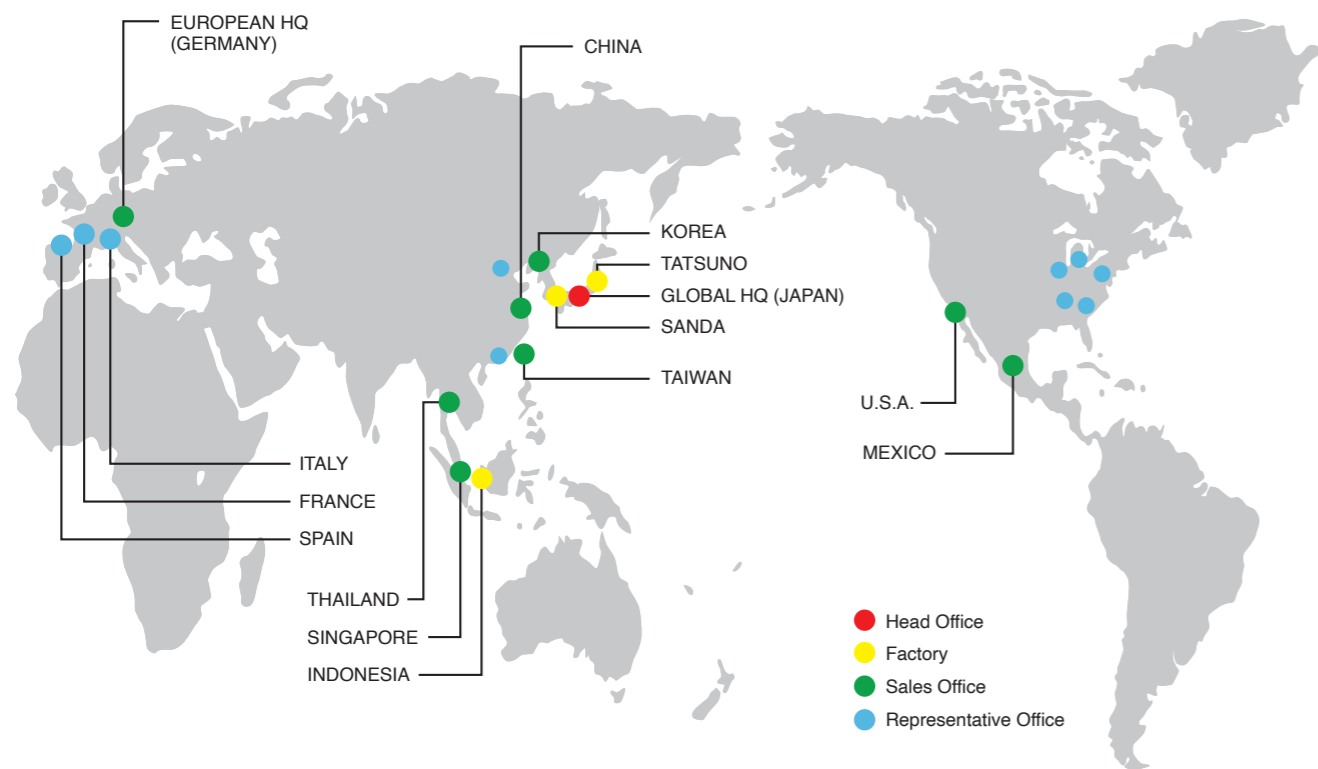


PATLITE Global Network



PATLITE Corporation

www.patlite.co.jp

PATLITE (U.S.A.) Corporation

www.patlite.com

PATLITE (SINGAPORE) PTE LTD

www.patlite-ap.com

PATLITE (CHINA) Corporation

www.patlite.cn

PATLITE Europe GmbH

www.patlite.eu

PATLITE KOREA CO., LTD.

www.patlite.co.kr

PATLITE TAIWAN CO., LTD.

www.patlite.tw

PATLITE (THAILAND) CO., LTD.

www.patlite.co.th

PATLITE MEXICO S.A. de C.V.

www.patlite.com.mx

- PATLITE, the PATLITE logo are either registered trademarks or trademarks of PATLITE Corporation in JAPAN and/or other countries.
- MPEG Layer-3 audio coding technology licensed from Fraunhofer IIS and Thomson Licensing.
- The names of other companies and products are trademarks or registered trademarks of their respective companies.

CAUTION
 To ensure correct use of these products, read the "Instruction Manual" prior to use. Failure to follow all safeguards can result in fire, electric shock, or other accidents. Specifications are subject to change without notice.

0-BA03A EN 2108

PATLITE®

GENERAL CATALOG

GENERAL CATALOG



#1 Global Share
 in Signaling Devices







※ 2017, Global Info Research

www.patlite.com





Product Index

Series	Product Name	Page	Series	Product Name	Page			
B	BD-A	Audible Alarm for Panel Mounting	69	L	LR7	Signal Tower	27	
	BDV	MP3 Voice Annunciator for Panel Mounting	70		LS7	Signal Tower	43	
	BK	Audible Alarm for Panel Mounting	71	M	ME-A	Signal Tower	40	
	BKV	MP3 Voice Annunciator for Panel Mounting	72		MES-A	Signal Tower	40	
	BM	Audible Alarm	67		MP	Signal Tower	41	
	BSV	Slim MP3 Voice Annunciator	68		MPS	Signal Tower	41	
	BSV-L	Slim MP3 Voice Annunciator	68	N	NBM	Interface Converter	23	
	C	CLA-A	LED Work Light		86	NE-A	Signal Beacon	57
CLE		LED Work Light	92		NE-IL	IO-Link Signal Beacon	15	
CLK(-A)		LED Work Light	88		NH-FB	Network Monitor Signal Tower	17	
CLN-A		LED Work Light	91		NH-FV	Network Monitor MP3 Voice Annunciator Signal Tower	16	
CWA		LED Work Light	87		P	PFH	Battery-powered Signal Beacon	62
CWF		LED Work Light	85	PHC		Interface Converter	24	
CWK		LED Work Light	90	PHE		Interface Converter with Signal Tower	22	
E		EDLR	Signal Tower	49	R	REL	Signal Beacon	60
	EHS	Audible Alarm Horn	73	RFT		Rotating Beacon with Audible Alarm	82	
	EHV	MP3 Voice Annunciator Horn	74	RFV		Rotating Beacon with MP3 Voice Annunciator	83	
F	FV-127JP	MP3 File Playback Circuit Board	75	RLR		Rotating Beacon	58	
	H	HSST	Signal Tower with Switch Box	39	RT-A	Rotating Beacon with Audible Alarm Horn	79	
K		KES	Rotating Signal Tower	63	RT-VF	Rotating Beacon with MP3 Voice Annunciator Horn	80	
		KESB	Rotating Signal Tower	63	S	SF08 / SF10	Multi-Function Beacon	55
		KJ / KJB	Rotating Signal Tower	65		SKH / SKP / SKS	Rotating Beacon	53
		KJS / KJSB	Rotating Signal Tower	64		SKH-EA	Small Rotating Beacon	62
		KJT	Rotating Signal Tower	81		SL08 / SL10 / SL15	Signal Beacon	51
		KUS	Signal Tower	50		SPB	Speaker	97
		L	LA6	Programmable Multi-color Signal Tower		25	SPL	Speaker
	LA6-POE		Programmable Multi-color Signal Tower	20		SPW	Horn Speaker	97
LFH	Signal Beacon		59	SZ		Optional Parts	93	
LGE	Signal Tower		45	W	WD PRO	Wireless Data Acquisition System	11	
LKEH-FE	Signal Tower with Horn		77		WDR-Z2-PRO	Wireless Data Acquisition System	12	
LKEH-FV	Signal Tower with MP3 Voice Annunciator Horn		77		WDT	Wireless Data Acquisition System	13	
LPT	Warning Light		61		WE	Wall Mount Signal Tower	46	
LR4	Signal Tower		27		WEP	Wall Mount Signal Tower	46	
LR5	Signal Tower		27		WME-D	Wall Mount Signal Tower	47	
LR6	Signal Tower		27					
LR6-IL	IO-Link Signal Tower	14						
LR6-USB	USB-Controlled Signal Tower	19						

INDEX - Product Overview

LAN / USB / PoE / Wireless				
				
Page Number	P. 11	P. 12	P. 13	P. 14
Product Name	Wireless Data Acquisition System			IO-Link Signal Tower
Series	WD PRO	WDR-Z2-PRO	WDT-Z2 (LR/6M/5E)	LR6-IL
Size (mm)	Φ60	120(W)×158(H)×40(D)	Φ40 / Φ50 / Φ60	Φ60
Conformity Standards	CE / RoHS / UL / FCC / KC	CE / RoHS / UL / FCC	CE / RoHS / UL / FCC / KC	CE / RoHS / UL / FCC / KC
IP/NEMA	IP65 / NEMA TYPE 4X, 13	IP20	Conforms to signal tower to be used	
Mounting Location	Indoor	Indoor	Indoor	Indoor
Mounting Direction	Upright	Horizontal / Wall / Ceiling	Upright	Upright
Ambient Temperature	-10°C ~ +50°C	-10°C ~ +50°C	-10°C ~ +50°C	-20°C ~ +50°C
Communication Interface	RS232C	Ethernet (PoE) / USB	-	IO-Link
Protocols and Other Features	-	Modbus TCP / Socket	-	-
Luminous Color	-	-	-	Red, Amber, Green, Blue, White, and Multi-color (7 colors)
Light Pattern	-	-	-	Continuous on / Blinking / Flashing
Modularity of LED Unit	-	-	-	✓
Flashes per Minute	-	-	-	60
Sound Pressure (dB)	-	-	-	84
Number of Alarm Sounds	-	-	-	4
Number of Inputs (bit/binary)	15	-	-	-
Remarks	-	Database compatible	-	WDT-Z2 mountable
LAN / USB / PoE / Wireless				
				
Page Number	P. 15	P. 16	P. 17	P. 19
Product Name	IO-Link Signal Beacons	Network Monitor MP3 Voice Annunciator Signal Tower	Network Monitor Signal Tower	USB Signal Tower
Series	NE-IL	NH-FV	NH-FB	LR6-USB
Size (mm)	Φ56	Φ40 / Φ60	Φ40 / Φ60	Φ60
Conformity Standards	CE / RoHS / UL / FCC / KC	CE / RoHS / UL / FCC / KC	CE / RoHS / UL / FCC / KC	CE / RoHS / UL / FCC / KC
IP/NEMA	IP65 / NEMA TYPE 4X, 13	IP20	IP20	IP65
Mounting Location	Indoor	Indoor	Indoor	Indoor
Mounting Direction	Upright	Upright	Upright	Upright
Ambient Temperature	-25°C ~ +60°C	0°C ~ +40°C	0°C ~ +40°C	-20°C ~ +50°C
Communication Interface	IO-Link	Ethernet	Ethernet	USB 2.0
Supported Protocols	-	HTTP / RSH / PING / SNMP / SLMP / SOCKET	HTTP / RSH / PING / SNMP / SLMP / SOCKET	DLL, Linux
Luminous Color	Red, Amber, Green, Blue, Cyan, Purple, White	Red, Amber, Green, Blue, White	Red, Amber, Green, Blue, White	Red, Amber, Green
Light Pattern	Continuous on / Blinking / Pulse	Continuous on / Blinking / Flashing	Continuous on / Blinking / Flashing	Continuous on / 4 patterns
Modularity of LED Unit	-	✓	✓	✓
Flashes per Minute	Determined by programming	60 / 120	60 / 120	-
Sound Pressure (dB)	88	88 (Adjustable volume)	80/70	80/70 (Adjustable volume)
Number of Alarm Sounds	8	70	4	4
Number of Inputs (bit/binary)	-	4	-	-
Number of Outputs	Touch sensor	1	-	-
Remarks	-	Sends e-mail alerts / Cloud compatible	Sends e-mail alerts	-

LAN / USB / PoE / Wireless


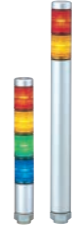


				
Page Number	P.20	P.22	P.23	P.24
Product Name	Multi-color LED Signal Tower	Interface Converter with Signal Tower	Interface Converter	Interface Converter
Series	LA6-POE	PHE-3FB3N	NBM-D88NN	PHC-D08N
Size (mm)	Φ60	Φ40	266(W)×42(H)×137.5(D)	117(W)×28(H)×100(D)
Conformity Standards	CE / RoHS / UL / FCC / KC	CE / RoHS / UL / FCC / KC	CE / RoHS / FCC	CE / RoHS / UL / FCC
IP/NEMA	IP20 (stationary mounting) / IP54 (direct mounting)	IP20	IP20	IP20
Mounting Location	Indoor	Indoor	Indoor	Indoor
Mounting Direction	Upright / Inverted	Upright	Upright	Upright
Ambient Temperature	-10°C ~ +50°C	0°C ~ +40°C	0°C ~ +40°C	0°C ~ +40°C
Communication Interface	Ethernet (PoE)	USB 2.0 / RS-232C	Ethernet	USB 2.0 / RS-232C
Protocols and Other Features	HTTP / Modbus TCP SOCKET	Original protocol	HTTP / RSH / PING / SNMP / SOCKET	-
Luminous Color	Multi-color (21 colors)	Red, Amber, Green	-	-
Light Pattern	Continuous on / Blinking / Flashing	Continuous on / Blinking	-	-
Modularity of LED Unit	-	✓*	-	-
Flashes per Minute	30 / 60 / 120	37.5 / 75	-	-
Sound Pressure (dB)	85	80	-	-
Number of Alarm Sounds	11 (Adjustable volume)	4 (Adjustable volume)	-	-
Number of Inputs (bit/binary)	7 / 31	-	8	-
Number of Outputs	-	-	8	8
Remarks	-	-	Sends e-mail alerts	-

* Cannot add additional tiers.

Signal Tower

			
Page Number	p.25	p.27	p.39
Product Name	Multi-color LED Signal Tower	Signal Tower	Signal Tower with Switch Box
Series	LA6	LR	HSST
Size (mm)	Φ60	Φ40 / Φ50 / Φ60 / Φ70	Φ50
Conformity Standards	CE / RoHS / UL / FCC / KC / PSE	CE / RoHS / UL / FCC / KC	RoHS / FCC
IP/NEMA	IP65 / IP54	IP65 / NEMA TYPE 4X, 13	IP54 (Signal tower only)
Mounting Location	Indoor	Indoor	Indoor
Mounting Direction	Upright	Upright	Upright
Ambient Temperature	-25°C ~ +60°C	-20°C ~ +50°C	0°C ~ +40°C
Luminous Color	Multi-color (21 colors)	Red, Amber, Green, Blue, White, and Multi-color (7 colors)	Red, Amber, Green
Light Pattern	Continuous on / Blinking / Pulse	Continuous on / Blinking	Continuous on
Modularity of LED Unit	-	✓	✓
Flashes per Minute	60	60	-
Sound Pressure (dB)	85 (-5, -10 Sound reduction available)	85/85/88/90 (-10 Sound reduction available)	-
Number of Alarm Sounds	11	4	-
Remarks	-	Compatible with Φ40 / Φ50 / Φ60 WDT-Z2	Compatible with Φ50 WDT-Z2

Signal Tower

				
Page Number	P.40	P.41	P.43	P.45
Product Name	Signal Tower			
Series	ME-A / MES-A	MP / MPS	LS7	LGE
Size (mm)	Φ25	Φ30	Φ70	Φ100
Conformity Standards	CE / RoHS / UL	CE / RoHS / UL	CE / RoHS / UL	CE / RoHS
IP/NEMA	IP42	IP65	IP65 / IP54	IP54
Mounting Location	Indoor	Indoor	Indoor	Indoor
Mounting Direction	Upright	Upright	Upright	Upright
Ambient Temperature	-10°C ~ +55°C	-30°C ~ +60°C	-30°C ~ +60°C	-30°C ~ +60°C
Luminous Color	Red, Amber, Green, Blue, White	Red, Amber, Green, Blue, White	Red, Amber, Green, Blue, White	Red, Amber, Green, Blue, White
Light Pattern	Continuous on	Continuous on	Continuous on / Blinking	Continuous on / Blinking
Modularity of LED Unit	✓	✓	-	✓
Flashes per Minute	-	-	60	60
Sound Pressure (dB)	-	-	85	85
Number of Alarm Sounds	-	-	2 (Adjustable volume)	1
Remarks	-	-	-	-

Signal Tower

				
Page Number	P.46	P.47	P.49	P.50
Product Name	Wall Mount Signal Tower		Signal Tower	
Series	WEP/WE	WME-D	EDLR	KUS
Size (mm)	W90×D37.5	W70×D80	Φ228	□70
Conformity Standards	CE / RoHS / UL	CE / RoHS / UL / FCC / KC	RoHS	RoHS
IP/NEMA	IP65 / IP54	IP54	IP66	IP54
Mounting Location	Indoor	Indoor	Indoor / Outdoor	Indoor
Mounting Direction	Upright, Facing up or down, Sideways	Upright, Facing up or down, Sideways	Upright	Upright
Ambient Temperature	-30°C ~ +60°C	-10°C ~ +55°C	-20°C ~ +50°C	-30°C ~ +60°C
Luminous Color	Red, Amber, Green, Blue, White	Red, Amber, Green, Blue, White	Red, Amber, Green	Red, Amber, Green, Blue, White
Light Pattern	Continuous on / Blinking	Continuous on / Blinking	Continuous on / Blinking	Continuous on / Blinking
Modularity of LED Unit	-	✓	-	✓
Flashes per Minute	60	60	60	60
Sound Pressure (dB)	90	93	-	80
Number of Alarm Sounds	2	2	-	1
Remarks	-	-	-	-

Beacons



Page Number	P.51	P.53	P.55	P.57
Product Name	Signal Beacon	Rotating Beacon	Multi-Function Beacon	Signal Beacon
Series	SL	SK	SF	NE-A
Size (mm)	Φ80 / Φ100 / Φ150	Φ80 / Φ100 / Φ150	Φ80 / Φ100	Φ56
Light Source	LED	LED	LED	LED
Conformity Standards	CE / RoHS / UL / FCC / KC EAC / PSE	CE / RoHS / UL / FCC / KC EAC / PSE	CE / RoHS / UL / FCC / KC EAC / PSE	CE / RoHS / UL / FCC / KC
IP/NEMA	IP23 / IP66 NEMA TYPE 4X, 13	IP23	IP23 / IP66 NEMA TYPE 4X, 13	IP65 / IP67 NEMA TYPE 4X, 13
Mounting Location	Indoor / Outdoor	Indoor / Outdoor	Indoor / Outdoor	Indoor
Mounting Direction	Indoor: Upright, Horizontal, Inverted; Outdoor: Upright	Indoor: Upright, Horizontal, Inverted; Outdoor: Upright	Indoor: Upright, Horizontal, Inverted; Outdoor: Upright	All
Ambient Temperature	-20°C ~ +50°C	-10°C ~ +50°C	-20°C ~ +50°C	-25°C ~ +60°C
Luminous Color	Red, Amber, Green, Blue	Red, Amber, Green, Blue	Red, Amber, Green, Blue	Red, Amber, Green, Blue, White, and Multi-color (7 colors)
Light Pattern	Continuous on / Blinking / Flashing	Motorized rotation	22 light patterns	Continuous on / Blinking
Flashes per Minute	Blinking: 180, Triple flash: 120	120	180/120/60; Single: 60; Double: 90; Triple: 120; Pulse: 20;	60 (multi-color type only)
Sound Pressure (dB)	88	88	88	88
Number of Alarm Sounds	1	1	1	2
Remarks	-	-	-	Touch sensor

Beacons



Page Number	P.58	P.59	P.60	P.61
Product Name	Rotating Beacon	Signal Beacon	Signal Beacon	Warning Light
Series	RLR	LFH	REL	LPT
Size (mm)	Φ162	Φ100	Φ228	86(W)×28(H)×13.5(D) 114.4(W)×43.4(H)×13.5(D)
Light Source	LED	LED	LED	LED
Conformity Standards	CE / RoHS	CE / RoHS / UL / FCC	RoHS	CE / RoHS / FCC / KC
IP/NEMA	IP66	IP66	IP65	IP68 / TYPE,4X,13
Mounting Location	Indoor / Outdoor	Indoor / Outdoor	Indoor / Outdoor	Indoor / Outdoor
Mounting Direction	Upright, Inverted	Indoor: Upright, Horizontal, Inverted; Outdoor: Upright	Indoor: Upright, Horizontal, Inverted; Outdoor: Upright	All Directions
Ambient Temperature	-30°C ~ +70°C (Except AC specification)	-30°C ~ +70°C (Except AC specification)	-20°C ~ +55°C	-30°C ~ +75°C
Luminous Color	Red, Amber, Green, Blue	Red, Amber, Green, Blue, White	Red, Amber	Red, Amber, Green, Blue
Light Pattern	Motorized rotation	Flashing	Triple flash	Flashing
Flashes per Minute	105	110/140	110	400
Remarks	-	-	-	Vibration resistance 90 m/s

Beacons



Page Number	P.62	P.62
Product Name	Battery-powered Signal Beacon	Small Rotating Beacon
Series	PFH	SKH-EA
Size (mm)	Φ101	Φ100
Light Source	LED	Incandescent bulb
Conformity Standards	RoHS	CE / RoHS
IP/NEMA	IP55	IP23
Mounting Location	Indoor / Outdoor	Indoor / Outdoor
Mounting Direction	Upright, Horizontal	Indoor: Upright, Horizontal, Inverted; Outdoor: Upright
Ambient Temperature	-10°C ~ +50°C	-30°C ~ +80°C (Except AC specification)
Luminous Color	Red, Amber	Red, Amber, Green, Blue
Light Pattern	Flashing	Motorized rotation
Flashes per Minute	46 / 92	170
Remarks	-	-

Cube Tower



Page Number	P.63	P.64	P.65
Product Name	Rotating Signal Tower		
Series	KES	KJS	KJ
Size (mm)	□82	□82	□116
Light Source	LED	Incandescent bulb	Incandescent bulb
IP/NEMA	IP23	IP23	IP23
Mounting Location	Indoor / Outdoor	Indoor / Outdoor	Indoor / Outdoor
Mounting Direction	Upright	Upright	Upright
Ambient Temperature	-30°C ~ +60°C	-30°C ~ +60°C	-30°C ~ +60°C
Luminous Color	Red, Amber, Green	Red, Amber, Green, Blue	Red, Amber, Green, Blue
Light Pattern	Motorized rotation	Motorized rotation	Motorized rotation
Rotations per Minute	100	160	130
Sound Pressure (dB)	85	85	85
Number of Alarm Sounds	1	1	1

Audible Alarms and MP3 Voice Annunciators

				
Page Number	P.67	P.68	P.69	P.70
Product Name	Audible Alarm	Slim MP3 Voice Annunciator	Audible Alarm for Panel Mounting	MP3 Voice Annunciator for Panel Mounting
Series	BM	BSV / BSV-L	BD-A	BDV
Size (mm)	Φ30 (Panel hole size)	□75	□80	□80
Conformity Standards	CE*1 / RoHS	CE / RoHS / UL / FCC	CE*2 / RoHS / UL*2 / FCC*2	CE*2 / RoHS
IP/NEMA	IP30 / IP34	IP54	IP54	IP54
Mounting Location	Indoor	Indoor / Outdoor	Indoor	Indoor / Outdoor
Mounting Direction	Indoor: Upright, Horizontal, Inverted; Outdoor: Upright	Indoor: Upright, Horizontal, Inverted; Outdoor: Upright	Upright, Sideways, Inverted	Indoor: Upright, Horizontal, Inverted; Outdoor: Upright
Ambient Temperature	-10°C ~ +60°C	-10°C ~ +50°C	-20°C ~ +55°C	-10°C ~ +50°C
Sound Pressure (dB)	75 / 80 / 85 / 90	87 (Adjustable volume)	90 (Adjustable volume)	87 (Adjustable volume)
Number of Alarm Sounds or Alarm Recording Length	2	15 · 63 seconds / 520 seconds	32	63.5 seconds
Number of Inputs (bit/binary)	2	4 / 15	4	4 / 15
Remarks	-	-	-	-





Audible Alarms and MP3 Voice Annunciators

				
Page Number	P.71	P.72	P.73	P.74
Product Name	Audible Alarm for Panel Mounting	MP3 Voice Annunciator for Panel Mounting	Audible Alarm Horn	MP3 Voice Annunciator Horn
Series	BK	BKV	EHS	EHV
Size (mm)	□120	□120	166.5(W) × 149.5(H) × 198.2(D) (Horizontal mounting)	166.5(W) × 149.5(H) × 198.2(D) (Horizontal mounting)
Conformity Standards	CE*2 / RoHS	CE*2 / RoHS	CE*1 / RoHS*1 / UL*2 FCC*2 / KC*2	CE*1 / RoHS*1 / UL*2 FCC*2 / KC*2
IP/NEMA	IP54	IP54	IP65	IP65
Mounting Location	Indoor / Outdoor	Indoor / Outdoor	Indoor / Outdoor	Indoor / Outdoor
Mounting Direction	Indoor: Upright, Horizontal, Inverted; Outdoor: Upright	Indoor: Upright, Horizontal, Inverted; Outdoor: Upright	Upright, Sideways, Inverted	Upright, Sideways, Inverted
Ambient Temperature	-20°C ~ +50°C	-10°C ~ +50°C	-20°C ~ +50°C	-20°C ~ +50°C
Sound Pressure (dB)	95 (Adjustable volume)	95 (Adjustable volume)	110 (Adjustable volume)	Electronic sound 110: voice: 105 (Adjustable volume)
Number of Alarm Sounds or Alarm Recording Length	32	63 seconds	32	63 / 220 seconds
Number of Inputs (bit/binary)	8 / 32	5 / 31	8 / 32	8 / 63
Output	-	-	-	-
Remarks	-	-	-	-

* 1 24V AC / DC only * 2 12-24V DC only

Audible Alarms and MP3 Voice Annunciators

Hybrid Signaling Devices

				
Page Number	P.75	P.77	P.77	P.79
Product Name	MP3 File Playback Circuit Board	Signal Tower with Horn	Signal Tower with MP3 Voice Annunciator Horn	Rotating Beacon with Audible Alarm Horn
Series	FV-127JP	LKEH-FE	LKEH-FV	RT-A
Size (mm)	144(W) × 100(D)	Φ100	Φ100	Φ162
Light Source	-	LED	LED	Incandescent bulb
Conformity Standards	RoHS	CE / RoHS / UL	CE / RoHS / UL	-
IP/NEMA	-	IP53	IP53	IP23
Mounting Location	-	Indoor / Outdoor	Indoor / Outdoor	Indoor / Outdoor
Mounting Direction	-	Upright	Upright	Upright
Ambient Temperature	-10°C ~ +50°C	-10°C ~ +50°C	-10°C ~ +50°C	-20°C ~ +50°C
Luminous Color	-	Red, Amber, Green, Blue, White	Red, Amber, Green, Blue, White	Red, Amber, Green, Blue
Light Pattern	-	Continuous on / Blinking	Continuous on / Blinking	Motorized rotation
Modularity of LED Unit	-	✓	✓	-
Flashes per Minute	-	60	60	115 / 105 / 95
Sound Pressure (dB)	Adjustable volume	105 (Adjustable volume)	105 (Adjustable volume)	105 (Adjustable volume)
Number of Alarm Sounds or Alarm Recording Length	8 / 240 min	32	63 seconds	32
Number of Inputs (bit/binary)	7 / 127	8 / 32	5 / 31	8 / 32
Remarks	4W	-	-	-

Hybrid Signaling Devices

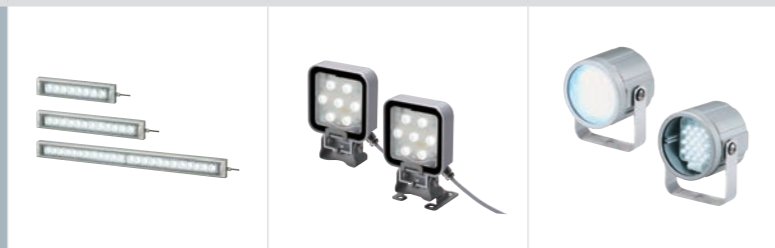
				
Page Number	P.80	P.81	P.82	P.83
Product Name	Rotating Beacon with MP3 Voice Annunciator Horn	Rotating Signal Tower	Rotating Beacon with Audible Alarm	Rotating Beacon with MP3 Voice Annunciator
Series	RT-VF	KJT	RFT	RFV
Size (mm)	Φ162	□116	Φ100	Φ100
Light Source	Incandescent bulb	Incandescent bulb	LED	LED
Conformity Standards	-	-	CE / RoHS	CE / RoHS
IP/NEMA	IP23	IP23	IP54	IP54
Mounting Location	Indoor / Outdoor	Indoor / Outdoor	Indoor / Outdoor	Indoor / Outdoor
Mounting Direction	Upright	Upright	Indoor: Upright, Horizontal, Inverted; Outdoor: Upright	Indoor: Upright, Horizontal, Inverted; Outdoor: Upright
Ambient Temperature	-10°C ~ +50°C	-20°C ~ +45°C	-10°C ~ +50°C	-10°C ~ +50°C
Luminous Color	Red, Amber, Green, Blue	Red, Amber, Green, Blue	Red, Amber, Green, Blue	Red, Amber, Green, Blue
Light Pattern	Motorized rotation	Motorized rotation	Motorized rotation	Motorized rotation
Rotations per Minute	115 / 105 / 95	120	115	115
Sound Pressure (dB)	105 (Adjustable volume)	90 (Adjustable volume)	90 (Adjustable volume)	95 (Adjustable volume)
Number of Alarm Sounds or Alarm Recording Length	63 seconds	32 types	32 types	63.5 seconds
Number of Inputs (bit/binary)	4 / 15	8 / 32	8 / 32	4 / 15
Remarks	-	-	-	-

LED Illumination

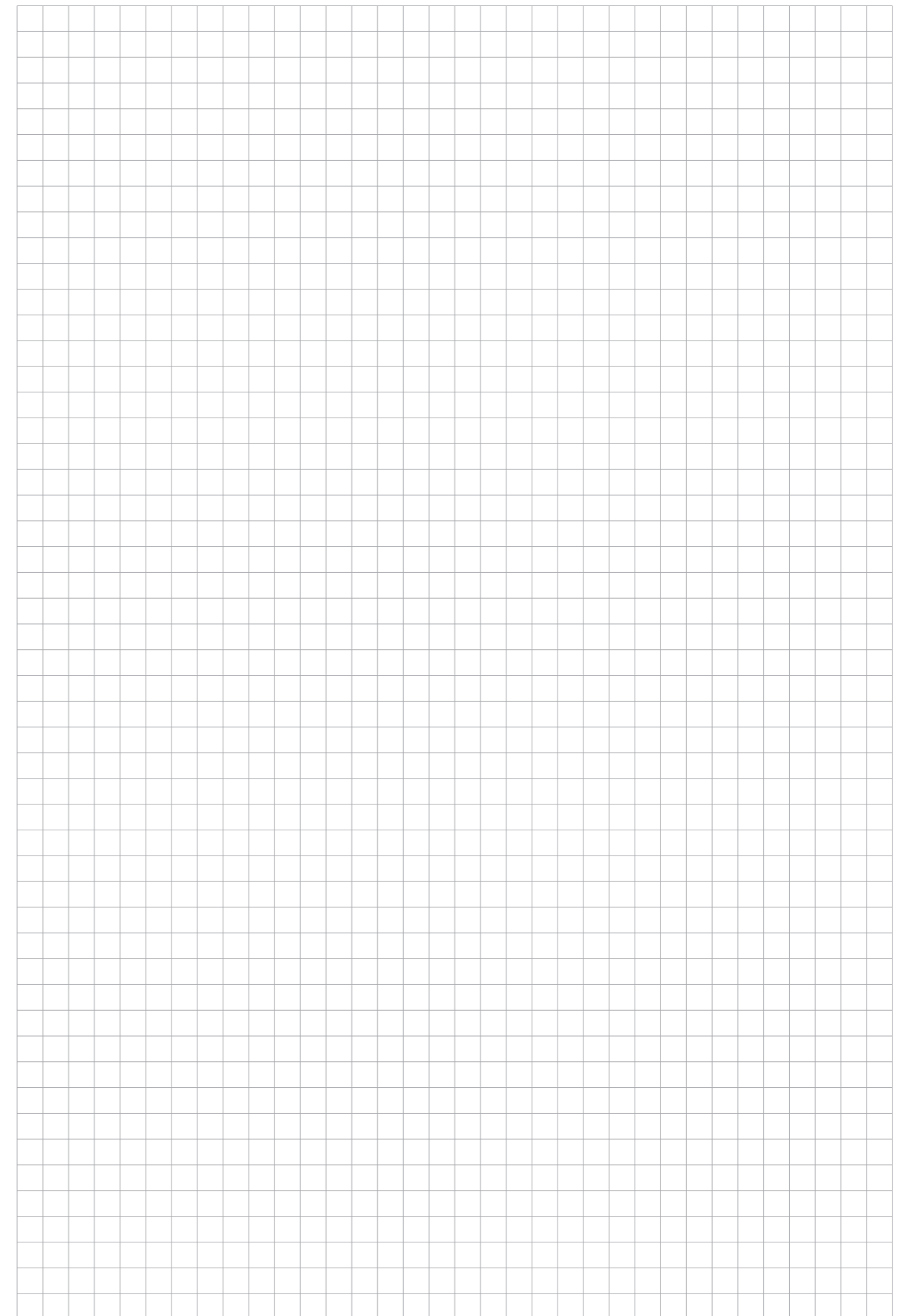


Page Number	P.85	P.86	P.87	P.88
Product Name	LED Work Light	LED Work Light	LED Work Light	LED Work Light
Series	CWF	CLA-A	CWA	CLK / CLK-A
Size (mm)	300 / 600 / 900	100 / 200 / 300 / 600 / 900 / 1200	300 / 600 / 900	200 / 300 / 600
Conformity Standards	CE / RoHS / UL / FCC	CE / RoHS / UL	CE / RoHS / UL	CE / RoHS / UL
IP/NEMA	IP20	IP66 / IP67 / IP69K	IP65	IP66G / IP67G / IP69K
Mounting Location	Indoor	Indoor	Indoor	Indoor
Mounting Direction	All	All	All	All
Ambient Temperature	-20°C ~ +60°C	-40°C ~ +60°C	-30°C ~ +60°C	-40°C ~ +60°C
Luminous Color	Daylight	Daylight / Amber	Daylight	Daylight / Natural white
Remarks	-	-	-	-

LED Illumination



Page Number	P.90	P.91	P.92
Product Name	LED Work Light	LED Work Light	LED Work Light
Series	CWK	CLN-A	CLE-24
Size (mm)	200 / 300 / 600	□85	Φ82
Conformity Standards	CE / RoHS / UL	CE / RoHS / UL	CE / RoHS
IP/NEMA	IP66G / IP67G	IP66G / IP67G / IP69K	IP65F
Mounting Location	Indoor	Indoor	Indoor / Outdoor
Mounting Direction	All	All	All
Ambient Temperature	-10°C ~ +50°C	-40°C ~ +60°C	-25°C ~ +60°C
Luminous Color	Daylight	Daylight	-
Remarks	-	-	-



Wireless Data Acquisition System

WD PRO New

- Φ60 mm
- Indoor Use
- Upright Mounting
- Ambient Temperature -10°C~+50°C
- RS-232C
- 8 Inputs
- CE
- RoHS 10
- UL
- FCC
- KC
- IP65



WD PRO Transmitter
WD PRO Contact Input - Serial Communication Base Unit

Model Number Configuration

WDT-6LR-Z2-PRO

T=Transmitter ①

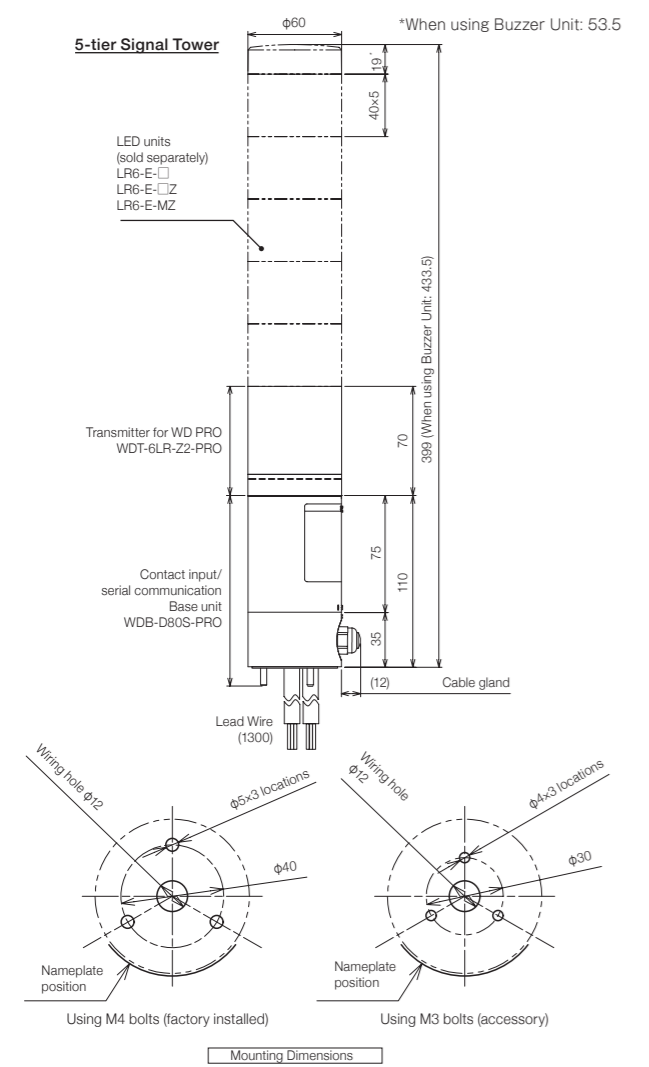
① Size
6 = Φ60 mm

WDB-D80S-PRO

B=Base Unit ① ② ③ ④

① Method
D = Digital 8 = 8 points 0 = None
② External contact input points
8 = 8 points
③ External contact output points
0 = None
④ Communication Method
S = Serial communication

Dimensions (mm)



Product List

Model Number	Rated Voltage	Type	Power Consumption	Mass
WDB-D80S-PRO	24V DC	Base Unit	2.64W	0.3kg
WDT-6LR-Z2-PRO	24V DC	Transmitter	2.7W	0.09kg

Available Countries / Regions

Japan / U.S. / Europe / China / Korea / Taiwan / Thailand / Indonesia / Mexico

Optional Parts

For details refer to P. 93 to P. 98

Product Name	Model Number
Serial cable	WDX-SC01
LED Unit	LR6-E-R/Y/G/B/C
LED Unit (clear Lens)	LR6-E-RZ/YZ/GZ/BZ
LED Unit (multi-color)	LR6-E-MZ
Buzzer Unit	LR6-BW
Upper Pole Bracket	SZP-004W
Pole	POLE-100/300/800A21+00109
Pole Mount Bracket	SZ-016A
Pole Mount Bracket	SZ-010
Wall Mount Bracket	SZK-002W
Wall Mount Bracket	SZK-003W
Wall Mount Bracket	SZK-001U

Wireless Data Acquisition System

WDR-Z2-PRO New

- Indoor Use
- Horizontal Mounting
- Wall/Ceiling Mounting
- Ambient Temperature -10°C~+50°C
- Ethernet
- USB Bus Power
- PoE
- SOCKET
- Modbus /TCP
- Database Collaboration
- CE
- RoHS 10
- UL
- FCC
- IP20



WD System Setup Software



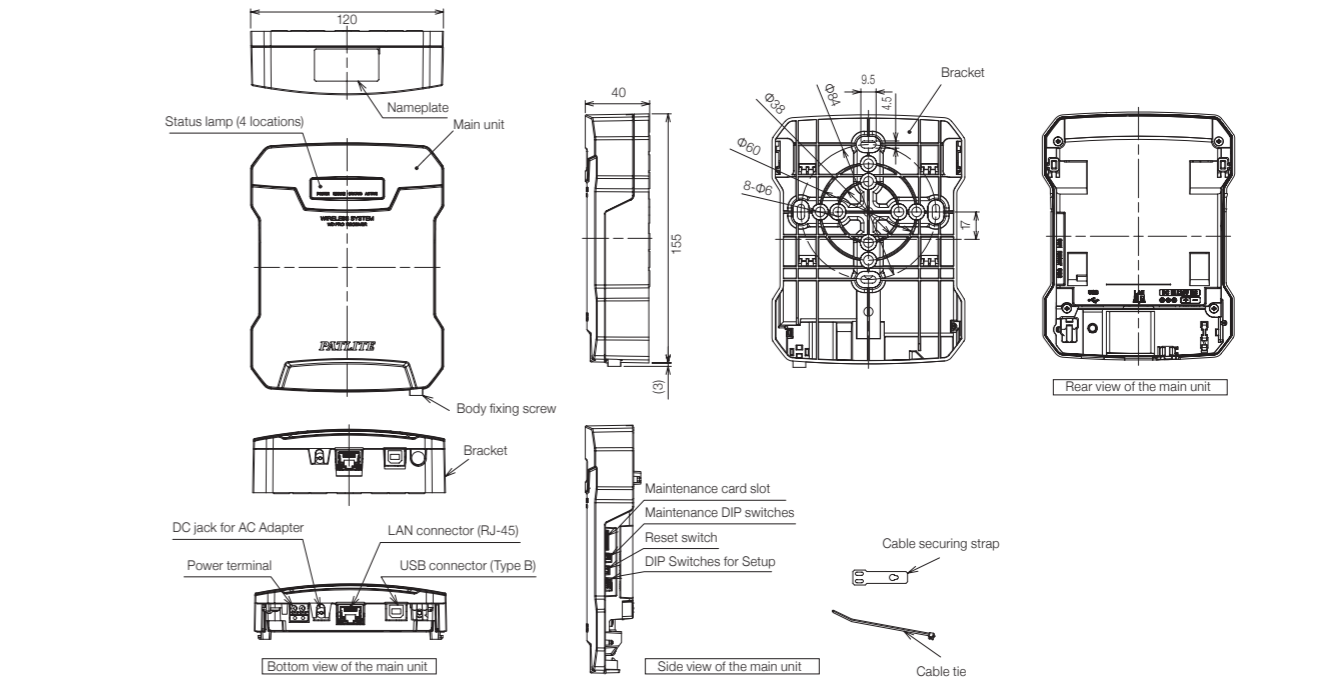
WD PRO Receiver

Model Number Configuration

WDR-LE-Z2-PRO-L

① Software
None = Standard
L = Lite version

Dimensions (mm)



Product List

Model Number	Rated Voltage	AC Adapter	Software Specification	Power Consumption	Mass
WDR-LE-Z2-PRO	24V DC	None	Standard	4.5W	0.3kg
WDR-LE-Z2-PRO-L			Lite (no web setup tool)		

Optional Parts

For details refer to P. 93 to P. 98

Product Name	Model Number
System operation software*	WDS-WIN01
Global AC Adapter	ADP-001

Available Countries / Regions

Japan, United States, Canada, Europe, China, Thailand, Vietnam, Korea, Taiwan, Philippines, Singapore, Malaysia, Indonesia, Mexico (as of April 2021)

* Free version is limited to changing the transmitter and receiver settings. Data collection only available with paid license.

Wireless Data Acquisition System

WD-Z2



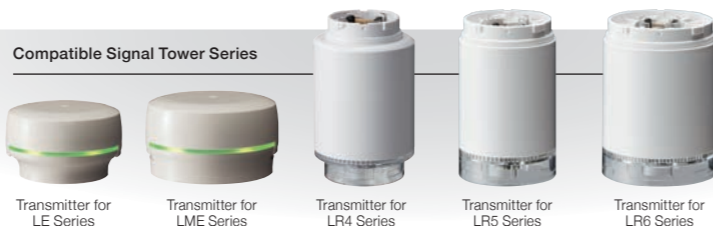
WD System Setup Software

Φ40 mm
Φ50 mm
Φ60 mm
Indoor Use
Upright Mounting
Ambient Temperature -10°C~+50°C

CE
RoHS 10
UL
FCC
IP65
NEMA TYPE 4X,13

*1. WDR-L(E)-Z2 excluded
*2. WDR-L (E)-Z2: IP20

Compatible Signal Tower Series



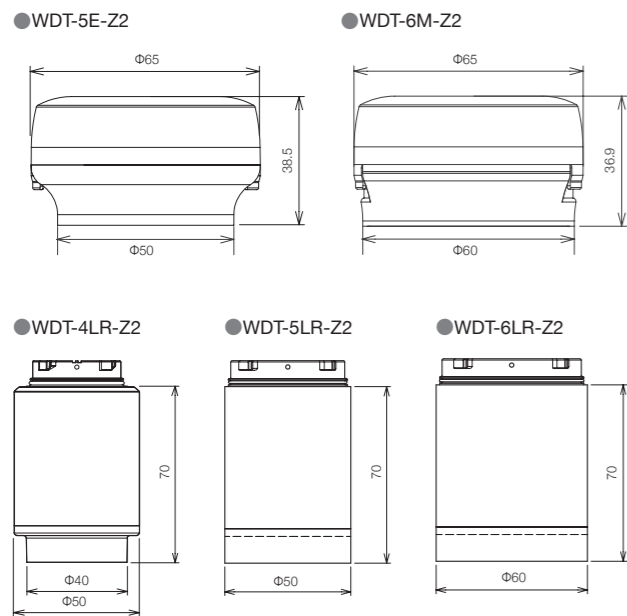
Model Number Configuration

WDT-6LR-Z2

①

① Size · Compatible Signal Tower Series
4LR = Φ40 · LR4 Series
5LR = Φ50 · LR5 Series
6LR = Φ60 · LR6 Series
5E = Φ50 · LE Series
6M = Φ60 · LME Series

Dimensions (mm)



Optional Parts

For details refer to P. 93 to P. 98

Product Name	Model Number
System operation software*	WDS-WIN01
Global AC Adapter	ADP-001
Setup Kit (Φ40mm)	WDX-4LRB
Setup Kit (Φ50mm)	WDX-5LRB
Setup Kit (Φ60mm)	WDX-6LRB

* Free version is limited to changing the transmitter and receiver settings. Data collection only available with paid license.

Available Countries / Regions

WDT-5E / 6M-Z2	WDT-4LR / 5LR / 6LR-Z2
Japan / U.S. / Europe / China / Taiwan / Thailand / Philippines / Vietnam	Japan / U.S. / Europe / China / Korea / Taiwan / Thailand / Indonesia / Philippines / Vietnam / Mexico / Canada / Malaysia / Singapore

Product List

Model Number	Rated Voltage	Type	Size (mm)	Compatible Signal Tower Series	Power Consumption	Mass
WDT-5E-Z2	24V DC	Transmitter	Φ50	LE	0.8W	0.052kg
WDT-6M-Z2	24V DC	Transmitter	Φ60	LME	0.8W	0.052kg
WDT-4LR-Z2	24V DC	Transmitter	Φ40	LR4	1.4W	0.070kg
WDT-5LR-Z2	24V DC	Transmitter	Φ50	LR5	1.4W	0.074kg
WDT-6LR-Z2	24V DC	Transmitter	Φ60	LR6	1.4W	0.085kg

IO-Link Signal Tower

LR6-IL New



WD Compatible (pg. 13)
* LED unit up to 3 tiers

Φ60 mm
LED
Indoor Use
Upright Mounting
Ambient Temperature -20°C~+50°C
IO-Link
Multi-color LED (7 colors)
Change Number of Tiers

Continuous On
60 Flashes per Minute
84dB
4 Alarm Sounds
CE
RoHS 10
UL
FCC
KC

IP65
NEMA TYPE 4X,13



Model Number Configuration

LR6-3ILWMNW-RYG

① ② ③ ④ ⑤ ⑥

① Number of tiers
None = Body Unit only
3 = 3 tiers

② Extended function
IL = IO-Link

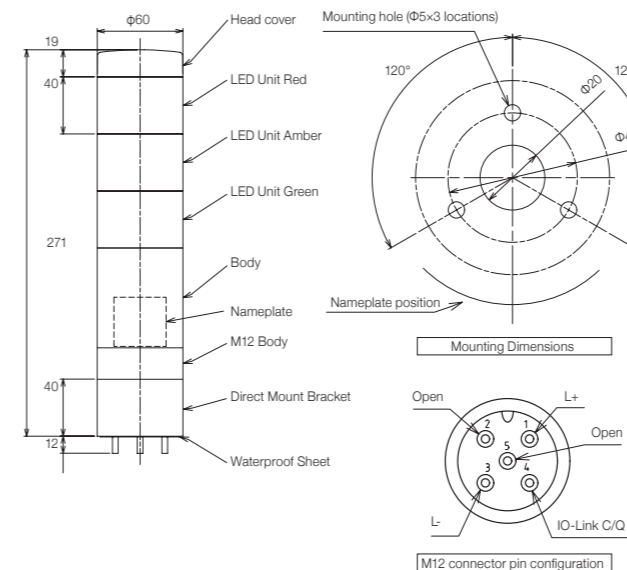
③ Mounting/Wiring spec
WM = Direct mounting/M12 connector

④ Buzzer unit*
N = None
* For Buzzer, use Buzzer Unit LR6-BW

⑤ Body Color
W = Off-white

⑥ Luminous Color
None = Body Unit only
R = Red
Y = Amber
G = Green * From top to bottom

Dimensions (mm)



Specification

Communication Specification	IO-Link
Alarm Sound	Select from 4 patterns when using LR6-BW
Volume control	Reduce sound with DIP-switch when using LR6-BW

Optional Parts

For details refer to P. 93 to P. 98

Product Name	Model Number
LED Unit	LR6-E-R/Y/G/B/C
LED Unit (clear lens)	LR6-E-RZ/YZ/GZ/BZ
Multi-color LED Unit	LR6-E-MZ
Buzzer Unit	LR6-BW
Upper Pole Bracket	SZP-004W
Pole	POLE-100/300/800A21+O0109
Mounting Bracket	SZ-016A
Mounting Bracket	SZ-010
Mounting Bracket	SZW-002W
Wall Mount Bracket	SZK-001U
Wall Mount Bracket	SZK-003W

Product List

Model Number	Number of Tiers	Rated Voltage	Audible Alarm	Luminous Color	Power Consumption	Mass
LR6-3ILWMNW-RYG	3	24V DC	None	Red, Amber & Green	5W	0.38kg
LR6-ILWMNW	0 (body unit)			None		0.2kg

IO-Link Signal Beacon

NE-IL

New



- Φ56 mm LED Indoor Use Upright Mounting Ambient Temperature -25°C~+60°C IO-Link Multi-color LED (7 colors)
- Continuous On Blinking Flash Pulse 88dB 8 Alarm Sounds Touch Sensor
- CE RoHS 10 UL FCC ICES KC IP65 NEMA TYPE 4X,13

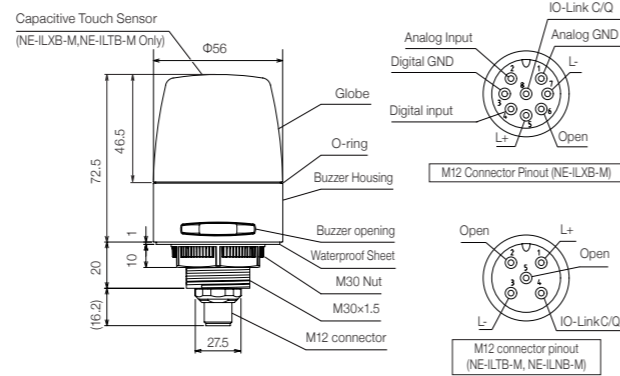
Model Number Configuration

Dimensions (mm)

NE-ILXB-M

- 1
- 2
- 3

- ① Touch Sensor
T = With touch sensor
N = No touch sensor
X = With touch sensor and digital / analog input
- ② Buzzer
B = Buzzer
- ③ LED Color
M = Multi Color



Product List

Model Number	Rated Voltage	Touch Sensor	Digital / Analog Input	Audible Alarm	Luminous Color	Power Consumption	Mass
NE-ILNB-M	24V DC	None	None	Yes	Multi-color (Red, Amber, Green, Blue, White, Purple, Cyan)	2.4W	0.10kg
NE-ILTB-M		Yes	None				
NE-ILXB-M		Yes	Yes				

Specification

Communication Specification	IO-Link
Alarm Sound	Select from 8 patterns
Volume Control	Control with IO-Link

Optional Parts

For details refer to P. 93 to P. 98

Product Name	Model Number
Pole Bracket	NE-001D
Wall Mount Bracket	NE-002D

Network Monitor MP3 Voice Annunciator Signal Tower

NH-FV



- LED Indoor Use Upright Mounting Ambient Temperature 0°C~+40°C Ethernet SOCKET 4 Inputs 1 Output HTTP Command RSH
- PING SNMP SLMP E-mail Alerts Continuous On 60 Flashes per Minute 120 Flashes per Minute 88dB 70 Alarm Sounds
- CE RoHS 10 FCC UL IP20



Model Number Configuration

Dimensions (mm)

NHL-3FV2N-RYG

- 1
- 2
- 3
- 4

- ① Size P = Φ40 L = Φ60
- ② Tiers 1 = 1 tier 2 = 2 tiers 3 = 3 tiers 4 = 4 tiers 5 = 5 tiers
- ③ AC Adapter None = AC Adapter included W* = AC Adapter and plug adapters included N* = AC Adapter not included
- ④ Luminous Color 1 = 1 tier: R / Y / G 2 = 2 tiers: RY / RG 3 = 3 tiers: RYG 4 = 4 tiers: RYGB 5 = 5 tiers: RYGBG

Specification

Protocols (Physical layer -Application layer)	Physical layer: Ethernet (IEEE802.3 compliant) 10BASE-T/100BASE-TX (auto-negotiation, full-duplex/half-duplex) Data link layer: CSMA/CD Network layer: IP/ICMP/ARP Transport layer: TCP/UDP Application layer: HTTP/SMP/SNMP/RSH/NTP/POP/DNS/SOCKET/DHCP/SLMP
Alarm Sound	4 patterns (short intermittent beeps / slow intermittent beeps / 2 short intermittent beeps / continuous beep)
Playback Mode	Priority playback/Memory playback after input
Volume Control	Volume adjustment knob / Analog volume settings from device setup browser

Optional Parts

For details refer to P. 93 to P. 98

Product Name	Model Number
Wall Mount Bracket	NH-WST2
Tint Film	NHL-TF (for NHL-FV2/FB2 types)
	NHP-TF (for NHP-FV2/FB2 and PHE-3FB3 types)

Product List

Model Number	Size (mm)	Number of Tiers	Rated Voltage	Message Recording	AC Adapter	Luminous Color	Power Consumption	Mass *2
NHP-3FV2-RYG	Φ40	3	100-240V AC *1	Preset sounds + User programmable capability	Yes	Red, Amber, Green	6.5W	1.02 kg
NHP-3FV2W-RYG	Φ40	3	100-240V AC *1	Preset sounds + User programmable capability	Yes	Red, Amber, Green	6.5W	1.02 kg
NHP-3FV2N-RYG	Φ40	3	100-240V AC *1	Preset sounds + User programmable capability	None	Red, Amber, Green	6.5W	1.02 kg
NHL-3FV2-RYG	Φ60	3	100-240V AC *1	Preset sounds + User programmable capability	Yes	Red, Amber, Green	6.5W	1.15 kg
NHL-3FV2W-RYG	Φ60	3	100-240V AC *1	Preset sounds + User programmable capability	Yes	Red, Amber, Green	6.5W	1.15 kg
NHL-3FV2N-RYG	Φ60	3	100-240V AC *1	Preset sounds + User programmable capability	None	Red, Amber & Green	6.5W	1.15 kg

*1.Using AC adapter *2.Excluding AC adapter

Network Monitor Signal Tower

NH-FB

- LED
- Indoor Use
- Upright Mounting
- Ambient Temperature 0°C~40°C
- Ethernet
- SOCKET
- HTTP Command
- RSH
- PING
- SNMP
- SLMP
- E-mail Alerts
- Continuous On
- 60 Flashes per Minute
- 120 Flashes per Minute
- 80dB
- 4 Alarm Sounds
- CE
- RoHS 10
- FCC
- UL
- IP20



Model Number Configuration

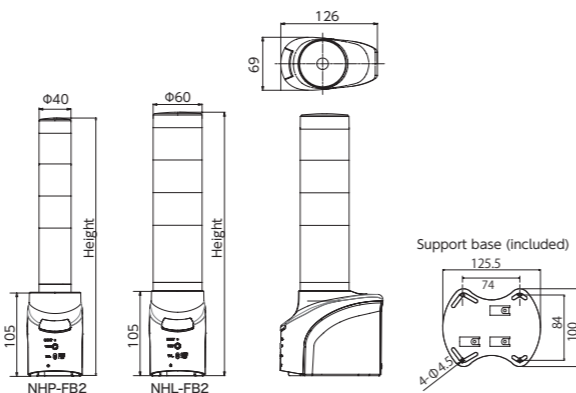
NHL-3FB2N-RYG

① Size ② Tiers ③ AC Adapter ④ LED Unit Colors

P = Φ40 1 = 1 tier None = AC Adapter included 1 = 1 tier: R / Y / G
 L = Φ60 2 = 2 tiers W*1 = AC Adapter and plug adapters included 2 = 2 tiers: RY / RG
 3 = 3 tiers 3 = 3 tiers: RYG
 4 = 4 tiers 4 = 4 tiers: RYGB
 5 = 5 tiers 5 = 5 tiers: RYGBC

N*1 = AC Adapter not included *1. Three tiers only.

Dimensions (mm)



NHP-□ FB2 type main body height

Number of Tiers	1	2	3	4	5
Body Height (mm)	244	284	324	364	404

NHL-□ FB2 type main body height

Number of Tiers	1	2	3	4	5
Body Height (mm)	244	284	324	364	404

Optional Parts

For details refer to P. 93 to P. 98

Product Name	Model Number
Wall Mount Bracket	NH-WST
Partition Mounting Bracket	NH-PST
Tint Film	NHL-TF (for NHL-FV2/FB2 types) NHP-TF (for NHP-FV2/FB2 and PHE-3FB3 types)

Specification

Protocols (Physical layer ~Application layer)	Physical layer: Ethernet (IEEE802.3 compliant) 10BASE-T/100BASE-TX (auto-negotiation, full-duplex/half-duplex) Data link layer: CSMA/CD Network layer: IP/ICMP/ARP Transport layer: TCP/UDP Application layer: HTTP/SMTP/SNMP/RSH/NTP/POP/DNS/SOCKET/DHCP/SLMP
Alarm Sound	4 patterns (short intermittent beeps / slow intermittent beeps / 2 short intermittent beeps / continuous beep)
Volume Control	Adjust with DIP switch in front

Product List

Model Number	Size (mm)	Number of Tiers	Rated Voltage	AC Adapter	Luminous Color	Power Consumption	Mass *2
NHP-3FB2-RYG	Φ40	3	100-240V AC *1	Yes	Red, Amber, Green	7.0W	0.65 kg
NHP-3FB2W-RYG	Φ40	3	100-240V AC *1	Yes	Red, Amber, Green	7.0W	0.65 kg
NHP-3FB2N-RYG	Φ40	3	100-240V AC *1	None	Red, Amber, Green	7.0W	0.65 kg
NHL-3FB2-RYG	Φ60	3	100-240V AC *1	Yes	Red, Amber, Green	7.0W	0.78 kg
NHL-3FB2W-RYG	Φ60	3	100-240V AC *1	Yes	Red, Amber, Green	7.0W	0.78 kg
NHL-3FB2N-RYG	Φ60	3	100-240V AC *1	None	Red, Amber, Green	7.0W	0.78 kg

*1. Using AC adapter
*2. Excluding AC adapter

Product Features

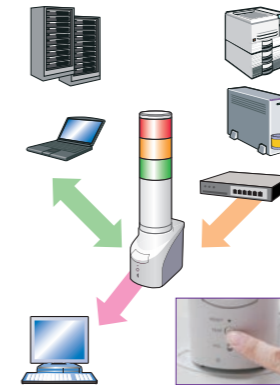
PING Monitoring

Each NH Tower can PING up to 24 devices. When a PING response fails, visual, audible, and/or email alerts are sent to administrators. These alerts can be customized based on the severity of the issue.

Application Monitoring

The NH Tower can monitor the performance of standard software and web applications, and notify administrators instantly of any errors.

Event Monitoring



SNMP v1 · v2c

The NH Towers can send, receive, and analyze TRAP information. Register up to 16 groups (4 nodes per group).

Self Diagnosis Function

With the test switch located on the front of the NH Tower, users can test various functions without having to login to the device through the network.

Supported Protocols

HTTP Commands

The NH accepts HTTP commands sent through a web browser or PLC to trigger NH Series visual and audible alert functions.

RSH Command

RSH can be used to automatically run commands based on event information from network management software and various monitoring tools on the NH Series to trigger visual and audible alert functions.

SOCKET Communication

Compatible with PHN command
Control digital output with a 2-byte command

* NH-FV Series does not support sound playback using PHN compatible commands.

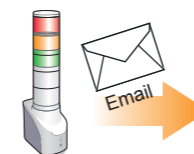
Compatible with PNS command

The NH accepts an application-level protocol called PNS (developed by PATLITE) to establish connection between client and server and to control visual and audible alert functions.

Email Transmission

Send email reports of various network events to up to 8 addresses.

The subject and body can be customized and can be automated to be sent in a variety of situations



SNMP TRAP Transmission

Send emails to a maximum of 8 addresses.

Device Setup Browser

The settings of the NH can be easily configured on your PC via the setup browser. This also enables remote firmware updates.



PNS Manager

This software configures PNS protocol settings. Confirm and change settings of each NH unit while multiple units are installed on the network.



Supports DHCP

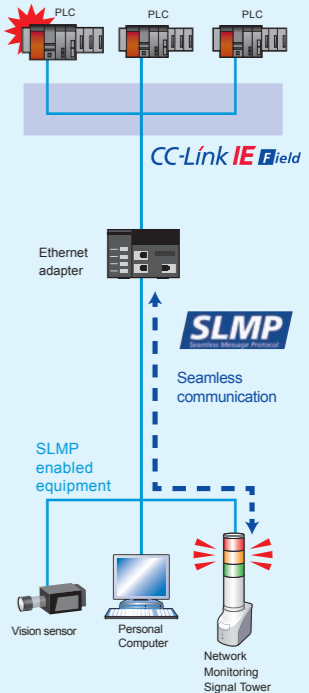
Dynamic Host Configuration Protocol (DHCP) is a network management client/server protocol that automatically assigns an IP address to each device on a network so they can communicate with other IP networks.

Supported operating systems:
Windows® XP/Windows Vista®/Windows® 7/
Windows® 8/Windows® 8.1/Windows® 10
LAN-Environment:
The 10BASE-T/100BASE-TX UDP is running.
Software: NET Framework 3.5 or later
Compatible models: NH-FB Series, NH-FV Series, NBM-D88

SLMP
Seamless Message Protocol

SLMP, MC protocols supported. You can connect the NH to a CC-Link IE field network.

The NH regularly sends commands to PLCs in the CC-Link IE field network, and can notify you of retrieved data by light, sound, email, and/or trap.



USB Signal Tower

LR6-USB

Φ60 mm	LED	Indoor Use	Upright Mounting	Ambient Temperature -20°C~+50°C	USB Bus Power	Multi-color LED (7 colors)
Continuous On	4 Flash Patterns	60 Flashes per Minute	120 Flashes per Minute	80dB	4 Alarm Sounds	DLL
CE	RoHS 10	UL	FCC	KC	ICES	IP65



Model Number Configuration

LR6--USBW-RYG

① ② ③

① Number of Tiers
None = Body Unit only
3 = 3 tiers

② Body Color
W = Off-white
K = Black

③ Luminous Color
None = Body Unit only
RYG = Red / Amber / Green from top to bottom

Dimensions (mm)

■ LR6-3USBW-RYG

■ LR6-USBW

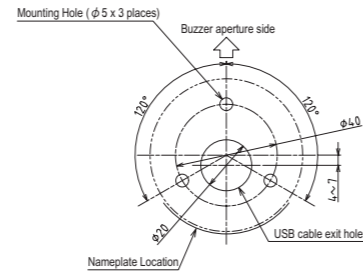
No. of LED Units	L [mm]
0	79
1	119
2	159
3	199
4	239
5	279

Optional Parts

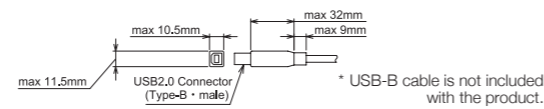
For details refer to P. 93 to P. 98

Product Name	Model Number
Upper Pole Bracket	SZP-004W
Mounting Bracket	SZW-002W
Wall Mount Bracket	SZK-003W
Pole Mounting Bracket	SZ-016A
Pole Mounting Bracket	SZ-010
Pole (100mm)	POLE-100A21+O0109
Pole (300mm)	POLE-300A21+O0109
Pole (800mm)	POLE-800A21+O0109

Mounting dimensions



Compatible USB cable dimensions



Product List

Model Number	Number of Tiers	Rated Voltage	Luminous Color	Power Consumption	Mass
LR6-3USBW-RYG / LR6-3USBK-RYG	3	5V DC (USB-bus power)	Red, Amber & Green	2.5W	0.32kg
LR6-USBW / LR6-USBK	-		-		0.14kg

Specification

OS compatible with software library (DLLs)	Windows® 7, Windows® 8 (excluding RT), Windows® 8.1 (excluding Windows® 8.1RT), Windows® 10
Alarm Sounds	Select from 4 patterns and 13 pitches
Volume Control	About 10 dB when the internal switch is used.

Supports Both DLL and Protocol Control

- Custom programming made easy with our free software library (.DLL).
- Open architecture makes it possible to control the device with other operating systems such as Linux.
- Supports HID class. No exclusive drivers necessary.

Demo Software



Confirm actual operation of the LED unit and buzzer. For details, please see our website.

Multi-color LED Signal Tower

LA6-POE

Φ60 mm	LED	Indoor Use	Upright Mounting	Ambient Temperature -10°C~+50°C	Ethernet	PoE	SOCKET	Luminous Color Multi-color (21 colors)
HTTP Command	Modbus /TCP	85dB	CE	RoHS 10	UL	FCC	KC	IP20 (Stationary)
								IP54 (Direct)



LA6-5DTNWB-POE (Direct Mount Type)

LA6-5DSNBW-POE (Stationary Type)

Model Number Configuration

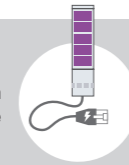
LA6-5DTNWB-POE

① ② ③ ④ ⑤

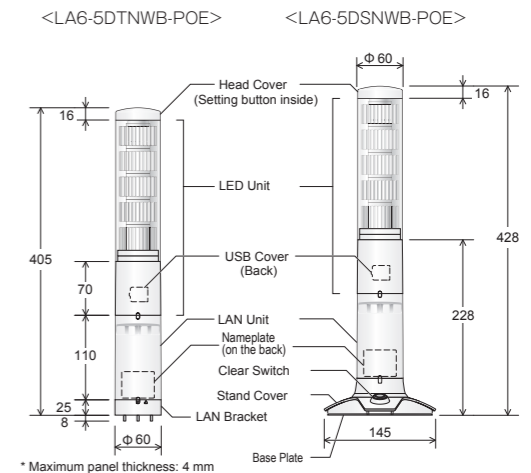
- ① Rated Voltage 24V DC
- ② Mounting TN = Direct mounting W = Off-white SN = Stationary
- ③ Body Color
- ④ Flashing/Alarms B = With flashing and alarms
- ⑤ Extended Function PoE-Compatible

What is PoE?

Stands for "Power of Ethernet" and describes a system where both data and power are supplied to a machine using a single Ethernet cable.



Dimensions (mm)



Product List

Model Number	Number of Tiers	Rated Voltage	Model Number	Power Consumption	Mass
LA6-5DTNWB-POE	5	24V DC 48V DC (PoE)	Direct mount	12.9W *	0.63kg
LA6-5DSNBW-POE			Stationary	12.9W *	0.78kg

* 24 V DC input (12.5 W for PoE input)

Optional Parts

For details refer to P. 93 to P. 98

Product Name	Model Number
Stationary Bracket	SZW-060W
Wall Mount Bracket	SZK-003W
Wall Mount Bracket	NH-WST2
Pole Mounting Bracket	SZ-010
Pole Mounting Bracket	SZ-016A
Upper Pole Bracket (pole waterproof ring/screw included)	SZP-004W
Pole (100mm)	POLE-100A21+O0109
Pole (300mm)	POLE-300A21+O0109
Pole (800mm)	POLE-800A21+O0109

Specification

Supported Transistors (NPN/PNP)	NPN / PNP
Communication Specifications (Physical to Application)	Physical layer: 10BASE-T/100BASE-TX(Auto-MDI/MDIX support) Data link layer: CSMA/CD network layer: IP, ARP, ICMP Transport layer: TCP, UDP Application layer: HTTP/DHCP/Modbus/TCP/Socket (corresponds to PHN, PNS commands)
Alarm Sound	Select from 11 patterns
Volume Control	Multi-function button / Device Setup Browser

Communication Protocols

HTTP Commands

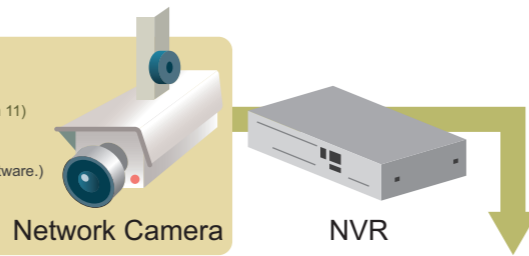
The LA6-POE accepts HTTP commands sent through a web browser or PLC to trigger visual and audible alert functions.

Detailed Motion Control (The color of each tier can be controlled.)

Execute command
(Tier 1: Green, Tier 2: Blue, Tier 3: Off, Tier 4: White, Tier 5: Red, Flashing off, Alarm: Pattern 11)
<http://192.168.10.1/api/control?color=46091&buzzer=11>

Smart Mode Control (Configure Smart Mode settings via the EDITOR software.)

Execute command (Run smart mode group No.10)
<http://192.168.10.1/api/control?smart=10>



SOCKET Communication

PNS Commands supported By using PNS commands, you can control all notification patterns.

Detailed Motion Control (Control specific LED colors for tiers 1 to 5)

Execute command
(Tier 1: Green, Tier 2: Blue, Tier 3: Off, Tier 4: White, Tier 5: Red, Flashing off, Alarm: Pattern 11)
41H, 42H, 44H, 00H, 00H, 07H, 04H, 06H, 00H, 09H, 01H, 00H, 0BH

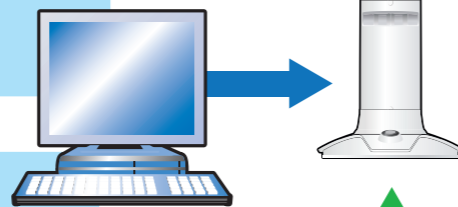
Smart Mode Control (Configure Smart Mode settings via the EDITOR software.)

Execute command (Run smart mode group No.10)
41H, 42H, 54H, 00H, 00H, 01H, 0AH

PNS Command Control with 2-byte command.

Execute command
(Tier 1: Continuous ON, Tier 2: Flashing, Tier 3: Off, and Alarm: Pattern 2)
57H, 51H

* Control the Continuous ON, Flashing, and 2 Alarms on tiers 1~3.

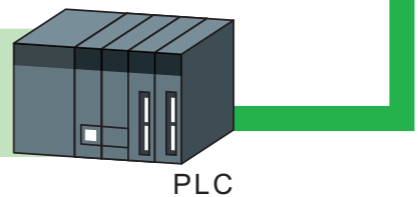


Modbus/TCP

The LA6-POE accepts Modbus TCP/UDP commands from a PLC to control visual and audible alert functions.

Smart Mode Control (Configure Smart Mode settings via the EDITOR software.)

Execute command
(When operating the Signal Tower in Smart Mode group number 15.)
00H, 00H, 00H, 00H, 00H, 06H, 01H, 06H, 00H, 06H, 01H, 0FH



Interface Converter with Signal Tower

PHE

- Φ40 mm
- LED
- RS-232C
- Indoor Use
- Upright Mounting
- Ambient Temperature 0°C~40°C
- USB Bus Power
- Red, Amber, Green
- Continuous On
- 37.5 Flashes per Minute
- 75 Flashes per Minute
- 80dB
- 4 Alarm Sounds
- CE
- RoHS 10
- UL
- FCC
- KC (N type only)
- IP20



Model Number Configuration

PHE-3FB3N-RYG

① AC Adapter
N = AC Adapter not included

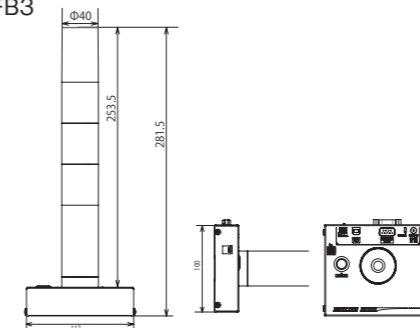
Optional Parts

For details refer to P. 93 to P. 98

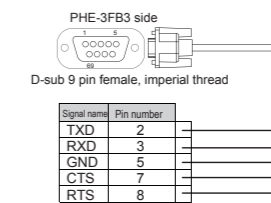
Product Name	PNS Command
Tint Film	NHP-TF (for NHP-FV2/FB2 and PHE-3FB3 types)
AC Adapter	ADP-001

Dimensions (mm)

PHE-3FB3

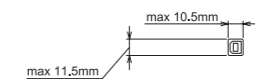


Routing to RS-232C Ports



Note: RS-232C cable not included.

Compatible USB cable dimensions



Note: USB cables not included.

Product List

Model Number	Number of Tiers	Rated Voltage	AC Adapter	Luminous Color	Power Consumption	Mass
PHE-3FB3N-RYG	3	24V DC, 5V DC (USB-bus power)	None	Red, Amber, Green, with clear lens	4.4W	0.545kg

Specification

USB driver compatible OS	Windows® 7 (32bit,64bit), Windows® 8 (32bit,64bit), Windows® 8.1 (32bit,64bit), Windows® 10 (32bit,64bit), Windows Server® 2008 R2, Windows Server® 2012, Windows Server® 2012 R2
Alarm Sound	4 patterns
Volume Control	Sound can be reduced by using the supplied sound reduction sheet. DIP switch (-10 dB) in the buzzer unit

Interface Converter

NBM

- Indoor Use
- Upright Mounting
- Ambient Temperature 0C~+40C
- Ethernet
- SOCKET
- 8 Inputs
- 8 Outputs
- HTTP Command
- RSH
- PING
- SNMP
- E-mail Alerts
- CE
- RoHS 10
- UL
- FCC
- KC
- IP20

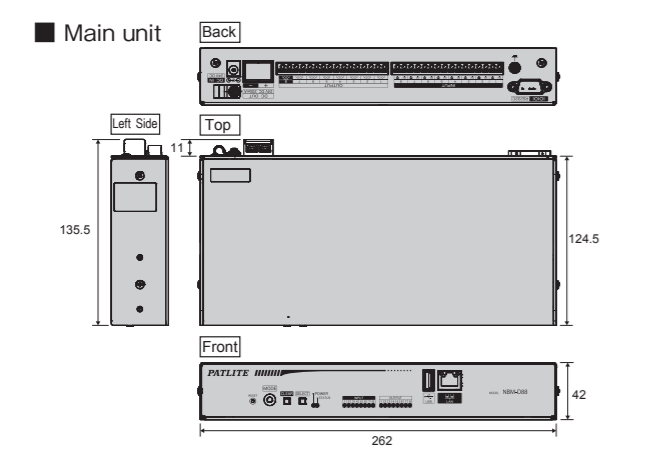


* AC Adapter not included.

Product List

Model Number	Rated Voltage	AC Adapter	Power Consumption	Mass
NBM-D88NN	24V DC	None	14W	1.15kg

Dimensions (mm)



Specification

Supported Transistors	NPN
Communication spec (physical layer to application layer)	Physical layer : Ethernet(IEEE802.3 compliant) 10BASE-T/100BASE-TX (auto-negotiation)
	Connector shape : RJ-45 8-pole
	Data link layer : CSMA/CD Method
	Network layer : IP / ARP / ICMP
	Transport layer : TCP UDP
Application layer : HTTP, NTP, Socket (PHN/PNS) SMTP, SNMP (V1, V2C), DHCP, DNS, POP3, RSH	

Optional Parts

For details refer to P. 93 to P. 98

Product Name	Model Number
Server Rack Mounting Bracket	NBM-ANG
AC Adapter	ADP-001

Digital Input Condition Setup Function

Duration condition Trigger the output with a timer.
 AND condition Trigger the output with boolean logic.
 Count Condition Trigger the output with repeated inputs.

By setting the input detection method, the NBM can be used in a variety of environments and applications. Set a temperature alarm with a temperature sensor, Set an area notification with an infrared sensor, etc.

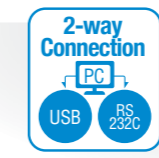
Operations that can be performed using the condition setting function

Digital output control	Turning Digital Outputs ON or OFF
Send RSH command	Sending a remote shell command to a device at the specified address
Send socket	Sending PHN/PNS Commands to Devices at the Specified Addresses
Trap sending	Sending SNMP Traps to Devices with Configured Addresses
Send mail	Sending Mail to a Specified Mail Server

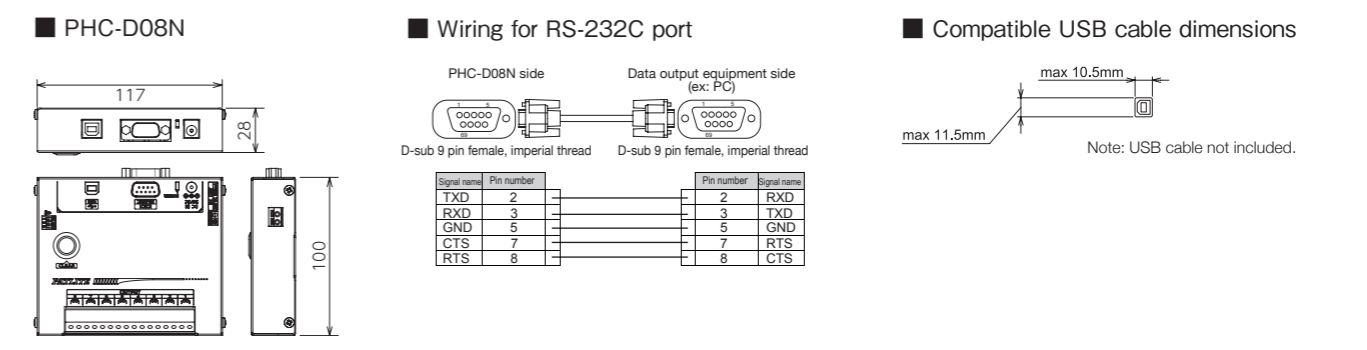
Interface Converter

PHC

- Indoor Use
- Upright Mounting
- Ambient Temperature 0C~+40C
- USB Bus Power
- RS-232C
- 8 Outputs
- CE
- RoHS 10
- UL
- FCC
- IP20



Dimensions (mm)



Product List

Model Name	Rated Voltage	AC Adapter	Power Consumption	Mass
PHC-D08N	24V DC, 5V DC (USB-bus power)	None*	14.5W	0.37kg

* Power output only available with AC adapter

Specification

USB driver compatible OS	Windows® 7 (32bit,64bit), Windows® 8 (32bit,64bit), Windows® 8.1 (32bit,64bit), Windows® 10 (32bit,64bit), Windows Server® 2008 R2, Windows Server® 2012, Windows Server® 2012 R2
--------------------------	---

Optional Parts

For details refer to P. 93 to P. 98

Product Name	Model Number
AC Adapter	ADP-001

Multi-color LED Signal Tower

LA6

- Φ60 mm LED Indoor Use Upright/Inverted Mounting Ambient Temperature 25°C~60°C
- Luminous Color Multi-color (21 colors) Continuous On Blinking Pulse 85dB
- 11 Alarm Sounds CE RoHS 10 UL* FCC*
- KC* PSE (SA) IP65 IP54 with Alarm

■ 24V DC



■ 100-240V AC

Model Number Configuration

LA6-5DLJWB-RYGBC

- ① Number of Tiers
- ② Rated Voltage
- ③ Mounting / Wiring
- ④ Body Color
- ⑤ Flashing / Buzzer
- ⑥ Luminous Color*

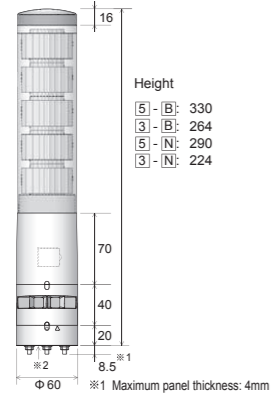
- ① Number of Tiers: 3 = 3 tiers, 5 = 5 tiers
- ② Rated Voltage: A = 100~240V AC, D = 24V DC
- ③ Mounting / Wiring: TN = Direct mount / Screwless Terminal, LJ = Steel pole + L-bracket / Cable, WJ = Direct mount / Cable
- ④ Body Color: W = Off-white, U = Silver
- ⑤ Flashing / Buzzer: B = Flashing / Buzzer, N = No flashing / No buzzer
- ⑥ Luminous Color*: RYG = 3 tiers, RYGBC = 5 tiers

* Colors for each tier can be changed after purchase.
* LJ type not available in U (silver) body.
* 100-240V AC type available for LA6-5AWJWB-RYGBC only.

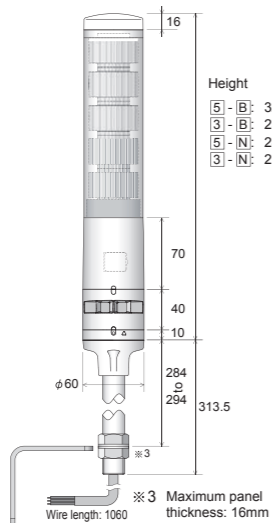
* Initial factory setting. Other colors can be set after purchase.

Dimensions (mm)

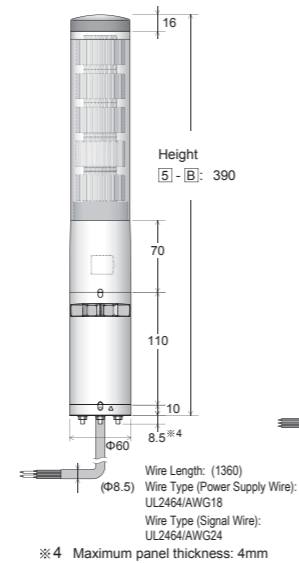
■ [TN] Direct mount, Terminal block



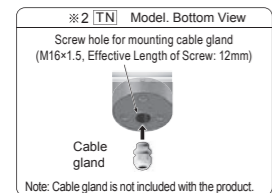
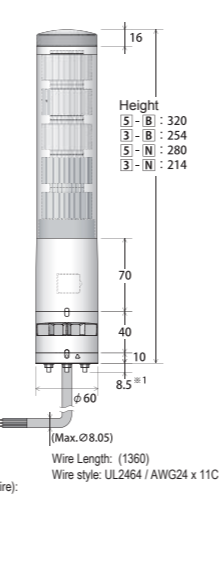
■ [LJ] Steel pole, L-bracket, Cable



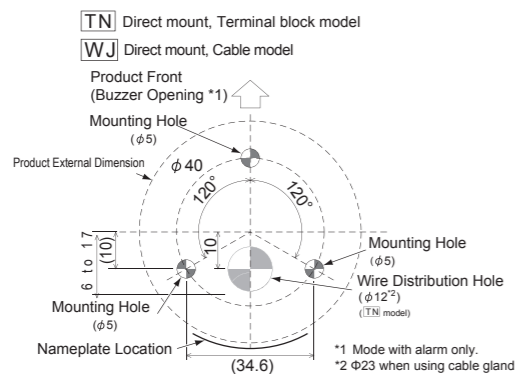
■ [WJ] Direct mount, Cable
[A] AC 100 - 240V AC model



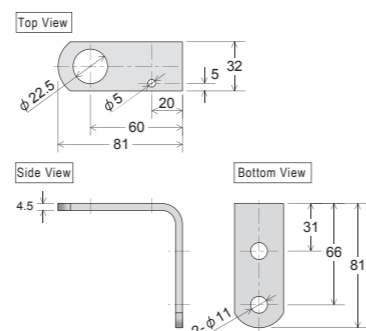
■ [WJ] Direct mount, Cable
[D] 24V DC Type



Installation Dimensional Drawing (mm)



[LJ] L-Bracket dimensions (included with LJ pole mount model)



Product List

Model Number	Number of Tiers	Rated Voltage	Mounting Type	Wiring	Function	Alarm	Body Color	Luminous Color	Power Consumption	Mass
LA6-3DWJWB-RYG	3	24V DC	Direct	Cable	Continuous On and flashing	Yes	Off-white	Multi-color (21 colors)	4.5W	0.45kg
LA6-3DWJWN-RYG	3	24V DC	Direct	Cable	Continuous On	None	Off-white	Multi-color (21 colors)	4.5W	0.40kg
LA6-3DWJUB-RYG	3	24V DC	Direct	Cable	Continuous On and flashing	Yes	Silver	Multi-color (21 colors)	4.5W	0.45kg
LA6-3DWJUN-RYG	3	24V DC	Direct	Cable	Continuous On	None	Silver	Multi-color (21 colors)	4.5W	0.45kg
LA6-3DTNWB-RYG	3	24V DC	Direct	Terminal block	Continuous On and flashing	Yes	Off-white	Multi-color (21 colors)	5.5W	0.48kg
LA6-3DTNWN-RYG	3	24V DC	Direct	Terminal block	Continuous On	None	Off-white	Multi-color (21 colors)	4.5W	0.42kg
LA6-3DTNWB-RYG	3	24V DC	Direct	Terminal block	Continuous On and flashing	Yes	Silver	Multi-color (21 colors)	5.5W	0.48kg
LA6-3DTNUN-RYG	3	24V DC	Direct	Terminal block	Continuous On	None	Silver	Multi-color (21 colors)	4.5W	0.42kg
LA6-3DLJWB-RYG	3	24V DC	Pole with L-bracket	Cable	Continuous On and flashing	Yes	Off-white	Multi-color (21 colors)	5.5W	0.98kg
LA6-3DLJWN-RYG	3	24V DC	Pole with L-bracket	Cable	Continuous On	None	Off-white	Multi-color (21 colors)	4.5W	0.93kg
LA6-5DTNWB-RYGBC	5	24V DC	Direct	Terminal block	Continuous On and flashing	Yes	Off-white	Multi-color (21 colors)	8W	0.59kg
LA6-5DTNWN-RYGBC	5	24V DC	Direct	Terminal block	Continuous On	None	Off-white	Multi-color (21 colors)	7W	0.53kg
LA6-5DTNWB-RYGBC	5	24V DC	Direct	Terminal block	Continuous On and flashing	Yes	Silver	Multi-color (21 colors)	8W	0.59kg
LA6-5DTNUN-RYGBC	5	24V DC	Direct	Terminal block	Continuous On	None	Silver	Multi-color (21 colors)	7W	0.53kg
LA6-5DWJWB-RYGBC	5	24V DC	Direct	Cable	Continuous On and flashing	Yes	Off-white	Multi-color (21 colors)	8W	0.56kg
LA6-5DWJWN-RYGBC	5	24V DC	Direct	Cable	Continuous On	None	Off-white	Multi-color (21 colors)	8W	0.51kg
LA6-5DWJUB-RYGBC	5	24V DC	Direct	Cable	Continuous On and flashing	Yes	Silver	Multi-color (21 colors)	8W	0.56kg
LA6-5DWJUN-RYGBC	5	24V DC	Direct	Cable	Continuous On	None	Silver	Multi-color (21 colors)	8W	0.51kg
LA6-5DLJWB-RYGBC	5	24V DC	Pole with L-bracket	Cable	Continuous On and flashing	Yes	Off-white	Multi-color (21 colors)	8W	1.09kg
LA6-5DLJWN-RYGBC	5	24V DC	Pole with L-bracket	Cable	Continuous On	None	Off-white	Multi-color (21 colors)	7W	1.04kg
LA6-5AWJWB-RYGBC	5	100 - 240V AC	Direct	Cable	Continuous On and flashing	Yes	Off-white	Multi-color (21 colors)	7.5W	0.74kg

Specification

Supported Transistors	D type (24V DC): NPN / PNP A type (100-240V AC): NPN
Alarm Sound	No.1: 2400Hz peak (continuous sound) No.2: 2400Hz Pippi (0.05sec on / 0.05sec silence) No.3: 2400Hz beeping (1.5sec on / 1.5sec silence) No.4: 2400Hz beep (0.5sec on / 0.5sec silence) No.5: 3600Hz peak (continuous sound) No.6: 3600Hz Pippi (0.05sec on / 0.05sec silence) No.7: 3600Hz beeping (1.5sec on / 1.5sec silence) No.8: 3600Hz beep (0.5sec on / 0.5sec silence) No.9: 2400Hz & 3375Hz Pipipip (0.25sec/0.25sec) No.10: 2400Hz & 3600Hz Pipopipo (0.25sec/0.25sec) No.11: 4000Hz & 4800Hz Peepo (0.5sec/0.5sec)
Volume Control	Four settings with a push of a button (factory default set to max.)

Optional Parts

For details refer to P. 93 to P. 98

Product Name	Model Number
Pole Mounting Assembly	SZ-70L
Pole Mounting Bracket	SZ-010
Pole Mounting Bracket	SZ-016A
Wall Mount Bracket	SZK-003W / U
Pole Upper Bracket (with Waterproof Ring and screws)	SZP-004W
Stationary Bracket	SZW-060W
Mounting Pole (100mm)	POLE-100A21+O0109
Mounting Pole (300mm)	POLE-300A21+O0109
Mounting Pole (800mm)	POLE-800A21+O0109

Signal Tower

LR



WD Compatible (pg. 13)



- Φ40 mm
- Φ50 mm
- Φ60 mm
- Φ70 mm
- LED
- Indoor Use
- Upright Mounting
- Ambient Temperature -20°C~+45°C (ABS & AS)
- Ambient Temperature -20°C~+50°C
- Red, Amber, Green, Blue, White, Multi-color: 7 colors
- Change Number of Tiers
- Continuous On
- 60 Flashes per Minute
- 85dB (LR4, LR5)
- 88dB (LR6)
- 90dB (LR7)
- 4 Alarm Sounds
- CE (Existing M2LJ type)
- RoHS 10
- UL
- FCC
- KC (M2LJ)
- IP65
- IP54 (LJ Type)
- NEMA TYPE 4X,13

*When using 12V DC: 80dB

Model Number Configuration

φ40mm Model Code

LR4-502WJBW-RYGBCZ

Model ① ② ③ ④ ⑤ ⑥ ⑦

- ① Tiers: 1 = 1 tier, 2 = 2 tiers, 3 = 3 tiers, 4 = 4 tiers, 5 = 5 tiers
- ② Rated Voltage: 02 = 24V DC, M2 = 100 - 240V AC *1
- ③ Mounting/Wiring: WJ = Direct Mount/Cable, LJ = Pole Mount with L-bracket/Cable, PJ = Pole Mount with Circular Bracket/Cable, QJ = Pole Mount with Folding Bracket/Cable *2
- ④ Flashing/Buzzer: B = With Flashing/Buzzer, N = No Flashing/Buzzer
- ⑤ Body Color: W = Off-white, U = Silver *3
- ⑥ Luminous Color: R = Red, Y = Amber, G = Green, B = Blue, C = White
- ⑦ Lens Type: None = Colored, Z = Clear

*1 For WJ, LJ and PJ type only *2 For 24V DC and Off-white type only *3 For 24V DC type WJ, LJ and PJ type only

φ50mm Model Code

LR5-502WJBW-RYGBCZ

Model ① ② ③ ④ ⑤ ⑥ ⑦

- ① Tiers: 1 = 1 tier, 2 = 2 tiers, 3 = 3 tiers, 4 = 4 tiers, 5 = 5 tiers
- ② Rated Voltage: 01 = 12V DC, 02 = 24V DC
- ③ Mounting/Wiring: WJ = Direct Mount/Cable, LJ = Pole Mount with L-bracket/Cable, PJ = Pole Mount with Circular Bracket/Cable
- ④ Flashing/Buzzer: B = With Flashing/Buzzer, N = No Flashing/Buzzer
- ⑤ Body Color: W = Off-white
- ⑥ Luminous Color: R = Red, Y = Amber, G = Green, B = Blue, C = White
- ⑦ Lens Type: None = Colored, Z = Clear

φ60mm Model Code

LR6-502WJBW-RYGBCZ

Model ① ② ③ ④ ⑤ ⑥ ⑦

- ① Tiers: 1 = 1 tier, 2 = 2 tiers, 3 = 3 tiers, 4 = 4 tiers, 5 = 5 tiers
- ② Rated Voltage: 02 = 24V DC, M2 = 100 - 240V AC *1
- ③ Mounting/Wiring: WJ = Direct Mount/Cable, LJ = Pole Mount with L-bracket/Cable, PJ = Pole Mount with Circular Bracket/Cable, QJ = Pole Mount with Folding Bracket/Cable *2, WC = Direct Mount/M12 Connector *2
- ④ Flashing/Buzzer: B = With Flashing/Buzzer, N = No Flashing/Buzzer
- ⑤ Body Color: W = Off-white, U = Silver *3
- ⑥ Luminous Color: R = Red, Y = Amber, G = Green, B = Blue, C = White, M = Multi Color
- ⑦ Lens Type: None = Colored, Z = Clear

*1 For WJ, LJ and PJ type only *2 For 24V DC and Off-white type only *3 For 24V DC type WJ, LJ and PJ type only

φ70mm Model Code

LR7-502WJBW-RYGBC

Model ① ② ③ ④ ⑤ ⑥

- ① Tiers: 1 = 1 tier, 2 = 2 tiers, 3 = 3 tiers, 4 = 4 tiers, 5 = 5 tiers
- ② Rated Voltage: 02 = 24V DC
- ③ Mounting/Wiring: WJ = Direct Mount/Cable
- ④ Flashing/Buzzer: B = With Flashing/Buzzer, N = No Flashing/Buzzer
- ⑤ Body Color: W = Off-white
- ⑥ Luminous Color: R = Red, Y = Amber, G = Green, B = Blue, C = White

Specification

Supported Transistors	NPN/PNP (Excluding M2 type)
Alarm Sound	4 patterns (switch by DIP switch) No.1: Intermittent sound (Pipipi) No.2: Continuous sound (pee) No.3: High and low tones No.4: Sweep sound (Hune) *It is possible to sound an alarm that turns on and off in 0.5 second cycles by shorting the buzzer and flashing common lines.
Volume control	Sound can be reduced by DIP switch

Optional Parts

For details refer to P. 93 to P. 98

Product Name	Model Number	Product Description	Model Number
Circular Bracket	SZW-001W	Mounting Bracket	SZW-002W
Wall Mount Bracket	SZK-002W/U/K	Circular Bracket	SZP-002U
Wall Mount Bracket	SZK-003W/U/K	Folding Bracket	SZQ-001W
Wall Mount Bracket	SZK-004W	Circular Bracket	SZP-003W/U/K
Circular Multi-mount Bracket	SZP-001W/U/K	L-Bracket	SZL-001
1/2" NPT Bracket	SZP-090U	Wall Mount Bracket	SZK-001U
1/2" NPT Bracket	SZP-091U		

Product List Pre-Assembled Models

Compatible with WD Wireless Data Acquisition products (page. 11 - 13)

Model Number	WD Compatible	Size (mm)	Number of Tiers	Rated Voltage	Mounting	Alarm	Luminous Color	Clear Lens	Power Consumption	Mass
LR4-102WJNW(U)-R/Y/G	○	Φ40	1	24V DC	Direct		Red/Amber/Green		1.3W	0.205kg
LR4-202WJNW(U)-RY/RG	○	Φ40	2	24V DC	Direct		Red, Amber / Red, Green		2.6W	0.24kg
LR4-302WJNW(U)-RYG	○	Φ40	3	24V DC	Direct		Red, Amber, Green		3.9W	0.275kg
LR4-302WJNW-RYGZ	○	Φ40	3	24V DC	Direct		Red, Amber, Green	●	3.9W	0.275kg
LR4-402WJNW(U)-RYGB	○	Φ40	4	24V DC	Direct		Red, Amber, Green, Blue		5.2W	0.31kg
LR4-502WJNW(U)-RYGBC	○	Φ40	5	24V DC	Direct		Red, Amber, Green, Blue, White		6.5W	0.345kg
LR4-102WJBW(U)-R/Y/G	○	Φ40	1	24V DC	Direct	✓	Red / Amber / Green		2.6W	0.24kg
LR4-202WJBW(U)-RY/RG	○	Φ40	2	24V DC	Direct	✓	Red, Amber / Red, Green		3.9W	0.275kg
LR4-302WJBW(U)-RYG	○	Φ40	3	24V DC	Direct	✓	Red, Amber, Green		5.2W	0.31kg
LR4-302WJBW-RYGZ	○	Φ40	3	24V DC	Direct	✓	Red, Amber, Green	●	5.2W	0.31kg
LR4-402WJBW(U)-RYGB	○	Φ40	4	24V DC	Direct	✓	Red, Amber, Green, Blue		6.5W	0.345kg
LR4-502WJBW(U)-RYGBC	○	Φ40	5	24V DC	Direct	✓	Red, Amber, Green, Blue, White		7.8W	0.38kg
LR4-1M2WJNW-R/Y/G	○	Φ40	1	100 - 240V AC	Direct		Red / Amber / Green		1.8W	0.29kg
LR4-2M2WJNW-RY/RG	○	Φ40	2	100 - 240V AC	Direct		Red, Amber / Red, Green		3.6W	0.32kg
LR4-3M2WJNW-RYG	○	Φ40	3	100 - 240V AC	Direct		Red, Amber, Green		5.4W	0.355kg
LR4-4M2WJNW-RYGB	○	Φ40	4	100 - 240V AC	Direct		Red, Amber, Green, Blue		7.2W	0.39kg
LR4-5M2WJNW-RYGBC	○	Φ40	5	100 - 240V AC	Direct		Red, Amber, Green, Blue, White		9W	0.43kg
LR4-1M2WJBW-R/Y/G	○	Φ40	1	100 - 240V AC	Direct	✓	Red / Amber / Green		3.6W	0.32kg
LR4-2M2WJBW-RY/RG	○	Φ40	2	100 - 240V AC	Direct	✓	Red, Amber / Red, Green		5.4W	0.36kg
LR4-3M2WJBW-RYG	○	Φ40	3	100 - 240V AC	Direct	✓	Red, Amber, Green		7.2W	0.39kg
LR4-4M2WJBW-RYGB	○	Φ40	4	100 - 240V AC	Direct	✓	Red, Amber, Green, Blue		9W	0.43kg
LR4-5M2WJBW-RYGBC	○	Φ40	5	100 - 240V AC	Direct	✓	Red, Amber, Green, Blue, White		10.8W	0.46kg
LR5-101WJNW-R/Y/G	○	Φ50	1	12V DC	Direct		Red / Amber / Green		1.1W	0.24kg
LR5-201WJNW-RY/RG	○	Φ50	2	12V DC	Direct		Red, Amber / Red, Green		2.2W	0.28kg
LR5-301WJNW-RYG	○	Φ50	3	12V DC	Direct		Red, Amber, Green		3.3W	0.32kg
LR5-401WJNW-RYGB	○	Φ50	4	12V DC	Direct		Red, Amber, Green, Blue		4.4W	0.36kg
LR5-501WJNW-RYGBC	○	Φ50	5	12V DC	Direct		Red, Amber, Green, Blue, White		5.5W	0.4kg
LR5-101WJBW-R/Y/G	○	Φ50	1	12V DC	Direct	✓	Red / Amber / Green		2.3W	0.29kg
LR5-201WJBW-RY/RG	○	Φ50	2	12V DC	Direct	✓	Red, Amber / Red, Green		3.4W	0.33kg
LR5-301WJBW-RYG	○	Φ50	3	12V DC	Direct	✓	Red, Amber, Green		4.5W	0.37kg
LR5-401WJBW-RYGB	○	Φ50	4	12V DC	Direct	✓	Red, Amber, Green, Blue		5.6W	0.41kg
LR5-501WJBW-RYGBC	○	Φ50	5	12V DC	Direct	✓	Red, Amber, Green, Blue, White		6.7W	0.45kg
LR5-102WJNW-R/Y/G	○	Φ50	1	24V DC	Direct		Red / Amber / Green		1.3W	0.24kg
LR5-202WJNW-RY/RG	○	Φ50	2	24V DC	Direct		Red, Amber / Red, Green		2.6W	0.28kg
LR5-302WJNW-RYG	○	Φ50	3	24V DC	Direct		Red, Amber, Green		3.9W	0.32kg

Table with columns: Model Number, WD Compatible, Size (mm), Number of Tiers, Rated Voltage, Mounting, Alarm, Luminous Color, Clear Lens, Power Consumption, Mass. Lists various models like LR5-402WJNW-RYGB, LR5-502WJNW-RYGB, etc.

LAN / USB / PoE / Wireless

Signal Tower

Beacons

Cube Tower

Audible Alarms and MP3 Voice Annunciators

Hybrid Signaling Devices

LED Illumination

Optional Parts

Table with columns: Model Number, WD Compatible, Size (mm), Number of Tiers, Rated Voltage, Mounting, Alarm, Luminous Color, Clear Lens, Power Consumption, Mass. Lists various models like LR4-1M2LJBW-R/Y/G, LR4-2M2LJBW-RY/RG, etc.

* Not suitable for KC (KN 61000-6-4, KN 61000-6-2) and Low Voltage Directive (TEC / EN 60947-5-1, EN 62471).

LAN / USB / PoE / Wireless

Signal Tower

Beacons

Cube Tower

Audible Alarms and MP3 Voice Annunciators

Hybrid Signaling Devices

LED Illumination

Optional Parts

Product List Pre-Assembled Models

Compatible with WD Wireless Data Acquisition products (page. 11 - 13)

Model Number	WD Compatible	Size (mm)	Number of Tiers	Rated Voltage	Mounting	Alarm	Luminous Color	Clear Lens	Power Consumption	Mass
LR4-202PJBW(U)-RY/RG	☐	Φ40	2	24V DC	Pole with Circular Bracket	✓	Red, Amber / Red, Green		3.9W	0.465kg
LR4-302PJBW(U)-RYG	☐	Φ40	3	24V DC	Pole with Circular Bracket	✓	Red, Amber, Green		5.2W	0.5kg
LR4-402PJBW(U)-RYGB	☐	Φ40	4	24V DC	Pole with Circular Bracket	✓	Red, Amber, Green, Blue		6.5W	0.535kg
LR4-502PJBW(U)-RYGBC	☐	Φ40	5	24V DC	Pole with Circular Bracket	✓	Red, Amber, Green, Blue, White		7.8W	0.57kg
LR4-1M2PJNW-R/Y/G	☐	Φ40	1	100 - 240V AC	Pole with Circular Bracket		Red / Amber / Green		1.8W	0.48kg
LR4-2M2PJNW-RY/RG	☐	Φ40	2	100 - 240V AC	Pole with Circular Bracket		Red, Amber / Red, Green		3.6W	0.51kg
LR4-3M2PJNW-RYG	☐	Φ40	3	100 - 240V AC	Pole with Circular Bracket		Red, Amber, Green		5.4W	0.545kg
LR4-4M2PJNW-RYGB	☐	Φ40	4	100 - 240V AC	Pole with Circular Bracket		Red, Amber, Green, Blue		7.2W	0.58kg
LR4-5M2PJNW-RYGBC	☐	Φ40	5	100 - 240V AC	Pole with Circular Bracket		Red, Amber, Green, Blue, White		9W	0.62kg
LR4-1M2PJBW-R/Y/G	☐	Φ40	1	100 - 240V AC	Pole with Circular Bracket	✓	Red / Amber / Green		3.6W	0.51kg
LR4-2M2PJBW-RY/RG	☐	Φ40	2	100 - 240V AC	Pole with Circular Bracket	✓	Red, Amber / Red, Green		5.4W	0.55kg
LR4-3M2PJBW-RYG	☐	Φ40	3	100 - 240V AC	Pole with Circular Bracket	✓	Red, Amber, Green		7.2W	0.58kg
LR4-4M2PJBW-RYGB	☐	Φ40	4	100 - 240V AC	Pole with Circular Bracket	✓	Red, Amber, Green, Blue		9W	0.62kg
LR4-5M2PJBW-RYGBC	☐	Φ40	5	100 - 240V AC	Pole with Circular Bracket	✓	Red, Amber, Green, Blue, White		10.8W	0.65kg
LR5-101PJNW-R/Y/G	☐	Φ50	1	12V DC	Pole with Circular Bracket		Red / Amber / Green		1.1W	0.42kg
LR5-201PJNW-RY/RG	☐	Φ50	2	12V DC	Pole with Circular Bracket		Red, Amber / Red, Green		2.2W	0.46kg
LR5-301PJNW-RYG	☐	Φ50	3	12V DC	Pole with Circular Bracket		Red, Amber, Green		3.3W	0.5kg
LR5-401PJNW-RYGB	☐	Φ50	4	12V DC	Pole with Circular Bracket		Red, Amber, Green, Blue		4.4W	0.54kg
LR5-501PJNW-RYGBC	☐	Φ50	5	12V DC	Pole with Circular Bracket		Red, Amber, Green, Blue, White		5.5W	0.58kg
LR5-101PJBW-R/Y/G	☐	Φ50	1	12V DC	Pole with Circular Bracket	✓	Red / Amber / Green		2.3W	0.47kg
LR5-201PJBW-RY/RG	☐	Φ50	2	12V DC	Pole with Circular Bracket	✓	Red, Amber / Red, Green		3.4W	0.51kg
LR5-301PJBW-RYG	☐	Φ50	3	12V DC	Pole with Circular Bracket	✓	Red, Amber, Green		4.5W	0.55kg
LR5-401PJBW-RYGB	☐	Φ50	4	12V DC	Pole with Circular Bracket	✓	Red, Amber, Green, Blue		5.6W	0.59kg
LR5-501PJBW-RYGBC	☐	Φ50	5	12V DC	Pole with Circular Bracket	✓	Red, Amber, Green, Blue, White		6.7W	0.63kg
LR5-102PJNW-R/Y/G	☐	Φ50	1	24V DC	Pole with Circular Bracket		Red/Amber/Green		1.3W	0.42kg
LR5-202PJNW-RY/RG	☐	Φ50	2	24V DC	Pole with Circular Bracket		Red, Amber, red, and green		2.6W	0.46kg
LR5-302PJNW-RYG	☐	Φ50	3	24V DC	Pole with Circular Bracket		Red · Amber · Green		3.9W	0.5kg
LR5-402PJNW-RYGB	☐	Φ50	4	24V DC	Pole with Circular Bracket		Red · Amber · Green · Blue		5.2W	0.54kg
LR5-502PJNW-RYGBC	☐	Φ50	5	24V DC	Pole with Circular Bracket		Red · Amber · Green · Blue · White		6.5W	0.58kg
LR5-102PJBW-R/Y/G	☐	Φ50	1	24V DC	Pole with Circular Bracket	✓	Red/Amber/Green		2.6W	0.47kg
LR5-202PJBW-RY/RG	☐	Φ50	2	24V DC	Pole with Circular Bracket	✓	Red, Amber, red, and green		3.9W	0.51kg
LR5-302PJBW-RYG	☐	Φ50	3	24V DC	Pole with Circular Bracket	✓	Red · Amber · Green		5.2W	0.55kg
LR5-402PJBW-RYGB	☐	Φ50	4	24V DC	Pole with Circular Bracket	✓	Red · Amber · Green · Blue		6.5W	0.59kg
LR5-502PJBW-RYGBC	☐	Φ50	5	24V DC	Pole with Circular Bracket	✓	Red · Amber · Green · Blue · White		7.8W	0.63kg
LR6-102PJNW-R/Y/G	☐	Φ60	1	24V DC	Pole with Circular Bracket		Red / Amber / Green		1.3W	0.46kg
LR6-202PJNW-RY/RG	☐	Φ60	2	24V DC	Pole with Circular Bracket		Red, Amber / Red, Green		2.6W	0.52kg
LR6-302PJNW-RYG	☐	Φ60	3	24V DC	Pole with Circular Bracket		Red, Amber, Green		3.9W	0.58kg
LR6-402PJNW-RYGB	☐	Φ60	4	24V DC	Pole with Circular Bracket		Red, Amber, Green, Blue		5.2W	0.64kg
LR6-502PJNW-RYGBC	☐	Φ60	5	24V DC	Pole with Circular Bracket		Red, Amber, Green, Blue, White		6.5W	0.7kg
LR6-102PJBW-R/Y/G	☐	Φ60	1	24V DC	Pole with Circular Bracket	✓	Red / Amber / Green		2.6W	0.52kg
LR6-202PJBW-RY/RG	☐	Φ60	2	24V DC	Pole with Circular Bracket	✓	Red, Amber / Red, Green		3.9W	0.58kg
LR6-302PJBW-RYG	☐	Φ60	3	24V DC	Pole with Circular Bracket	✓	Red, Amber, Green		5.2W	0.64kg
LR6-402PJBW-RYGB	☐	Φ60	4	24V DC	Pole with Circular Bracket	✓	Red, Amber, Green, Blue		6.5W	0.7kg
LR6-502PJBW-RYGBC	☐	Φ60	5	24V DC	Pole with Circular Bracket	✓	Red, Amber, Green, Blue, White		7.8W	0.76kg

* Not suitable for KC (KN 61000-6-4, KN 61000-6-2) and Low Voltage Directive (TEC / EN 60947-5-1, EN 62471).

Product List Pre-Assembled Models

Compatible with WD Wireless Data Acquisition products (page. 11 - 13)

Model Number	WD Compatible	Size (mm)	Number of Tiers	Rated Voltage	Mounting	Alarm	Luminous Color	Clear Lens	Power Consumption	Mass
LR6-1M2PJNW-R/Y/G	☐	Φ60	1	100 - 240V AC	Pole with Circular Bracket		Red / Amber / Green		1.8W	0.56kg
LR6-2M2PJNW-RY/RG	☐	Φ60	2	100 - 240V AC	Pole with Circular Bracket		Red, Amber / Red, Green		3.6W	0.62kg
LR6-3M2PJNW-RYG	☐	Φ60	3	100 - 240V AC	Pole with Circular Bracket		Red, Amber, Green		5.4W	0.68kg
LR6-4M2PJNW-RYGB	☐	Φ60	4	100 - 240V AC	Pole with Circular Bracket		Red, Amber, Green, Blue		7.2W	0.74kg
LR6-5M2PJNW-RYGBC	☐	Φ60	5	100 - 240V AC	Pole with Circular Bracket		Red, Amber, Green, Blue, White		9W	0.8kg
LR6-1M2PJBW-R/Y/G	☐	Φ60	1	100 - 240V AC	Pole with Circular Bracket	✓	Red / Amber / Green		3.6W	0.62kg
LR6-2M2PJBW-RY/RG	☐	Φ60	2	100 - 240V AC	Pole with Circular Bracket	✓	Red, Amber / Red, Green		5.4W	0.68kg
LR6-3M2PJBW-RYG	☐	Φ60	3	100 - 240V AC	Pole with Circular Bracket	✓	Red, Amber, Green		7.2W	0.74kg
LR6-4M2PJBW-RYGB	☐	Φ60	4	100 - 240V AC	Pole with Circular Bracket	✓	Red, Amber, Green, Blue		9W	0.8kg
LR6-5M2PJBW-RYGBC	☐	Φ60	5	100 - 240V AC	Pole with Circular Bracket	✓	Red, Amber, Green, Blue, White		10.8W	0.86kg
LR6-302PJNW-RYGZ	☐	Φ60	3	24V DC	Pole with Circular Bracket		Red, Amber, Green	•	3.9W	0.58kg
LR6-302PJBW-RYGZ	☐	Φ60	3	24V DC	Pole with Circular Bracket	✓	Red, Amber, Green	•	5.2W	0.64kg
LR4-102QJNW-R/Y/G	☐	Φ40	1	24V DC	Pole with Folding Bracket		Red / Amber / Green		1.3W	0.455kg
LR4-202QJNW-RY/RG	☐	Φ40	2	24V DC	Pole with Folding Bracket		Red, Amber / Red, Green		2.6W	0.49kg
LR4-302QJNW-RYG	☐	Φ40	3	24V DC	Pole with Folding Bracket		Red, Amber, Green		3.9W	0.525kg
LR4-402QJNW-RYGB	☐	Φ40	4	24V DC	Pole with Folding Bracket		Red, Amber, Green, Blue		5.2W	0.56kg
LR4-502QJNW-RYGBC	☐	Φ40	5	24V DC	Pole with Folding Bracket		Red, Amber, Green, Blue, White		6.5W	0.595kg
LR4-102QJBW-R/Y/G	☐	Φ40	1	24V DC	Pole with Folding Bracket	✓	Red / Amber / Green		2.6W	0.49kg
LR4-202QJBW-RY/RG	☐	Φ40	2	24V DC	Pole with Folding Bracket	✓	Red, Amber / Red, Green		3.9W	0.525kg
LR4-302QJBW-RYG	☐	Φ40	3	24V DC	Pole with Folding Bracket	✓	Red, Amber, Green		5.2W	0.56kg
LR4-402QJBW-RYGB	☐	Φ40	4	24V DC	Pole with Folding Bracket	✓	Red, Amber, Green, Blue		6.5W	0.595kg
LR4-502QJBW-RYGBC	☐	Φ40	5	24V DC	Pole with Folding Bracket	✓	Red, Amber, Green, Blue, White		7.8W	0.63kg
LR6-102QJNW-R/Y/G	☐	Φ60	1	24V DC	Pole with Folding Bracket		Red / Amber / Green		1.3W	0.52kg
LR6-202QJNW-RY/RG	☐	Φ60	2	24V DC	Pole with Folding Bracket		Red, Amber / Red, Green		2.6W	0.58kg
LR6-302QJNW-RYG	☐	Φ60	3	24V DC	Pole with Folding Bracket		Red, Amber, Green		3.9W	0.64kg
LR6-402QJNW-RYGB	☐	Φ60	4	24V DC	Pole with Folding Bracket		Red, Amber, Green, Blue		5.2W	0.7kg
LR6-502QJNW-RYGBC	☐	Φ60	5	24V DC	Pole with Folding Bracket		Red, Amber, Green, Blue, White		6.5W	0.76kg
LR6-102QJBW-R/Y/G	☐	Φ60	1	24V DC	Pole with Folding Bracket	✓	Red / Amber / Green		2.6W	0.58kg
LR6-202QJBW-RY/RG	☐	Φ60	2	24V DC	Pole with Folding Bracket	✓	Red, Amber / Red, Green		3.9W	0.64kg
LR6-302QJBW-RYG	☐	Φ60	3	24V DC	Pole with Folding Bracket	✓	Red, Amber, Green		5.2W	0.7kg
LR6-402QJBW-RYGB	☐	Φ60	4	24V DC	Pole with Folding Bracket	✓	Red, Amber, Green, Blue		6.5W	0.76kg
LR6-502QJBW-RYGBC	☐	Φ60	5	24V DC	Pole with Folding Bracket	✓	Red, Amber, Green, Blue, White		7.8W	0.82kg
LR6-302WCNW-RYG	☐	Φ60	3	24V DC	Multi-mount / M12 Connector	✓	Red, Amber, Green		3.0W	0.35kg

Select Alarm Unit for Flashing / Alarm Function



Model Number	Size (mm)	Mass
LR4-BW/U	Φ40	0.035kg
LR5-BW/U/K	Φ50	0.05kg
LR5-BW+B0960	Φ50	0.05kg
LR6-BW/U	Φ60	0.06kg
LR6-BW+B0960	Φ60	0.06kg
LR7-BW/U/K	Φ70	0.07kg

Select LED Unit(s)



Model Number	Size (mm)	Luminous Color	Clear Lens	Mass
LR4-E-R/Y/G/B/C	Φ40	Red/ Amber /Green/Blue/White		0.035kg
LR4-E-RZ/YZ/GZ/BZ	Φ40	Red/ Amber/Green/Blue	•	0.035kg
LR5-E-R/Y/G/B/C	Φ50	Red/ Amber /Green/Blue/White		0.04kg
LR6-E-R/Y/G/B/C	Φ60	Red/ Amber /Green/Blue/White		0.04kg
LR6-E-RZ/YZ/GZ/BZ	Φ60	Red/ Amber/Green/Blue	•	0.06kg
LR6-E-MZ	Φ60	Multi-color 7 colors	•	0.06kg
LR7-E-R/Y/G/B/C	Φ70	Red/ Amber /Green/Blue/White		0.065kg
LR4-E-R/Y/G/B/C-A	Φ40	Red/ Amber /Green/Blue/White		0.035kg

Select Body Unit

Model Number	Size (mm)	Rated Voltage	Mounting	Wiring	Mass
LR4-02WJNW(U)	Φ40	24V DC	Direct	Cable	0.17kg
LR4-M2WJNW	Φ40	100~240V AC	Direct	Cable	0.25kg
LR5-01WJNW	Φ50	12V DC	Direct	Cable	0.2kg
LR5-02WJNW	Φ50	24V DC	Direct	Cable	0.2kg
LR6-02WJNW(U)	Φ60	24V DC	Direct	Cable	0.22kg
LR6-M2WJNW	Φ60	100~240V AC	Direct	Cable	0.32kg
LR7-02WJNW	Φ70	24V DC	Direct	Cable	0.24kg
LR5-02WTNW(U)(K)	Φ50	24V DC	Direct	Screwless Terminal Block	0.10kg
LR7-02WTNW(U)(K)	Φ70	24V DC	Direct	Screwless Terminal Block	0.15kg
LR5-02KTNW(U)(K)	Φ50	24V DC	Dual-mount with knockout holes	Screwless Terminal Block	0.10kg
LR7-02KTNW(U)(K)	Φ70	24V DC	Dual-mount with knockout holes	Screwless Terminal Block	0.15kg
LR4-02LJNW(U)	Φ40	24V DC	Pole with L-bracket	Cable	0.46kg
LR4-M2LJNW	Φ40	100~240V AC	Pole with L-bracket	Cable	0.54kg
LR5-01LJNW	Φ50	12V DC	Pole with L-bracket	Cable	0.49kg
LR5-02LJNW	Φ50	24V DC	Pole with L-bracket	Cable	0.49kg

LR6-02WJNW



① Size 4 = Φ40 5 = Φ50 6 = Φ60 7 = Φ70	② Rated Voltage 01 = 12V DC*1 02 = 24V DC M2 = 100 - 240V AC*2	③ Mounting/Wiring WJ = Direct Mount/Cable WT = Direct Mount/Terminal*3 KT = Knock-outs Mount/Terminal*3 WC = Direct Mount/M12 Connector*4 LJ = Pole Mount with L-bracket/Cable*5 PJ = Pole Mount with Circular Bracket/Cable*5 QJ = Pole Mount with Folding Bracket/Cable*5	④ Flashing/Buzzer N = No Flashing/Buzzer	⑤ Body Color W = Off-white U = Silver K = Black*7
--	---	--	---	--

*1. For LR5 models only
*2. For LR4 and LR6 models with WJ, LJ, and PJ mounting
*3. For LR5, LR7 24V DC models only
*4. For LR6 24V DC models only
*5. For LR4, LR5 and LR6 models
*6. For LR4 and LR6 models with 24V DC, Off-white body only
*7. For LR5, LR7 models only

3 Easy Steps

1 Remove the Head Cover to setup the Body Unit

2 Attach from bottom to top, one LED Unit at a time to the Body Unit

3 Reattach the Head Cover or attach the Alarm Unit

Setup Video
Scan the QR code to see how easy the LR is to configure.



Model Number	Size (mm)	Rated Voltage	Mounting	Wiring	Mass
LR6-02LJNW(U)	Φ60	24V DC	Pole with L-bracket	Cable	0.5kg
LR6-M2LJNW	Φ60	100~240V AC	Pole with L-bracket	Cable	0.6kg
LR4-02PJNW(U)	Φ40	24V DC	Pole with Circular Bracket	Cable	0.36kg
LR4-M2PJNW	Φ40	100~240V AC	Pole with Circular Bracket	Cable	0.44kg
LR5-01PJNW	Φ50	12V DC	Pole with Circular Bracket	Cable	0.38kg
LR5-02PJNW	Φ50	24V DC	Pole with Circular Bracket	Cable	0.38kg
LR6-02PJNW(U)	Φ60	24V DC	Pole with Circular Bracket	Cable	0.4kg
LR6-M2PJNW	Φ60	100~240V AC	Pole with Circular Bracket	Cable	0.5kg
LR6-M2PJNA	Φ60	100~240V AC	Pole with Circular Bracket	Cable	0.5kg
LR4-02QJNW	Φ40	24V DC	Pole with Folding Bracket	Cable	0.42kg
LR6-02QJNW	Φ60	24V DC	Pole with Folding Bracket	Cable	0.46kg
LR6-02WCNW	Φ60	24V DC	Multiple	M12 Connector	0.17kg

Removable Screwless Terminal

New removable terminal for easy wiring.

Terminal Block can be removed

Outer Dimensional Drawing (Unit: mm)

Mount A [WJ] Direct Mount/Cable
(01: 12V DC / 02: 24V DC) (M2: 100-240V AC)

Mount B [LJ] Pole Mount with L-bracket & Cable
(01: 12V DC / 02: 24V DC) (M2: 100-240V AC)

Panel Thickness: 7mm max
Cable Length: (1300)
U type: (3300)
Cable Diameter: $\phi 7.5$

No.	Description	Material
1	Buzzer Unit	PC
2	Head Cover	PC
3	LED Unit	Lens: PC
4	Body	PC
5	Direct Mount Bracket	PC
6	Waterproof Packing	Silicone Rubber
7	Cable	PVC

Mount A [PJ] Pole Mount with Circular Bracket & Cable
(01: 12V DC / 02: 24V DC) (M2: 100-240V AC)

Mount C [QJ] Pole Mount with Folding Bracket & Cable
(01: 12V DC / 02: 24V DC) (M2: 100-240V AC)

Mount D [WC] Direct Mount with M12 Connector
(02: 24V DC)

Panel Thickness: 10mm max

No.	Description	Material
1	Buzzer Unit	PC
2	LED Unit	Lens: PC
3	Body	PC
4	Pole Bracket	PC
5	Pole	AL
6	Circular Bracket	PC
7	Waterproof Packing	Silicon Rubber
8	Cable	PVC

No.	Description	Material
1	Buzzer Unit	PC
2	LED Unit	Lens: PC
3	Body	PC
4	Pole Bracket	PC
5	Pole	AL
6	Folding Bracket	PC
7	Waterproof Packing	CR
8	Cable	PVC

No.	Description	Material
1	Head Cover	PC
2	LED Unit	Lens: PC
3	Body	PC
4	Direct Mount Bracket	PC
5	Waterproof Packing	Silicone Rubber
6	M30 Nut	PC

Mounting Dimensions (Unit: mm)

Mount A Mounting Diagram [WJ] / [PJ] / [WT] / [KT]

Mount B Mounting Diagram [LJ]

Mount C Mounting Diagram [QJ]

Mount D Mounting Dimensional Drawing [WC]

Signal Tower Optional Parts and Poles

	Model Number	Corresponding Model			
		LR4	LR5	LR6	LR7
	SZP-001W[U][K]	PJ, QJ	PJ, KT *1	PJ, QJ	KT *1
	SZP-002U	PJ, QJ	PJ, KT *1	PJ, QJ	KT *1
	SZP-003W[U][K]	PJ, QJ	PJ, KT *1	PJ, QJ	KT *1
	SZP-090U	WJ	WJ, WT, KT *2	-	-
	SZP-091U	-	-	WJ	WJ, WT, KT *2
	SZL-001	LJ	LJ, KT *1	LJ	LJ, KT *1
	SZQ-001W	PJ, QJ	PJ, KT *1	PJ, QJ	KT *1
	SZK-001U	LJ, PJ, QJ	LJ, PJ, KT *1	LJ, PJ, QJ	KT *1
	SZK-002W[U][K]	WJ	WJ, WT, KT *2	-	-
	SZK-003W[U][K]	-	-	WJ	WJ, WT, KT *2
	SZK-004W	-	-	WJ	WJ, WT, KT *2
	SZW-001W	WJ	WJ, WT, KT *2	WJ	-

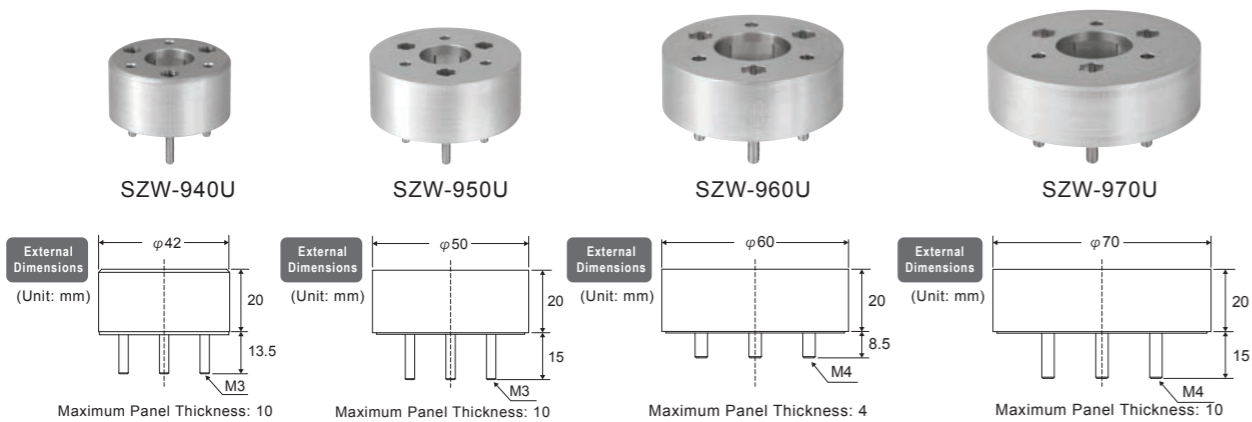
*1 Required pole and pole waterproof ring are not included with KT. *2 KT Direct Mount (Using accessory)

Aluminum Poles

Aluminum Poles (2 self-tapping screws included)
 *Do not cut pole with a pole cutter. Use a fret saw, power saw, or jigsaw.
 *To convert from direct mount to pole mount, be sure to purchase the appropriate bracket and pole combination to make the change.

Pole Type	Model Number	SZP-001W	SZP-002U	SZP-003W	SZQ-001W	SZK-001U	SZL-001
AN Type	POLE22-0100AN[K] 100mm	○	○	○	○	○	×
	POLE22-0300AN[K] 300mm	○	○	○	○	○	×
	POLE22-0500AN 500mm	×	○	×	×	○	×
	POLE22-0800AN[K] 800mm	×	○	×	×	○	×
T Type	POLE22-1000AN 1000mm	×	○	×	×	○	×
	POLE22-0100AT 100mm	×	×	×	×	○	○
	POLE22-0300AT 300mm	×	×	×	×	○	○
	POLE22-0500AT 500mm	×	×	×	×	○	○
	POLE22-0800AT 800mm	×	×	×	×	○	○
	POLE22-1000AT 1000mm	×	×	×	×	○	○

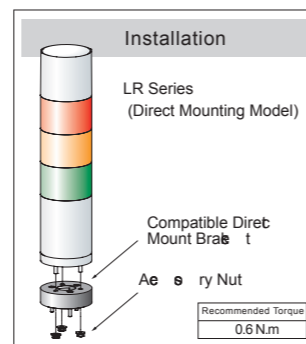
Conversion Brackets



The Conversion Brackets allow you to install the LR Series Signal Towers using pre-existing mounting holes from previous models.

Model Number	Required Hardware
SZW-940U	Nut with Flange (M3) x 3
SZW-950U	
SZW-960U	Nut with Flange (M4) x 3
SZW-970U	

Model Number	Size (mm)	Corresponding Models	
		Previous	New
SZW-940U	$\phi 40$	LCE-W LCE-AW	LR4-WJ
SZW-950U	$\phi 50$	LE-W LES-AW LU5	LR5-WJ LR5-WT
SZW-960U	$\phi 60$	LME-W	LR6-WJ
SZW-970U	$\phi 70$	LHE LU7	LR7-WJ LR7-WT



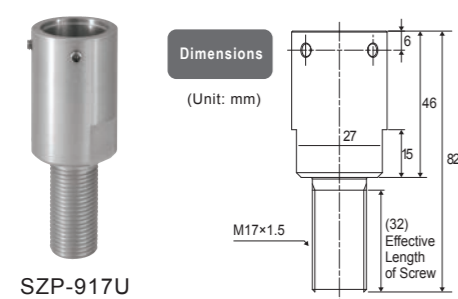
⚠ Pole mounting is not compatible.



	Type	Material	Pole Diameter
Previous product	LCE-A, LCS	Steel	$\phi 17.3$
	LE, LES	Steel	$\phi 17.3$
	LU5	-	-
	LME, LMS	L: Steel, P: Aluminum	$\phi 21.7$
	LHE	-	-
New product	LU7	-	-
	LR	Aluminum	$\phi 21.7$

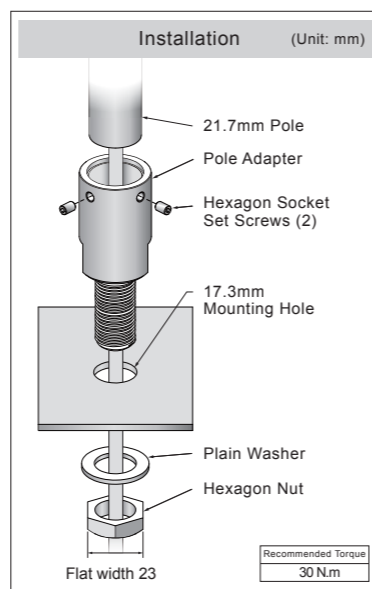
Pole Adapter

This adapter is used to install the LR Series Poles (21.7mm diameter) into preexisting 17.3mm diameter holes.



Accessory
Hexagon Socket Set Screws x 2
Hexagon Nut (M17) x 1
Plain Washer ($\phi 17.5 \times \phi 28 \times t2.0$) x 1

Model Number	Corresponding Models	
	Previous	New
SZP-917U	LCE/LCE-A LCS/LCS-A LE/LES-A	LR□-□□□LJ□□ POLE22-□□□□AT



Signal Tower with Switch Box

HSST

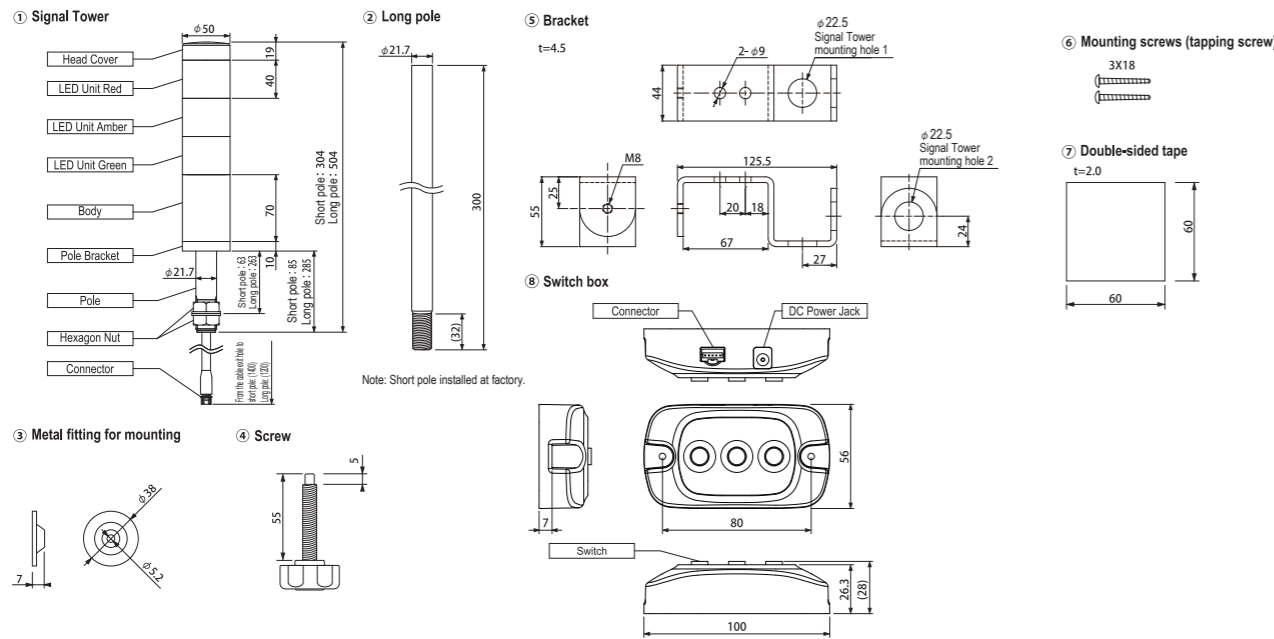
- Φ50 mm**
- LED**
- Indoor Use**
- Upright Mounting**
- Ambient Temperature 0°C~+40°C**
- Red, Amber, Green**
- Continuous On**
- CE**
- RoHS 10**
- UL**
- FCC**
- IP54 (Signal Tower)**
- IP20 (Switch box)**
- * FB278 only



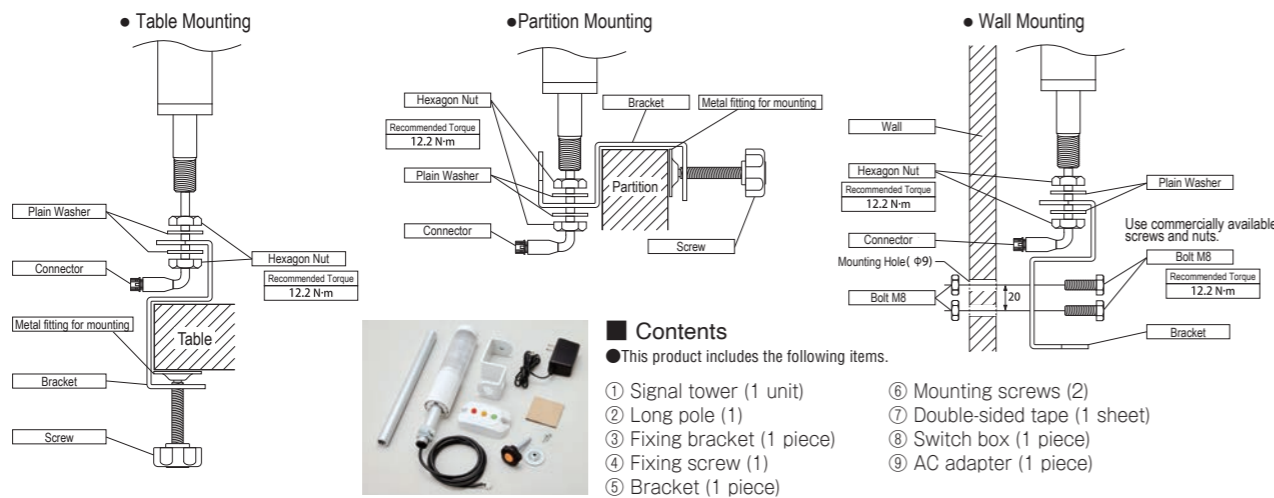
Product List

Model Number	Rated Voltage	Power Consumption	Mass
HSST-3M2-RYG	100~240V AC	4W	Signal Tower with short pole: 0.36kg; Signal Tower with long pole: 0.47kg; Bracket: 0.33kg;
HSST-3M2N-RYG+FB278			Switch box: 0.07kg, Mounting cup and screw: 0.05kg.

Dimensions (mm)



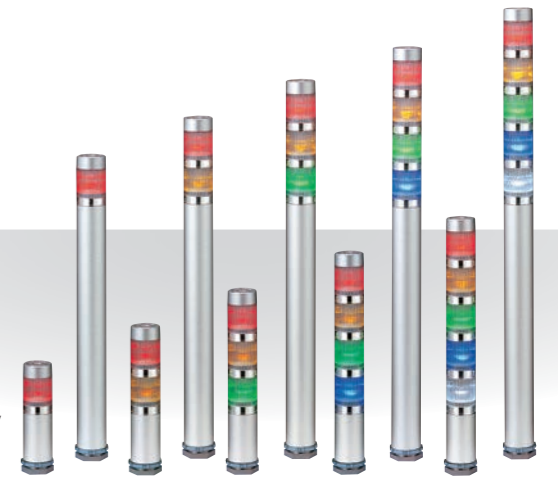
Mounting Method



Signal Tower

ME-A/MES-A

- Φ25 mm**
- LED**
- Indoor Use**
- Upright Mounting**
- Ambient Temperature -10°C~+55°C**
- Red, Amber, Green, Blue, White**
- Change Number of Tiers**
- Continuous On**
- CE**
- RoHS 10**
- UL**
- IP42**



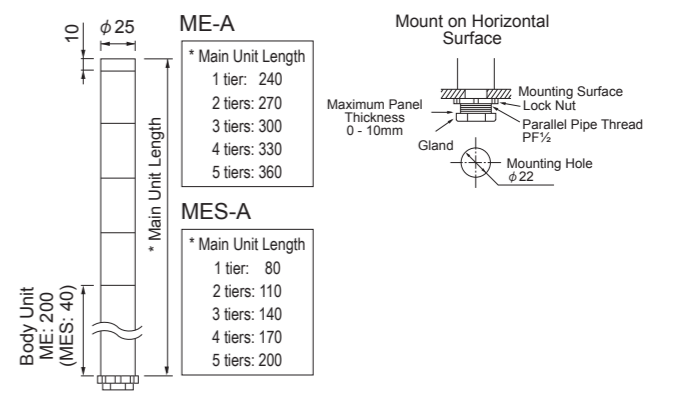
ME-A: Standard, 200mm long body
 MES-A: Short, 40mm long body
 (Clear lens specification)

Model Number Configuration

ME-302A-RYG

- ① Model: ME = Standard body type, MES = Short body type
- ② Number of Tiers: 1 = 1 tier, 2 = 2 tiers, 3 = 3 tiers, 4 = 4 tiers, 5 = 5 tiers
- ③ Rated Voltage: 02 = 24V DC
- ④ Luminous Color: R = Red, Y = Amber, G = Green, B = Blue, C = White (Top to bottom)

Dimensions (mm)



Product List

Model Number	Body	Number of Tiers	Rated Voltage	Luminous Color	Power Consumption	Mass (ME)	Mass (MES)
ME/MES-102A-R	Standard body / Short body	1	24V DC	Red	0.8W	0.22kg	0.12kg
ME/MES-102A-Y	Standard body / Short body	1	24V DC	Amber	0.8W	0.22kg	0.12kg
ME/MES-102A-G	Standard body / Short body	1	24V DC	Green	0.5W	0.22kg	0.12kg
ME/MES-102A-B	Standard body / Short body	1	24V DC	Blue	0.5W	0.22kg	0.12kg
ME/MES-102A-C	Standard body / Short body	1	24V DC	White	0.5W	0.22kg	0.12kg
ME/MES-202A-RY	Standard body / Short body	2	24V DC	Red, Amber	1.5W	0.23kg	0.13kg
ME/MES-202A-RG	Standard body / Short body	2	24V DC	Red, Green	1.2W	0.23kg	0.13kg
ME/MES-302A-RYG	Standard body / Short body	3	24V DC	Red, Amber, Green	1.9W	0.24kg	0.14kg
ME/MES-402A-RYGB	Standard body / Short body	4	24V DC	Red, Amber, Green, Blue	2.3W	0.25kg	0.15kg
ME/MES-502A-RYGBC	Standard body / Short body	5	24V DC	Red, Amber, Green, Blue, White	2.7W	0.26kg	0.16kg

Specification

Supported Transistors	NPN
-----------------------	-----

Optional Parts

Product Name	Model Number	Specification
L-Bracket	SZL-001	-

For details refer to P. 93 to P. 98

Optional Parts for Unit Reconfiguration

Product Description	Model Number
Red LED Unit with clear Lens	B72100223-1F1
Amber LED Unit with clear Lens	B72100223-2F1
Green LED Unit with clear Lens	B72100115-3F1
Blue LED Unit with clear Lens	B72100115-4F1
White LED Unit with clear Lens	B72100115-7F1

Product Description	Model Number
Center Shaft for 1-tier	S33552110-0346F1
Center Shaft for 2-tier	S33552110-0376F1
Center Shaft for 3-tier	S33552110-03108F1
Center Shaft for 4-tier	S33552110-03138F1
Center Shaft for 5-tier	S33552110-03168F1

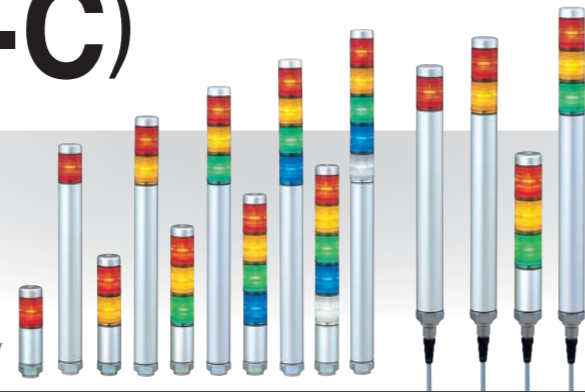
Signal Tower

MP(-C)/MPS(-C)

φ30 mm
LED
Indoor Use
Upright Mounting
Ambient Temperature -30°C~+60°C
Ambient Temperature -20°C~+60°C
Red, Amber, Green, Blue, White
Optional MP-B Buzzer

Red, Amber, Green
Change Number of Tiers
Continuous On
CE
RoHS 10
UL
IP65

M12 Type Wire Leads Type
 M12 Type Wire Leads Type
 MP type: Standard, 220mm long body
 MPS type: Short, 45mm long body



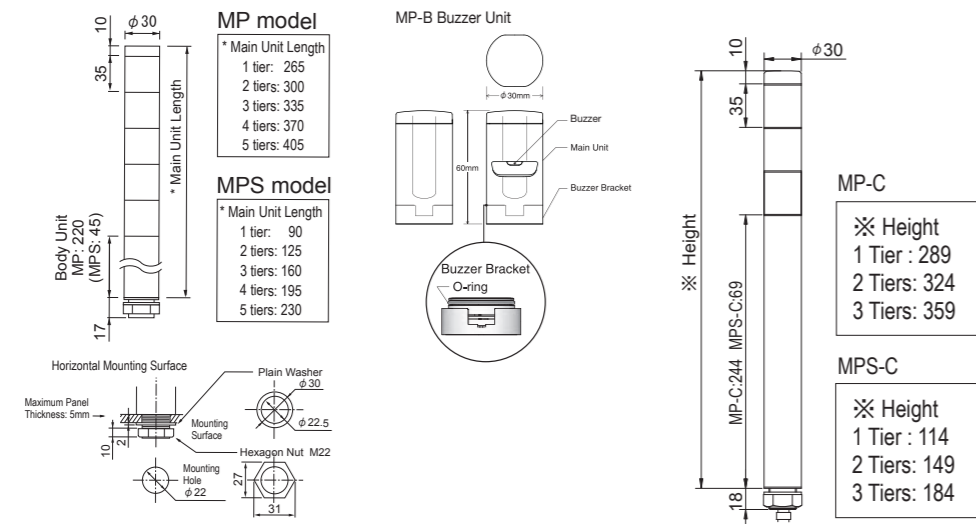
Model Number Configuration

MP-302C-RYG+FB247

- ①
- ②
- ③
- ④
- ⑤
- ⑥

① Model MP = Standard Body MPS = Short Body	③ Rated Voltage 02 = 24V AC / DC	⑤ Luminous Color R = Red Y = Amber G = Green B = Blue C = White (Top to bottom)	⑥ Special Number +FB247 = MPS-302C
② Tiers 1 = 1 Tier 2 = 2 Tiers 3 = 3 Tiers 4 = 4 Tiers 5 = 5 Tiers	④ Lead Type None = Wire Leads C = M12 Quick Disconnect		

Dimensions (mm)



Product List

Model Number	Body	Number of Tiers	Rated Voltage	Luminous Color	Power Consumption	Mass
MP-102-R	Standard body	1	24V AC / DC	Red	0.8W	0.21kg
MP-102-Y	Standard body	1	24V AC / DC	Amber	0.9W	0.21kg
MP-102-G	Standard body	1	24V AC / DC	Green	0.6W	0.21kg
MP-102-B	Standard body	1	24V AC / DC	Blue	0.6W	0.21kg
MP-102-C	Standard body	1	24V AC / DC	White	0.6W	0.21kg
MP-202-RY	Standard body	2	24V AC / DC	Red, Amber	1.7W	0.23kg
MP-202-RG	Standard body	2	24V AC / DC	Red, Green	1.3W	0.23kg
MP-302-RYG	Standard body	3	24V AC / DC	Red, Amber, Green	2.2W	0.25kg
MP-402-RYGB	Standard body	4	24V AC / DC	Red, Amber, Green, Blue	2.7W	0.27kg
MP-502-RYGBC	Standard body	5	24V AC / DC	Red, Amber, Green, Blue, White	3.2W	0.29kg
MPS-102-R	Short body	1	24V AC / DC	Red	0.8W	0.11kg
MPS-102-Y	Short body	1	24V AC / DC	Amber	0.9W	0.11kg
MPS-102-G	Short body	1	24V AC / DC	Green	0.6W	0.11kg
MPS-102-B	Short body	1	24V AC / DC	Blue	0.6W	0.11kg
MPS-102-C	Short body	1	24V AC / DC	White	0.6W	0.11kg
MPS-202-RY	Short body	2	24V AC / DC	Red, Amber	1.7W	0.13kg
MPS-202-RG	Short body	2	24V AC / DC	Red, Green	1.3W	0.13kg
MPS-202-YG	Short body	2	24V AC / DC	Amber, Green	1.4W	0.13kg
MPS-302-RYG	Short body	3	24V AC / DC	Red, Amber, Green	2.2W	0.15kg
MPS-402-RYGB	Short body	4	24V AC / DC	Red, Amber, Green, Blue	2.7W	0.17kg
MPS-502-RYGBC	Short body	5	24V AC / DC	Red, Amber, Green, Blue, White	3.2W	0.19kg
MP-102C-R	Standard body	1	24V DC	Red	0.8W	0.24kg
MP-102C-Y	Standard body	1	24V DC	Amber	0.8W	0.24kg
MP-102C-G	Standard body	1	24V DC	Green	0.6W	0.24kg
MP-202C-RG	Standard body	2	24V DC	Red, Green	1.3W	0.26kg
MP-202C-YG	Standard body	2	24V DC	Amber, Green	1.3W	0.26kg
MP-202C-GR	Standard body	2	24V DC	Green, Red	1.3W	0.26kg
MP-302C-RYG	Standard body	3	24V DC	Red, Amber, Green	2.1W	0.28kg
MP-302C-YGR	Standard body	3	24V DC	Amber, Green, Red	2.1W	0.28kg
MPS-302C-RYG+FB247	Short body	3	24V DC	Red, Amber, Green	2.1W	0.18kg

Specification

Supported Transistors	NPN / PNP (Wire Leads type) NPN (M12 type)
------------------------------	---

Optional Parts

For details refer to P. 93 to P. 98

Product Name	Model Number	Specification
L-Bracket	SZL-001	-
*Alarm Unit	MP-B	24V AC/DC, 0.7W, 80 dB at 1m

* Operates with Red LED module.

Optional Parts for Unit Reconfiguration

Product Name	Model Number	Product Name	Model Number
Red LED Unit	B72100182-1F1	Center Shaft for 1-tier	S33552120-0355F1
Amber LED Unit	B72100182-2F1	Center Shaft for 2-tier	S33552120-0390F1
Green LED Unit	B72100182-3F1	Center Shaft for 3-tier	S33552120-03125F1
Blue LED Unit	B72100182-4F1	Center Shaft for 4-tier	S33552120-03160F1
White LED Unit	B72100182-7F1	Center Shaft for 5-tier	S33552120-03195F1

Signal Tower

LS7

- Φ70 mm**
- LED**
- Indoor Use**
- Upright Mounting**
- Ambient Temperature -30°C~+60°C**
- Red, Amber, Green, Blue, White**
- Continuous On**
- 60 Flashes per Minute**
- 85dB**
- 2 Alarm Sounds**
- RoHS 10**
- UL**
- IP65**
- IP54 with Alarm**



Continuous On Type
 LS7-WH (lead wires)
 LS7-WC (M12 connector)

Flashing and Alarm Type
 LS7-FBWH [Continuous on/flashing/2 alarms] (Lead wires)
 LS7-FBWC [Continuous on/1 alarm] (M12 connector)

(Clear lens specification)

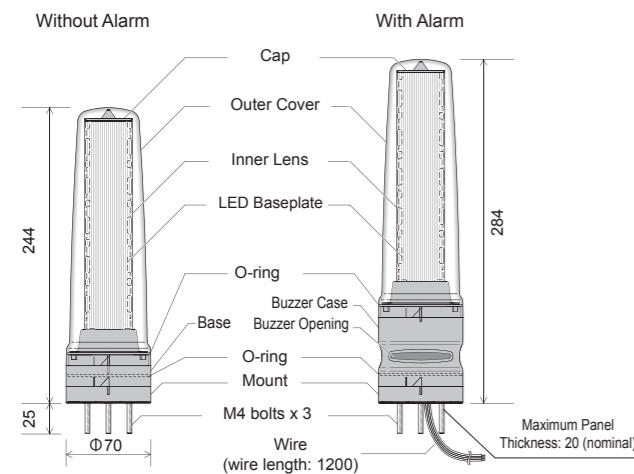
Model Number Configuration

LS7-502SFBWH-RYGBC

- ①
- ②
- ③
- ④
- ⑤
- ⑥

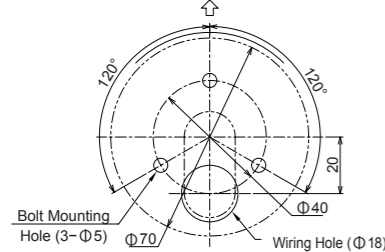
① Number of LED Segments 3 = 3 segments 5 = 5 segments	③ Body Color None = Off-white D = Dark gray S = Silver	④ Flashing / Buzzer* None = No flashing, no alarm FB = Flashing/Buzzer for lead wire type only B = No flashing, with alarm for M12 connector type only *FB type includes flashing function and two alarm sounds. Only available for lead wire type. *B type does not include flashing function and has one continuous alarm sound. Only available for M12 connector type.	⑤ Wiring Method C = M12 connector H = Lead wire	⑥ Luminous Color RYGNN = Red, Amber, Green RYGBC = Red, Amber, Green, Blue, White (Top to bottom. Sequence cannot be changed)
② Rated Voltage 02 = 24V DC				

Dimensions (mm)



Installation Dimension Drawings

Product Front (Buzzer opening side)



Specification

Supported Transistor	NPN / PNP
Alarm Sound	2 type (pipipi/piropiro) / 1 type (pee)
Volume Control	Rotating switch

Optional Parts

For details refer to P. 93 to P. 98

Product Name	Model Number
Platform Bracket (off-white)	SZ-100
Platform Bracket (dark gray)	SZ-100D
Platform Bracket (silver)	SZ-100S
Wall Mount Bracket (off-white)	SZ-110
Wall Mount Bracket (dark gray)	SZ-110D
Wall Mount Bracket (silver)	SZ-110S
Multi-mount Bracket (off-white)	SZ-130
Multi-mount Bracket (dark gray)	SZ-130D
Multi-mount Bracket (silver)	SZ-130S
M12 Connector with 2m cable (OMRON part number)	SZ-120-02 (XS2F-D821-DH0-R)
M12 Connector with 5m cable (OMRON part number)	SZ-120-05 (XS2F-D821-GH0-R)
M12 Connector with 10m cable (OMRON part number)	SZ-120-10 (XS2F-D821-JH0-R)

Product List

Model Number	Number of Tiers	Rated Voltage	Body Color	Function	Buzzer	Wiring Method	Luminous Color	Power Consumption	Mass
LS7-302SFBWH-RYGNN	3	24V DC	Silver	Continuous On and flashing	Yes	lead wire	Red, Amber, Green	3.8W	0.37kg
LS7-302BWC-RYGNN	3	24V DC	Off-white	Continuous On	Yes	M12 connector	Red, Amber, Green	4.1W	0.26kg
LS7-302DBWC-RYGNN	3	24V DC	Dark gray	Continuous On	Yes	M12 connector	Red, Amber, Green	4.1W	0.35kg
LS7-302DFBWH-RYGNN	3	24V DC	Dark gray	Continuous On and flashing	Yes	lead wire	Red, Amber, Green	3.8W	0.37kg
LS7-302DWC-RYGNN	3	24V DC	Dark gray	Continuous On	None	M12 connector	Red, Amber, Green	2.8W	0.26kg
LS7-302DWH-RYGNN	3	24V DC	Dark gray	Continuous On	None	lead wire	Red, Amber, Green	2.8W	0.28kg
LS7-302FBWH-RYGNN	3	24V DC	Off-white	Continuous On and flashing	Yes	lead wire	Red, Amber, Green	3.8W	0.37kg
LS7-302SBWC-RYGNN	3	24V DC	Silver	Continuous On	Yes	M12 connector	Red, Amber, Green	4.1W	0.35kg
LS7-302SWC-RYGNN	3	24V DC	Silver	Continuous On	None	M12 connector	Red, Amber, Green	2.8W	0.26kg
LS7-302SWH-RYGNN	3	24V DC	Silver	Continuous On	None	lead wire	Red, Amber, Green	2.8W	0.28kg
LS7-302WC-RYGNN	3	24V DC	Off-white	Continuous On	None	M12 connector	Red, Amber, Green	2.8W	0.26kg
LS7-302WH-RYGNN	3	24V DC	Off-white	Continuous On	None	lead wire	Red, Amber, Green	2.8W	0.28kg
LS7-502BWC-RYGBC	5	24V DC	Off-white	Continuous On	Yes	M12 connector	Red, Amber, Green, Blue, White	6.0W	0.35kg
LS7-502DBWC-RYGBC	5	24V DC	Dark gray	Continuous On	Yes	M12 connector	Red, Amber, Green, Blue, White	6.0W	0.35kg
LS7-502DFBWH-RYGBC	5	24V DC	Dark gray	Continuous On and flashing	Yes	lead wire	Red, Amber, Green, Blue, White	5.7W	0.37kg
LS7-502DWC-RYGBC	5	24V DC	Dark gray	Continuous On	None	M12 connector	Red, Amber, Green, Blue, White	4.7W	0.26kg
LS7-502DWH-RYGBC	5	24V DC	Dark gray	Continuous On	None	lead wire	Red, Amber, Green, Blue, White	4.7W	0.28kg
LS7-502FBWH-RYGBC	5	24V DC	Off-white	Continuous On and flashing	Yes	lead wire	Red, Amber, Green, Blue, White	5.7W	0.37kg
LS7-502SBWC-RYGBC	5	24V DC	Silver	Continuous On	Yes	M12 connector	Red, Amber, Green, Blue, White	6.0W	0.35kg
LS7-502SFBWH-RYGBC	5	24V DC	Silver	Continuous On and flashing	Yes	lead wire	Red, Amber, Green, Blue, White	5.7W	0.37kg
LS7-502SWC-RYGBC	5	24V DC	Silver	Continuous On	None	M12 connector	Red, Amber, Green, Blue, White	4.7W	0.26kg
LS7-502SWH-RYGBC	5	24V DC	Silver	Continuous On	None	lead wire	Red, Amber, Green, Blue, White	4.7W	0.28kg
LS7-502WC-RYGBC	5	24V DC	Off-white	Continuous On	None	M12 connector	Red, Amber, Green, Blue, White	4.7W	0.26kg
LS7-502WH-RYGBC	5	24V DC	Off-white	Continuous On	None	lead wire	Red, Amber, Green, Blue, White	4.7W	0.28kg

Signal Tower

LGE

- Φ100 mm
- LED
- Indoor Use
- Upright Mounting
- Ambient Temperature -30°C~+60°C
- Red, Amber, Green, Blue, White
- Continuous On
- 60 Flashes per Minute
- 85dB
- 1 Alarm Sounds
- CE (24V DC)
- RoHS 10
- IP54

LGE Type: Continuous on
LGE-FB Type: Continuous on, flashing/alarm



Model Number Configuration

LGE-402FB-RYGB

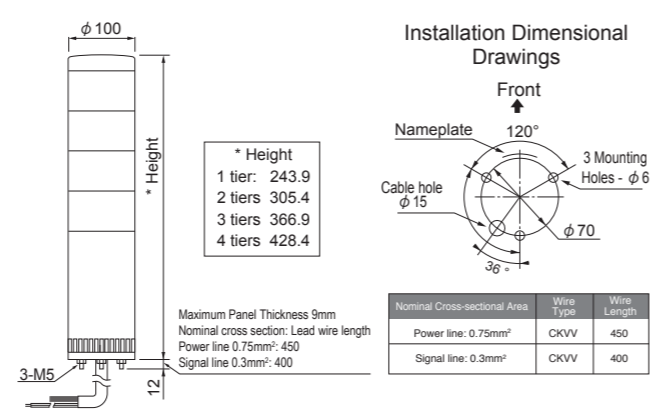
① Number of Tiers
1 = 1 tier
2 = 2 tiers
3 = 3 tiers
4 = 4 tiers

② Rated Voltage
02 = 24V AC / DC
10 = 100V AC
20 = 220V AC

③ Flashing / Buzzer
None = No flashing, no buzzer
FB = With flashing and buzzer

④ Luminous Color
R = Red B = Blue
Y = Amber C = White
G = Green (Top to bottom)

Dimensions (mm)



Product List

Without Alarm				
Model Number	Rated Voltage	Number of Tiers	Power Consumption	Mass
LGE-102	24V AC/DC	1	2.0W	0.4kg
LGE-202		2	4.0W	0.6kg
LGE-302		3	6.0W	0.8kg
LGE-402		4	8.0W	0.9kg
LGE-110	100V AC	1	5.2W	1.0kg
LGE-210		2	7.7W	1.2kg
LGE-310		3	10.2W	1.4kg
LGE-410		4	12.7W	1.5kg
LGE-120	220 - 240V AC	1	5.2W	1.0kg
LGE-220		2	7.7W	1.2kg
LGE-320		3	10.2W	1.4kg
LGE-420		4	12.7W	1.5kg

With Flashing (60 fpm) and Alarm				
Model Number	Rated Voltage	Number of tiers	Power Consumption	Mass
LGE-102FB	24V AC/DC	1	2.5W	0.4kg
LGE-202FB		2	4.5W	0.6kg
LGE-302FB		3	6.5W	0.8kg
LGE-402FB		4	8.5W	0.9kg
LGE-110FB	100V AC	1	5.7W	1.0kg
LGE-210FB		2	8.2W	1.2kg
LGE-310FB		3	10.7W	1.4kg
LGE-410FB		4	13.2W	1.5kg
LGE-120FB	220 - 240V AC	1	5.7W	1.0kg
LGE-220FB		2	8.2W	1.2kg
LGE-320FB		3	10.7W	1.4kg
LGE-420FB		4	13.2W	1.5kg

Specification

Supported Transistor	NPN / PNP
Alarm Sound	1 type (Pipopipo)
Volume Control	Not adjustable

Optional Parts

For details refer to P. 93 to P. 98

Product Name	Model Number
Wall Mount Bracket	SZ-008
Wall Mount Bracket with Cover	SZ-023

Optional Parts for Unit Reconfiguration

Product Name	Model Number
Red LED Unit	B32100004-1F1
Amber LED Unit	B32100004-2F1
Green LED Unit	B32100004-3F1
Blue LED Unit	B32100004-4F1
White LED Unit	B32100004-7F1

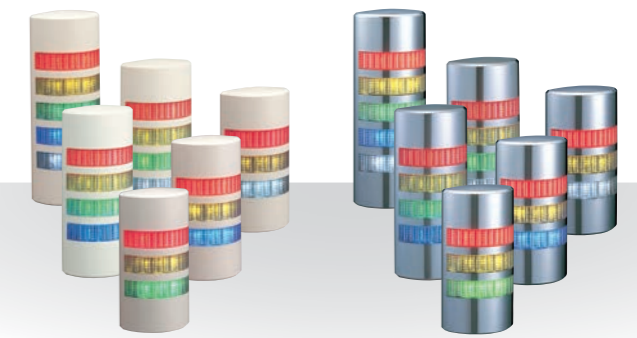
Product Name	Model Number
Center Shaft for 1-tier	B62910028-1F1
Center Shaft for 2-tiers	B62910028-2F1
Center Shaft for 3-tiers	B62910028-3F1
Center Shaft for 4-tiers	B62910028-4F1

Wall Mount Signal Tower

WEP/WE

- W90 × D37.5
- LED
- Indoor Use
- Upright Mounting
- Ambient Temperature -30°C~+60°C
- Red, Amber, Green, Blue, White
- Continuous On
- 60 Flashes per Minute
- 90dB
- 2 Alarm Sounds
- CE
- RoHS 10
- UL
- IP65
- IP54 with Alarm

*Clear lens. Lens is translucent when off.



Light gray
WEP Type: Continuous on
WEP-FB Type: Continuous on, flashing / alarm

Chrome-plated
WE Type: Continuous on
WE-FB Type: Continuous on, flashing / alarm

Model Number Configuration

WEP-502FB-RYGBC

① Model
WE = Chrome-plated
WEP = Light gray

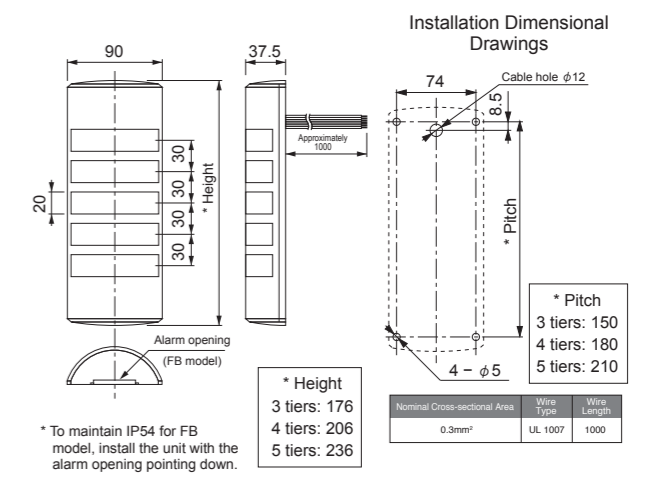
② Number of Tiers
3 = 3 tiers
4 = 4 tiers

③ Rated Voltage
02 = 24V AC / DC

④ Flashing / Buzzer
None = No flashing, no buzzer
FB = With flashing and buzzer

⑤ Luminous Color
R = Red B = Blue
Y = Amber C = White
G = Green (Top to bottom)

Dimensions (mm)



Specification

Supported Transistor	NPN / PNP
Alarm Sound	Buzzer 1 (Pipipi...), Buzzer 2 (Peee, peee, peee)
Volume Control	Not adjustable

Product List

Model Number	Cover	Number of Tiers	Rated Voltage	Function	Buzzer	Luminous Color	Power Consumption	Mass
WE/WEP-302-RYG	Chrome-plated / Light gray	3	24V AC/DC	Continuous On	None	Red, Amber, Green	1.9W	0.30kg
WE/WEP-302-RYB	Chrome-plated / Light gray	3	24V AC/DC	Continuous On	None	Red, Amber, Blue	1.9W	0.30kg
WE/WEP-302-RYC	Chrome-plated / Light gray	3	24V AC/DC	Continuous On	None	Red, Amber, White	1.9W	0.30kg
WE/WEP-302FB-RYG	Chrome-plated / Light gray	3	24V AC/DC	Continuous On and flashing	Yes	Red, Amber, Green	3.1W	0.30kg
WE/WEP-302FB-RYB	Chrome-plated / Light gray	3	24V AC/DC	Continuous On and flashing	Yes	Red, Amber, Blue	3.1W	0.30kg
WE/WEP-302FB-RYC	Chrome-plated / Light gray	3	24V AC/DC	Continuous On and flashing	Yes	Red, Amber, White	3.1W	0.30kg
WE/WEP-402-RYGB	Chrome-plated / Light gray	4	24V AC/DC	Continuous On	None	Red, Amber, Green, Blue	2.4W	0.33kg
WE/WEP-402-RYGC	Chrome-plated / Light gray	4	24V AC/DC	Continuous On	None	Red, Amber, Green, White	2.4W	0.33kg
WE/WEP-402FB-RYGB	Chrome-plated / Light gray	4	24V AC/DC	Continuous On and flashing	Yes	Red, Amber, Green, Blue	3.6W	0.33kg
WE/WEP-402FB-RYGC	Chrome-plated / Light gray	4	24V AC/DC	Continuous On and flashing	Yes	Red, Amber, Green, White	3.6W	0.33kg
WE/WEP-502-RYGBC	Chrome-plated / Light gray	5	24V AC/DC	Continuous On	None	Red, Amber, Green, Blue, White	2.9W	0.35kg
WE/WEP-502FB-RYGBC	Chrome-plated / Light gray	5	24V AC/DC	Continuous On and flashing	Yes	Red, Amber, Green, Blue, White	4.1W	0.35kg

Wall Mount Signal Tower

WME-D

- W70 x D80.2
- LED
- Indoor Use
- Upright Mounting
- Ambient Temperature -10°C~+55°C
- Red, Amber, Green, Blue, White
- Change Number of Tiers
- Continuous On
- 60 Flashes per Minute
- 93dB
- 2 Alarm Sounds
- CE
- RoHS 10
- UL
- IP54



Model Number Configuration

WME-502DFB-RYGBC



- ① Number of Tiers
1 = 1 tier
2 = 2 tiers
3 = 3 tiers
- ② Rated Voltage
02 = 24V DC
M2 = 100-240 V AC
- ③ Flashing / Buzzer
None = No flashing, no buzzer
FB = With flashing and buzzer
- ④ Luminous Color
R = Red
Y = Amber
G = Green
B = Blue
C = White
(Top to bottom)

Dimensions (mm)

Installation Dimensional Drawings

* Height (mm)
1 tier: 106
2 tiers: 147
3 tiers: 188
4 tiers: 229
5 tiers: 270

Alarm opening (FB model)

80.2

Φ5

12.5 (8.4)

8

Cable mounting hole Φ16

33.2

1 Tier 83.5

2 Tiers 116.7

3 Tiers 157.9

4 Tiers 199.1

5 Tiers 240.3

Power Supply Wire: Nominal Cross-sectional Area: 0.2mm², Wire Type: UL1061, Wire Length: 1100

Signal Wire: Nominal Cross-sectional Area: 0.2mm², Wire Type: UL1061, Wire Length: 1100

(M2 Type)
Power Supply Wire: Nominal Cross-sectional Area: 0.8mm², Wire Type: UL1015, Wire Length: 1100

Signal Wire: Nominal Cross-sectional Area: 0.2mm², Wire Type: UL1061, Wire Length: 1100

* To maintain IP54 for FB model, install the unit with the alarm opening pointing down.
* A mounting bracket for appropriate number of tiers is included.

Specification

Supported Transistor	NPN / PNP
Alarm Sound	2 intermittent sounds. 1 (pipipi), 2 (peee, peee, peee)
Volume Control	Not adjustable

Product List

Model Number	Number of Tiers	Rated Voltage	Function	Alarm	Luminous Color	Power Consumption	Mass
WME-102D-R	1	24V DC	Continuous On	None	Red	0.7W	0.28kg
WME-102D-Y	1	24V DC	Continuous On	None	Amber	0.9W	0.28kg
WME-102D-G	1	24V DC	Continuous On	None	Green	0.5W	0.28kg
WME-102DFB-R	1	24V DC	Continuous On and flashing	Yes	Red	1.9W	0.28kg
WME-102DFB-Y	1	24V DC	Continuous On and flashing	Yes	Amber	2.1W	0.28kg
WME-102DFB-G	1	24V DC	Continuous On and flashing	Yes	Green	1.7W	0.28kg
WME-1M2D-R	1	100 - 240V AC	Continuous On	None	Red	1.1W	0.35kg
WME-1M2D-Y	1	100 - 240V AC	Continuous On	None	Amber	1.2W	0.35kg
WME-1M2D-G	1	100 - 240V AC	Continuous On	None	Green	0.9W	0.35kg
WME-1M2DFB-R	1	100 - 240V AC	Continuous On and flashing	Yes	Red	12.3W	0.35kg
WME-1M2DFB-Y	1	100 - 240V AC	Continuous On and flashing	Yes	Amber	2.4W	0.35kg
WME-1M2DFB-G	1	100 - 240V AC	Continuous On and flashing	Yes	Green	2.1W	0.35kg
WME-202D-RY	2	24V DC	Continuous On	None	Red, Amber	1.6W	0.37kg
WME-202DFB-RY	2	24V DC	Continuous On and flashing	Yes	Red, Amber	2.8W	0.37kg
WME-2M2D-RY	2	100 - 240V AC	Continuous On	None	Red, Amber	2.3W	0.44kg
WME-2M2DFB-RY	2	100 - 240V AC	Continuous On and flashing	Yes	Red, Amber	3.5W	0.44kg
WME-302D-RYG	3	24V DC	Continuous On	None	Red, Amber, Green	2.1W	0.46kg
WME-302DFB-RYG	3	24V DC	Continuous On and flashing	Yes	Red, Amber, Green	3.3W	0.46kg
WME-3M2D-RYG	3	100 - 240V AC	Continuous On	None	Red, Amber, Green	3.2W	0.53kg
WME-3M2DFB-RYG	3	100 - 240V AC	Continuous On and flashing	Yes	Red, Amber, Green	4.4W	0.53kg
WME-402D-RYGB	4	24V DC	Continuous On	None	Red, Amber, Green, Blue	3.0W	0.55kg
WME-402DFB-RYGB	4	24V DC	Continuous On and flashing	Yes	Red, Amber, Green, Blue	4.2W	0.55kg
WME-4M2D-RYGB	4	100 - 240V AC	Continuous On	None	Red, Amber, Green, Blue	4.5W	0.62kg
WME-4M2DFB-RYGB	4	100 - 240V AC	Continuous On and flashing	Yes	Red, Amber, Green, Blue	5.7W	0.62kg
WME-502D-RYGBC	5	24V DC	Continuous On	None	Red, Amber, Green, Blue, White	3.9W	0.64kg
WME-502DFB-RYGBC	5	24V DC	Continuous On and flashing	Yes	Red, Amber, Green, Blue, White	5.1W	0.64kg
WME-5M2D-RYGBC	5	100 - 240V AC	Continuous On	None	Red, Amber, Green, Blue, White	5.8W	0.71kg
WME-5M2DFB-RYGBC	5	100 - 240V AC	Continuous On and flashing	Yes	Red, Amber, Green, Blue, White	7.0W	0.71kg

Optional Parts for Unit Reconfiguration

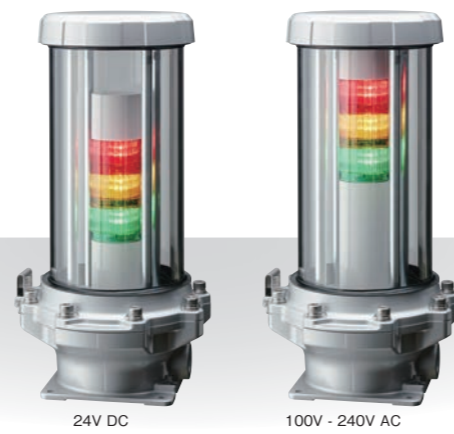
Product Name	Model Number	Product Name	Model Number
Head Cover	B32310087-F1*	Center Shaft for 3-tier	S33552120-04140F1
Red LED Unit	B72100259-1F1*	Center Shaft for 4-tier	S33552120-04180F1
Amber LED Unit	B72100259-2F1*	Center Shaft for 5-tier	S33552120-04220F1
Green LED Unit	B72100259-3F1*	Mounting Bracket for 1-tier	B85130021-5F1
Blue LED Unit	B72100259-4F1*	Mounting Bracket for 2-tier	B85130021-4F1
White LED Unit	B72100259-7F1*	Mounting Bracket for 3-tier	B85130021-3F1
Center Shaft for 1-tier	S33552120-0455F1	Mounting Bracket for 4-tier	B85130021-2F1
Center Shaft for 2-tier	S33552120-04100F1	Mounting Bracket for 5-tier	B85130021-1F1

* Not compatible with WME-A Series-LED units and head cover.

Signal Tower

EDLR

- LED
- Indoor/Outdoor Use
- Ambient Temperature -20°C~+50°C
- Red, Amber, Green
- Continuous On
- 60 Flashes per Minute
- RoHS 10
- IP66



24V DC 100V - 240V AC

Model Number Configuration

EDLR-302F-RYG



- ① Rated Voltage
02 = 24V DC
M2 = 100 - 240 V AC
- ② Luminous Color
RYG = Red, Amber, Green

Specification

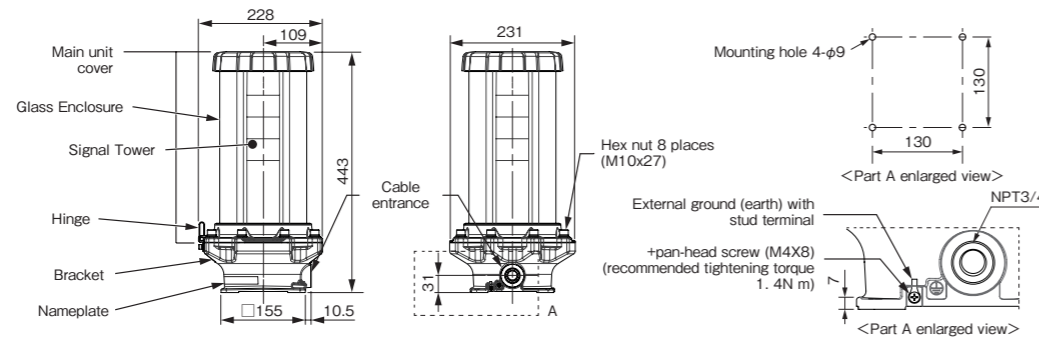
Supported Transistor	02: NPN/PNP; M2: NPN
----------------------	----------------------

Optional Parts

For details refer to P. 93 to P. 98

Product Name	Model Number
Cable Gland	REL-001 (Supports Φ7-12mm cable diameters)

Dimensions (mm)



Product List

Model Number	Number of Tiers	Rated Voltage	Luminous Color	Power Consumption	Mass
EDLR-302F-RYG	3	24V DC	Red, Amber, Green	3.9W	9kg
EDLR-3M2F-RYG	3	100 - 240V AC	Red, Amber, Green	5.4W	9kg

Signal Tower

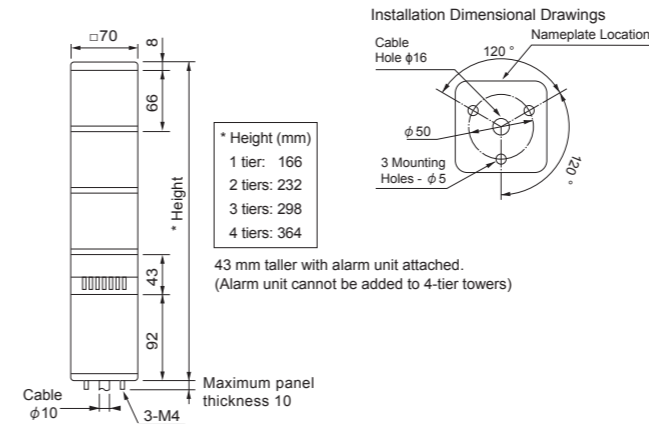
KUS

- 70 mm
- LED
- Indoor Use
- Ambient Temperature -30°C~+60°C
- Red, Amber, Green, Blue, White
- Change Number of Tiers
- Blinking
- 80dB
- 1 Alarm Sounds
- RoHS 10
- IP54

*24V: 70 dB



Dimensions (mm)



Optional Parts

For details refer to P. 93 to P. 98

Product Name	Model Number
Pole Assembly with L-Bracket	SZ-40L
Pole Assembly with Circular Bracket	SZ-40T
Wall Mount Bracket	SZ-007

Specification

Supported Transistor	NPN / PNP
Alarm Sound	1 sound (Pipopipo) [When using the buzzer unit]
Volume Control	Rotating switch

Product List

[KUS Base Unit]

Model Number	Rated Voltage	Function	Power Consumption	Mass
KUS-24	24V AC/DC	Continuous On	21W	0.4kg
KUS-24C	24V AC/DC	Continuous on, open collector	21W	0.4kg
KUS-24F	24V AC/DC	Continuous On and flashing	21W	0.4kg
KUS-24FC	24V AC/DC	Continuous on, flashing, open collector	21W	0.4kg
KUS-100	100V AC	Continuous On	21W	0.8kg
KUS-100C	100V AC	Continuous on, open collector	21W	0.8kg
KUS-100F	100V AC	Continuous On and flashing	21W	0.8kg
KUS-100FC	100V AC	Continuous on, open collector	21W	0.8kg
KUS-220	220V AC	Continuous On	21W	0.8kg
KUS-220C	220V AC	Continuous on, open collector	21W	0.8kg
KUS-220F	220V AC	Continuous On and flashing	21W	0.8kg
KUS-220FC	220V AC	Continuous on, open collector	21W	0.8kg

* When purchasing, specify Display Unit, Buzzer Unit and Base Unit (power supply unit).

[KUS Light Unit]

Model Number	Rated Voltage	Function	Luminous Color	Power Consumption	Mass
KUS-EA-R/Y/G/B/C	24V DC	LED	Red / Amber / Green / Blue / White	R, Y: 1.2W / G, B, C: 0.95W	0.14kg
KUS-S-R/Y/G/B/C	24V DC	Incandescent bulb	Red / Amber / Green / Blue / White	6.00W	0.2kg

Incandescent bulb shape: Glass bulb G14, base BA9S ● Power supplied from Base Unit

[KUS Alarm Unit]

Model Number	Rated Voltage	Function	Power Consumption	Mass
KUS-B	24V DC	Alarm	0.5W	0.2kg

● Light Units can be used with any Base Units. ● Power is supplied from the Base Unit

Signal Beacon

SL New



Φ80 mm Φ100 mm Φ150 mm LED Indoor/Outdoor Use Upright/Sideways/Inverted* Mounting Ambient temperature -20°C~+50°C
Red, Amber, Green, Blue 88dB CE RoHS 10 UL FCC ICES
SL08.86dB
KC EAC PSE IP23 (JN) IP66 (KT) NEMA TYPE 4X,13



● Use the optional rubber gasket to increase the IP rating from IP23 to IP65. (SL08, SL10 only)

Model Number Configuration

SL08-M1KTB-R



① Size 08 = Φ80mm 10 = Φ100mm 15 = Φ150mm*	② Rated Voltage M1 = 12 - 24V DC M2 = 100 - 240V AC	③ Mounting / Wiring / Buzzer JN: 3-point bolt mounting / Cable / None KTN: 2-point hole mounting* ² / Terminal block / None KTB: 2-point hole mounting / Terminal block / Buzzer	④ Color R = Red Y = Amber G = Green B = Blue *1 JN / KTN only *2 For SL15, 3-point hole mounting
---	---	--	--

Specification

Supported Transistors	NPN	Alarm Sound	Single tone	Volume Control	None
-----------------------	-----	-------------	-------------	----------------	------

Product List

Model Number	Size (mm)	Rated Voltage	Wiring and Mounting	Alarm	Luminous Color	Power Consumption	Mass
SL08-M1JN-R/Y/G/B	Φ80	12 - 24V DC	Cable, 3-point bolt mounting	None	Red/ Amber/Green/Blue	2.9W	0.25kg
SL08-M1KTN-R/Y/G/B	Φ80	12 - 24V DC	Push-in terminal block, 2-point hole mounting	None	Red/ Amber/Green/Blue	2.9W	0.23kg
SL08-M1KTB-R/Y/G/B	Φ80	12 - 24V DC	Push-in terminal block, 2-point hole mounting	Yes	Red/ Amber/Green/Blue	3.4W	0.24kg
SL08-M2JN-R/Y/G/B	Φ80	100 - 240V AC	Cable, 3-point bolt mounting	None	Red/ Amber/Green/Blue	3.1W	0.28kg
SL08-M2KTN-R/Y/G/B	Φ80	100 - 240V AC	Push-in terminal block, 2-point hole mounting	None	Red/ Amber/Green/Blue	3.1W	0.26kg
SL08-M2KTB-R/Y/G/B	Φ80	100 - 240V AC	Push-in terminal block, 2-point hole mounting	Yes	Red/ Amber/Green/Blue	3.5W	0.27kg
SL10-M1JN-R/Y/G/B	Φ100	12 - 24V DC	Cable, 3-point bolt mounting	None	Red/ Amber/Green/Blue	2.9W	0.37kg
SL10-M1KTN-R/Y/G/B	Φ100	12 - 24V DC	Push-in terminal block, 2-point hole mounting	None	Red/ Amber/Green/Blue	2.9W	0.36kg
SL10-M1KTB-R/Y/G/B	Φ100	12 - 24V DC	Push-in terminal block, 2-point hole mounting	Yes	Red/ Amber/Green/Blue	3.4W	0.37kg
SL10-M2JN-R/Y/G/B	Φ100	100 - 240V AC	Cable, 3-point bolt mounting	None	Red/ Amber/Green/Blue	3.1W	0.40kg
SL10-M2KTN-R/Y/G/B	Φ100	100 - 240V AC	Push-in terminal block, 2-point hole mounting	None	Red/ Amber/Green/Blue	3.1W	0.38kg
SL10-M2KTB-R/Y/G/B	Φ100	100 - 240V AC	Push-in terminal block, 2-point hole mounting	Yes	Red/ Amber/Green/Blue	3.5W	0.40kg
SL15-M1JN-R/Y/G/B	Φ150	12 - 24V DC	Cable, 3-point bolt mounting	None	Red/ Amber/Green/Blue	4.8W	0.86kg
SL15-M1KTN-R/Y/G/B	Φ150	12 - 24V DC	Push-in terminal block, 3-point hole mounting	None	Red/ Amber/Green/Blue	4.8W	0.86kg
SL15-M2JN-R/Y/G/B	Φ150	100 - 240V AC	Cable, 3-point bolt mounting	None	Red/ Amber/Green/Blue	5.6W	0.89kg
SL15-M2KTN-R/Y/G/B	Φ150	100 - 240V AC	Push-in terminal block, 3-point hole mounting	None	Red/ Amber/Green/Blue	5.6W	0.89kg

Note: This product not for vehicle use. Please select a compatible product such as the RLR or LFH type.

Optional Parts

For details refer to P. 93 to P. 98

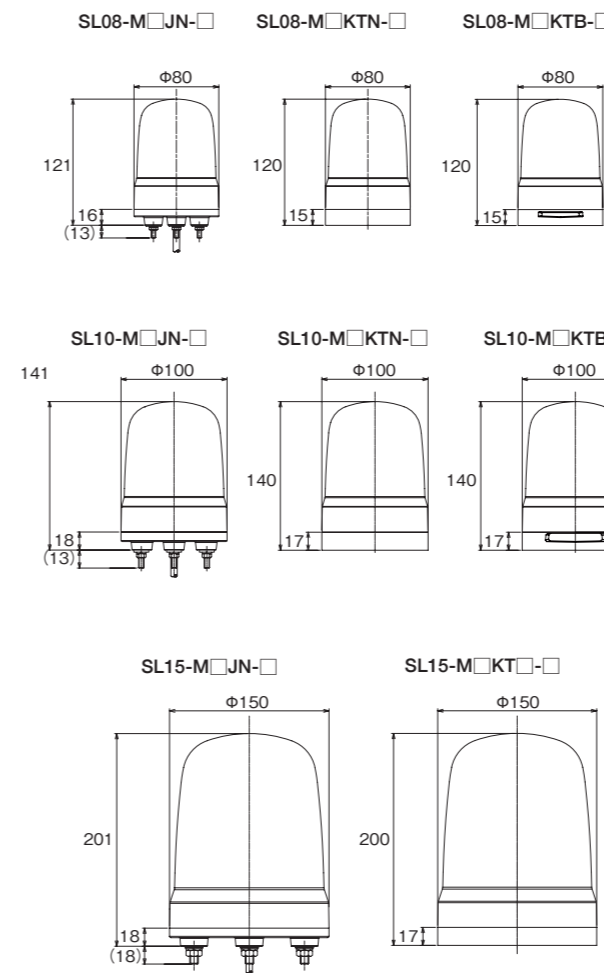
Product Name	Model Number
Wall Mount Waterproof Bracket	SZK-101
Wall Mount Bracket	SZK-102
Wall Mount Bracket	SZK-103
Cover for Wall Mount Bracket	SZK-104
Cover for Wall Mount Bracket	SZK-105
Wall Mount Bracket	SZ-007
Wall Mount Bracket	SZ-008
Wall Mount Bracket	SZ-023

Product Name	Model Number
Ceiling Mounting Bracket	SZW-101
Mounting Rubber Gasket	SZW-102
Mounting Rubber Gasket	SZW-103
Pole Mount Bracket	SZP-101
1/2 in. NPT Bracket	SZP-102
1/2 in. NPT Bracket	SZP-103
1/2 in. NPT Bracket	SZP-104

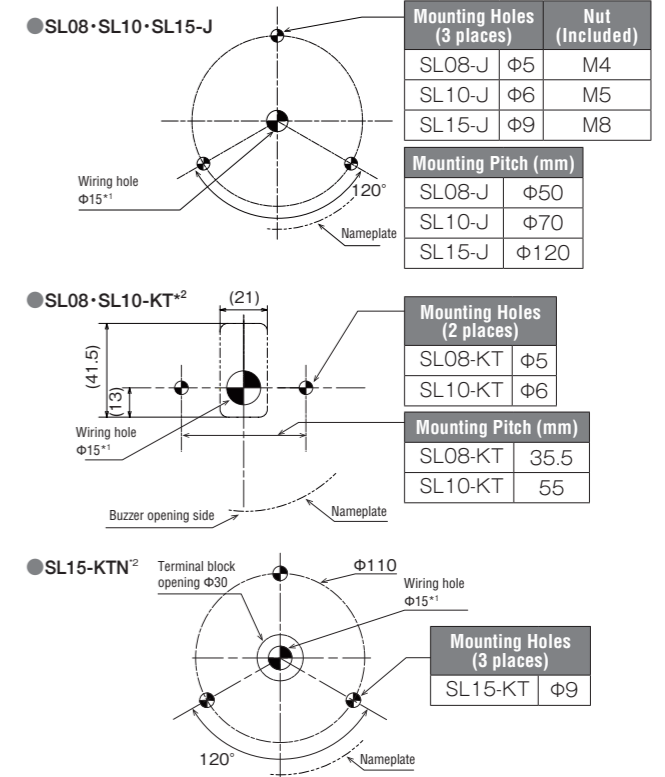
Light Pattern

CH1	CH2	CH1	CH2	CH1	CH2	CH1	CH2
OFF	OFF	ON	OFF	OFF	ON	ON	ON
Lights off		Continuous On		Blinking		Triple Flash	

Dimensions (mm)



Mounting Dimensional Drawing (mm)



Model	Screw / Nut	Recommended Tightening Torque
SL08	M4	0.7 N·m
SL10	M5	1.4 N·m
SL15	M8	6.0 N·m

* 1 Adjust hole size as needed.
* 2 Mounting screws not included.

Rotating Beacon

SK New



- Φ80 mm
- Φ100 mm
- Φ150 mm
- LED
- Indoor/Outdoor Use
- Upright/Sideways/Inverted* Mounting
- Ambient Temperature -10C~+50C
- Red, Amber, Green, Blue
- Motorized Rotation
- 88dB
- CE
- RoHS 10
- UL
- FCC
- ICES
- KC
- EAC
- PSE
- IP23



SKS: Φ80mm SKH: Φ100mm SKP: Φ150mm With buzzer
 ● Use the optional rubber gasket to increase the IP rating from IP23 to IP65. (SKS, SKH only)

Model Number Configuration

SKH-M1JB-R

① ② ③ ④

- | | | | |
|---|--|--|--|
| ① Size
S = Φ80mm
H = Φ100mm
P = Φ150mm | ② Rated Voltage / Wiring
M1J = 12 - 24V DC / cable
M1T = 12 - 24V DC / terminal block*
M2J = 100 - 240V AC / cable
M2T = 100 - 240V AC / terminal block* | ③ Buzzer
None = None
B = Buzzer* | ④ Color
R = Red, Y = Amber
G = Green, B = Blue |
|---|--|--|--|
- * SKH: Φ100mm only

Specification

Supported Transistors	None	Alarm Sound	Single tone	Volume Control	None
-----------------------	------	-------------	-------------	----------------	------

Product List

Model	Size (mm)	Rated Voltage	Wiring	Alarm	Luminous Color	Power Consumption	Mass
SKS-M1J-R/Y/G/B	Φ80	12 - 24V DC	Cable	None	Red/ Amber/Green/Blue	2.9W	0.24kg
SKS-M2J-R/Y/G/B	Φ80	100 - 240V AC	Cable	None	Red/ Amber/Green/Blue	3.0W	0.27kg
SKH-M1J-R/Y/G/B	Φ100	12 - 24V DC	Cable	None	Red/ Amber/Green/Blue	2.9W	0.33kg
SKH-M1JB-R/Y/G/B	Φ100	12 - 24V DC	Cable	Yes	Red/ Amber/Green/Blue	3.6W	0.34kg
SKH-M1T-R/Y/G/B	Φ100	12 - 24V DC	Push-in terminal block	None	Red/ Amber/Green/Blue	2.9W	0.30kg
SKH-M1TB-R/Y/G/B	Φ100	12 - 24V DC	Push-in terminal block	Yes	Red/ Amber/Green/Blue	3.6W	0.31kg
SKH-M2J-R/Y/G/B	Φ100	100 - 240V AC	Cable	None	Red/ Amber/Green/Blue	3.0W	0.36kg
SKH-M2JB-R/Y/G/B	Φ100	100 - 240V AC	Cable	Yes	Red/ Amber/Green/Blue	3.3W	0.37kg
SKH-M2T-R/Y/G/B	Φ100	100 - 240V AC	Push-in terminal block	None	Red/ Amber/Green/Blue	3.0W	0.33kg
SKH-M2TB-R/Y/G/B	Φ100	100 - 240V AC	Push-in terminal block	Yes	Red/ Amber/Green/Blue	3.3W	0.34kg
SKP-M1J-R/Y/G/B	Φ150	12 - 24V DC	Cable	None	Red/ Amber/Green/Blue	2.9W	0.67kg
SKP-M2J-R/Y/G/B	Φ150	100 - 240V AC	Cable	None	Red/ Amber/Green/Blue	3.0W	0.70kg

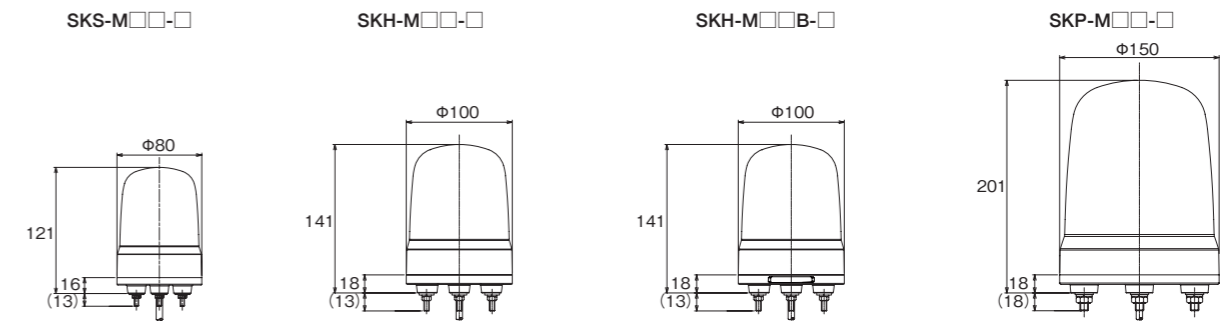
Note: This product not for vehicle use. Please select a compatible product such as the RLR or LFH type.

Optional Parts

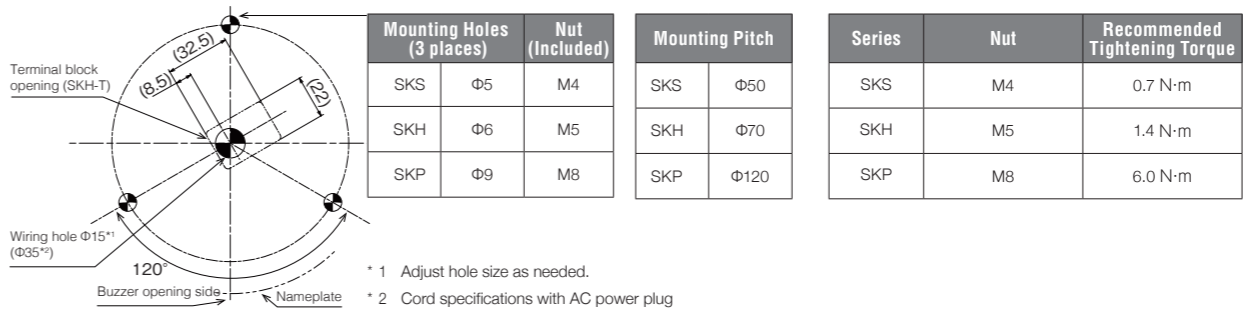
For details refer to P. 93 to P. 98

Product Name	Model Number	Product Name	Model Number
Wall Mount Waterproof Bracket	SZK-101	Ceiling Mount Bracket	SZW-101
Wall Mount Bracket	SZK-102	Mounting Rubber Gasket	SZW-102
Wall Mount Bracket	SZK-103	Mounting Rubber Gasket	SZW-102
Cover for Wall Mount Bracket	SZK-104	Mounting Rubber Gasket	SZW-103
Cover for Wall Mount Bracket	SZK-105	Pole Mount Bracket	SZP-101
Wall Mount Bracket	SZ-007	1/2 in. NPT Bracket	SZP-102
Wall Mount Bracket	SZ-008	1/2 in. NPT Bracket	SZP-103
Wall Mount Bracket	SZ-023	1/2 in. NPT Bracket	SZP-104

Dimensions (mm)



Mounting Dimensional Drawing (mm)



Multi-Function Beacon

SF New

Φ80 mm	Φ100 mm	LED	Indoor/Outdoor Use	Upright/Sideways/Inverted* Mounting	Ambient Temperature -20°C~+50°C	Red, Amber, Green, Blue
Motorless Rotation	Flash	Pulse	88dB	CE	RoHS 10	UL FCC
ICES	EAC	KC	PSE	NEMA TYPE 4X,13	IP23 (JN)	IP66 (KT)

*Indoor only



● The IP rating on the IP23 type can be increased by using the optional rubber gasket.

Model Number Configuration

SF10-M1KTB-R

① ② ③ ④

① Size 08 = Φ80mm 10 = Φ100mm	② Rated Voltage M1 = 12-24V DC M2 = 100-240V AC	③ Mounting / Wiring / Buzzer JN: 3-point bolt mounting / Cable / None KTN: 2-point hole mounting / Terminal block / None KTB: 2-point hole mounting / Terminal block / Buzzer	④ Color R = Red G = Green Y = Amber B = Blue
-------------------------------------	---	--	--

Specification

Supported Transistors	NPN	Alarm Sound	Single tone (peak)	Volume Control	None
-----------------------	-----	-------------	--------------------	----------------	------

Product List

Model Number	Size (mm)	Rated Voltage	Wiring and Mounting	Alarm	Luminous Color	Power Consumption	Mass
SF08-M1JN-R/Y/G/B	Φ80	12 - 24V DC	Cable, 3-point bolt mounting	None	Red / Amber / Green / Blue	7.7W	0.27kg
SF08-M1KTN-R/Y/G/B	Φ80	12 - 24V DC	Push-in terminal block, 2-point hole mounting	None	Red / Amber / Green / Blue	7.7W	0.24kg
SF08-M1KTB-R/Y/G/B	Φ80	12 - 24V DC	Push-in terminal block, 2-point hole mounting	Yes	Red / Amber / Green / Blue	8.2W	0.25kg
SF08-M2JN-R/Y/G/B	Φ80	100 - 240V AC	Cable, 3-point bolt mounting	None	Red / Amber / Green / Blue	8.5W	0.3kg
SF08-M2KTN-R/Y/G/B	Φ80	100 - 240V AC	Push-in terminal block, 2-point hole mounting	None	Red / Amber / Green / Blue	8.5W	0.27kg
SF08-M2KTB-R/Y/G/B	Φ80	100 - 240V AC	Push-in terminal block, 2-point hole mounting	Yes	Red / Amber / Green / Blue	8.8W	0.28kg
SF10-M1JN-R/Y/G/B	Φ100	12 - 24V DC	Cable, 3-point bolt mounting	None	Red / Amber / Green / Blue	7.7W	0.40kg
SF10-M1KTN-R/Y/G/B	Φ100	12 - 24V DC	Push-in terminal block, 2-point hole mounting	None	Red / Amber / Green / Blue	7.7W	0.39kg
SF10-M1KTB-R/Y/G/B	Φ100	12 - 24V DC	Push-in terminal block, 2-point hole mounting	Yes	Red / Amber / Green / Blue	8.2W	0.40kg
SF10-M2JN-R/Y/G/B	Φ100	100 - 240V AC	Cable, 3-point bolt mounting	None	Red / Amber / Green / Blue	8.5W	0.43kg
SF10-M2KTN-R/Y/G/B	Φ100	100 - 240V AC	Push-in terminal block, 2-point hole mounting	None	Red / Amber / Green / Blue	8.5W	0.42kg
SF10-M2KTB-R/Y/G/B	Φ100	100 - 240V AC	Push-in terminal block, 2-point hole mounting	Yes	Red / Amber / Green / Blue	8.8W	0.43kg

Note: This product not for vehicle use. Please select a compatible product such as the RLR or LFH type.

Optional Parts

For details refer to P. 93 to P. 98

Product Name	Model Number
Wall Mount Waterproof Bracket	SZK-101
Wall Mount Bracket	SZK-102
Cover for Wall Mount Bracket	SZK-104
Wall Mount Bracket	SZ-007
Wall Mount Bracket	SZ-008
Wall Mount Bracket	SZ-023

Product Name	Model Number
Ceiling Mount Bracket	SZW-101
Mounting Rubber Gasket	SZW-102
Mounting Rubber Gasket	SZW-103
Pole Mount Bracket	SZP-101
1/2 in. NPT Bracket	SZP-102
1/2 in. NPT Bracket	SZP-103

Wide Light Pattern Selection

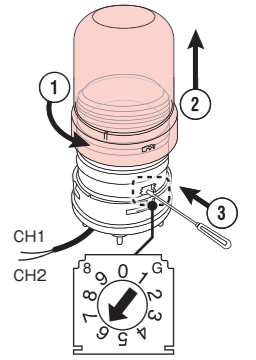
Select from 22 light patterns to indicate various statuses at your work place. The light pattern can easily be configured by adjusting the rotary switch and wiring channels.

Rotary switch	wiring		CH1	CH2	CH1	CH2	CH1	CH2
	OFF	ON	OFF	ON	OFF	ON	ON	ON
0	Off	Rotating (120 rpm)	Triple-flash	Rotating (120 rpm)				
1	Off	Rotating (180 rpm)	Triple-flash	Rotating (180 rpm)				
2	Off	Triple-flash	Pulse pattern	Triple-flash				
3	Off	Rotating (60 rpm)	Rotation (120 rpm)	Rotating (180 rpm)				
4	Off	Single-flash	Double-flash	Triple-flash				
5	Triple-flash	Triple-flash	Triple-flash	Triple-flash				
6	Pulse pattern	Pulse pattern	Pulse pattern	Pulse pattern				
7	Rotating (60 rpm)	Rotating (60 rpm)	Rotating (60 rpm)	Rotating (60 rpm)				
8	Rotating (120 rpm)	Rotating (120 rpm)	Rotating (120 rpm)	Rotating (120 rpm)				
9	Rotating (180 rpm)	Rotating (180 rpm)	Rotating (180 rpm)	Rotating (180 rpm)				

= Dimmed = One side illuminated



Video of light patterns:

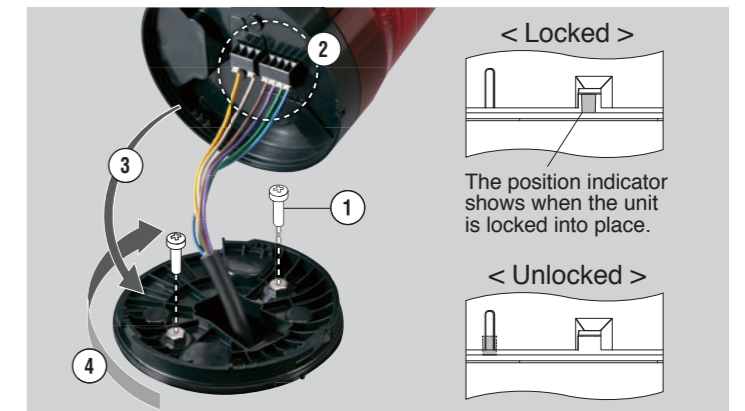


Easy Mounting

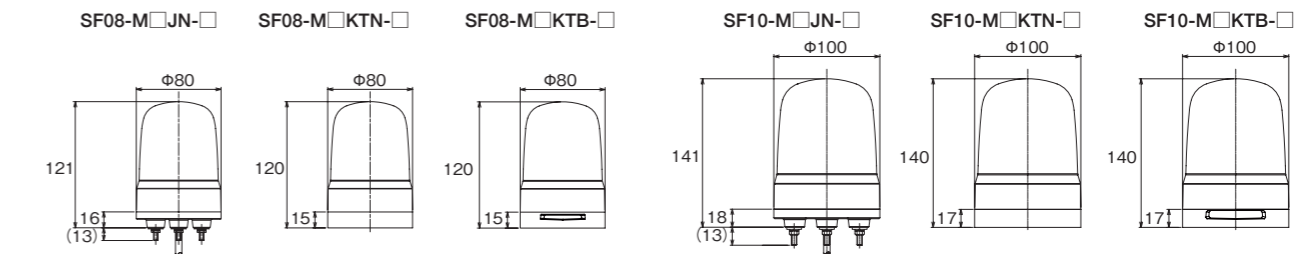
IP66 rating (KT type)

- Screw in the mounting bracket
- Connect wires to the push-in terminal block
- Mount the body onto the mounting bracket
- Lock into place

Mounting video



Dimensions (mm)



Mounting Dimensional Drawing (mm)

● SF08·SF10-J

Model	Mounting Holes (3 places)	Nut (Included)
SF08-J	Φ5	M4
SF10-J	Φ6	M5

Model	Mounting Pitch
SF08-J	Φ50
SF10-J	Φ70

● SF08·SF10-KT*2

Model	Mounting Holes (2 places)
SF08-KT	Φ5
SF10-KT	Φ6

Model	Mounting Pitch
SF08-KT	35.5
SF10-KT	55

Model	Screw / Nut	Recommended Tightening Torque
SF08	M4	0.7 N·m
SF10	M5	1.4 N·m

* 1 Adjust hole size as needed.
* 2 Mounting screws not included.

Signal Beacon

NE-A

New

- Φ56 mm LED Indoor Use Mounting in All Directions Ambient Temperature -30°C~+50°C NE-24A Ambient Temperature -25°C~+60°C NE-M1A Red, Amber, Green, Blue, White, Multi-color: 7 colors
- Continuous On M1AN Blinking M1ATB 88dB 2 Alarm Sounds Touch Sensor CE RoHS 10
- UL FCC ICES KC IP67 (M1ANN) IP65 NEMA TYPE 4X,13



*1. NE-M1A only

Model Number Configuration

NE-24A-R



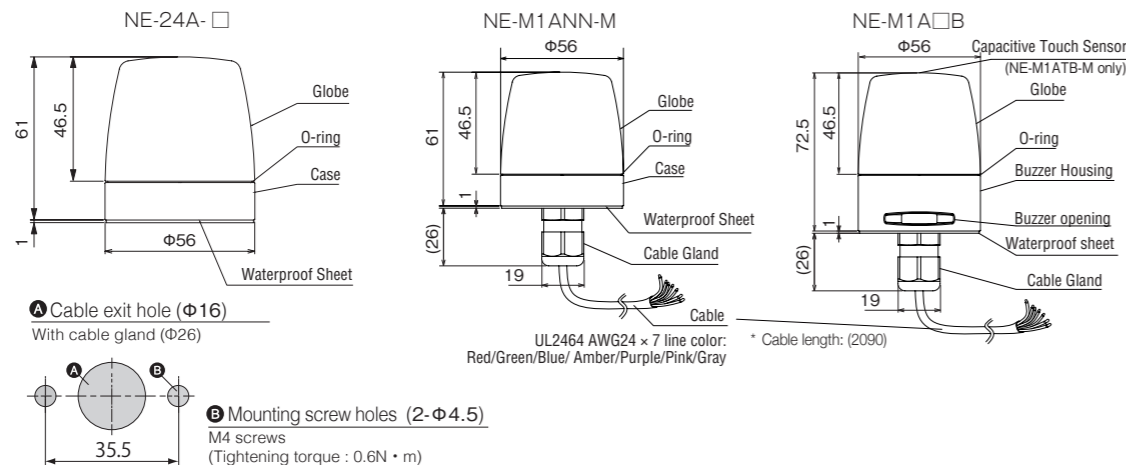
① Rated Voltage
24 = 24V DC
② Color
R = Red B = Blue
Y = Amber C = White
G = Green

NE-M1ATB-M



① Rated Voltage
M1 = 12 - 24V DC
② Touch sensor
T = Touch sensor
N = No touch sensor
③ Buzzer
B = Buzzer
N = No Buzzer
④ Color
M = Multi-color

Dimensions (mm)



Product List

Model Number	Rated Voltage	Touch Sensor	Alarm	Luminous Color	Power Consumption	Mass
NE-24A-R	24V DC	None	None	Red	0.7W	0.06kg
NE-24A-Y	24V DC	None	None	Amber	0.7W	0.06kg
NE-24A-G	24V DC	None	None	Green	0.7W	0.06kg
NE-24A-B	24V DC	None	None	Blue	0.7W	0.06kg
NE-24A-C	24V DC	None	None	White	0.7W	0.06kg
NE-M1ANN-M	12 - 24V DC	None	None	Multi-color (7 colors)	1.2W	0.15kg
NE-M1ANB-M	12 - 24V DC	None	Yes	Multi-color (7 colors)	1.8W	0.17kg
NE-M1ATB-M	12 - 24V DC	Yes	Yes	Multi-color (7 colors)	1.8W	0.17kg

Specification

Supported Transistors	24 : NPN/PNP, M1 : NPN
Alarm Sound	2 sounds (Intermittent, continuous)
Volume Control	None

Optional Parts

For details refer to P. 93 to P. 98

Product Name	Model Number
Pole Bracket	NE-001D
Wall Mount Bracket	NE-002D

Rotating Beacon

RLR

- Φ162 mm LED Indoor/Outdoor Use Upright/Inverted Mounting Ambient Temperature -30°C~+70°C DC specification Ambient Temperature -10°C~+50°C AC specifications
- Red, Amber, Green, Blue Vibration resistance 110m/s² (Excluding M2) Motorized Rotation CE (Excluding M2) RoHS 10 IP66



Model Number Configuration

RLR-04-P-R



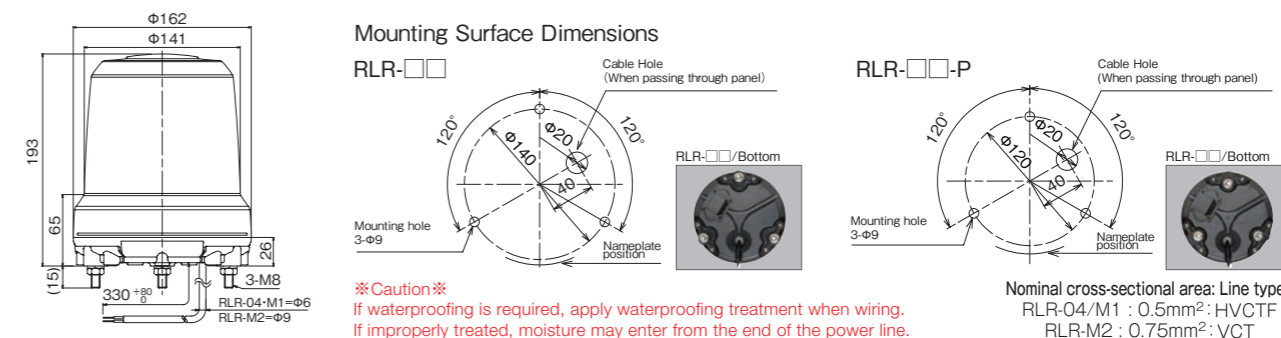
① Rated Voltage
04 = 48V DC
M1 = 12/24V DC
M2 = 100 - 240V AC
② Mounting Pitch
None = Φ140
P = Φ120
③ Luminous Color
R = Red
Y = Amber
G = Green
B = Blue

Optional Parts

For details refer to P. 93 to P. 98

Part Name	Model Number
Wall Mount Bracket with Cover	SZ-023
Wall Mount Bracket	SZ-008

Dimensions (mm)



※Caution※
If waterproofing is required, apply waterproofing treatment when wiring.
If improperly treated, moisture may enter from the end of the power line.

Nominal cross-sectional area: Line type
RLR-04/M1 : 0.5mm²: HVCTF
RLR-M2 : 0.75mm²: VCT

Product List

Model Number	Rated Voltage	Mounting Pitch	Luminous Color	Power Consumption	Mass
RLR-M1-R/Y/G/B	12V / 24V DC	Φ140	Red / Amber / Green / Blue	7.6W	1.0kg
RLR-04-R/Y/G/B	48V DC	Φ140	Red / Amber / Green / Blue	8.2W	1.0kg
RLR-M2-R/Y/G/B	100 - 240V AC	Φ140	Red / Amber / Green / Blue	7.8W	1.06kg
RLR-M1-P-R/Y/G/B	12V / 24V DC	Φ120	Red / Amber / Green / Blue	7.6W	1.0kg
RLR-04-P-R/Y/G/B	48V DC	Φ120	Red / Amber / Green / Blue	8.2W	1.0kg
RLR-M2-P-R/Y/G/B	100 - 240V AC	Φ120	Red / Amber / Green / Blue	7.8W	1.06kg

Signal Beacon

LFH

- Φ100 mm**
- LED**
- Indoor/Outdoor Use**
- Upright/Sideways/Inverted Mounting**
- Ambient Temperature -30°C~+70°C**
DC specification
- Ambient Temperature -20°C~+60°C**
AC specifications
- Red, Amber, Green, Blue, White**
- Vibration resistance 90m/s²**
(Excluding LFH-M2)
- 110 Flashes per Minute**
(LFH)
- 140 Flashes per Minute**
(LFH-S)
- CE**
Excluding LFH-S/LFH-48
- RoHS 10**
- UL**
Excluding LFH-S
- FCC**
Excluding LFH-S
- IP66**



Model Number Configuration

LFH-12S-R

① ② ③

① Rated Voltage
12 = 12V DC
24 = 24V DC
48 = 48V DC
M2 = 100/120/200/230V AC

② Number of Flashes
None = 110 ± 10 fpm
S = 140 ± 14 fpm

③ Color
R = Red B = Blue
Y = Amber C = White
G = Green

Product List

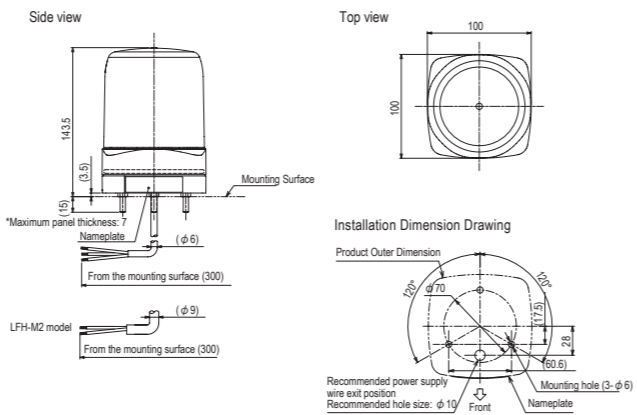
Model Number	Rated Voltage	Number of Flashes (fpm)	Luminous Color	Power Consumption	Mass
LFH-12-R/Y/G/B/C	12V DC	110	Red / Amber / Green / Blue / White	6.0W	0.57kg
LFH-24-R/Y/G/B/C	24V DC	110	Red / Amber / Green / Blue / White	5.5W	0.57kg
LFH-48-R/Y/G/B/C	48V DC	110	Red / Amber / Green / Blue / White	7.5W	0.57kg
LFH-M2-R/Y/G/B/C	100/120/200/230V AC	110	Red / Amber / Green / Blue / White	6.8W	0.61kg
LFH-12S-R/Y/G/B/C	12V DC	140	Red / Amber / Green / Blue / White	6.0W	0.57kg
LFH-24S-R/Y/G/B/C	24V DC	140	Red / Amber / Green / Blue / White	5.5W	0.57kg
LFH-48S-R/Y/G/B/C	48V DC	140	Red / Amber / Green / Blue / White	7.5W	0.57kg

Optional Parts

For details refer to P. 93 to P. 98

Product Name	Model Number
Wall Mount Bracket	SZ-007

Dimensions (mm)



Signal Beacon

REL

- IP65**
- LED**
- Indoor/Outdoor Use**
- Upright/Sideways/Inverted* Mounting**
- Ambient Temperature -20°C~+55°C**
*Indoor only
- Red, Amber**
- 110 Flashes per Minute**
(M2 24V DC)
- 140 Flashes per Minute**
(48V DC)



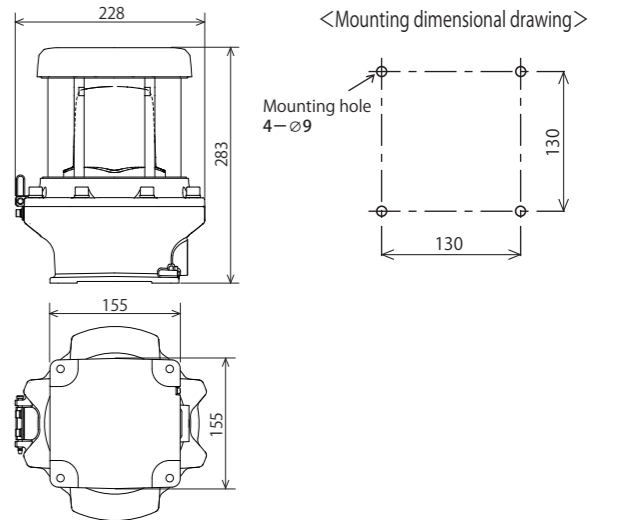
Model Number Configuration

REL-24-R

① ②

① Rated Voltage
24 = 24V DC
48 = 48V DC*
M2 = 100-230V AC (50/60Hz)
*48V DC only available in amber (-Y)

② Luminous Color
R = Red
Y = Amber



Optional Parts

For details refer to P. 93 to P. 98

Product Name	Model Number
Cable Gland	REL-001 (Applicable cable diameter: 7 to 12mm)

Product List

Model Number	Rated Voltage	Luminous Color	Power Consumption	Mass
REL-24-R/Y	24V DC	Red/ Amber	5.5W	7.2kg
REL-48-Y	48V DC	Amber	7.5W	7.2kg
REL-M2-R/Y	100 ~ 230V AC	Red/ Amber	6.8W	7.2kg

Warning Light

LPT New

- LED**
- Indoor/Outdoor Use**
- Mounting in All Directions**
- Ambient Temperature -30°C~+75°C**
- Red, Amber, Green, Blue**
- Vibration resistance 90m/s²**
- 400 Flashes per Minute**
Triple, Extreme warning
- 67 Flashes per Minute**
Blinking Mode
- Connect up to 20 units**
- CE**
- RoHS 10**
- FCC**
- IP68**
- NEMA TYPE 4X,13**



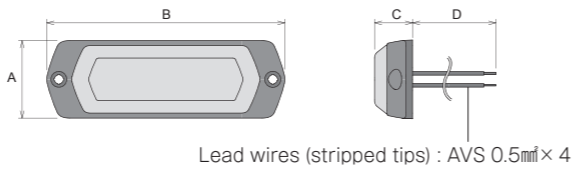
Model Number Configuration

LPT-1M1-R

① ②

① Size 1 = 86.0 × 28.0 (mm) 2 = 114.4 × 43.4 (mm)	② Luminous Color R = Red G = Green Y = Amber B = Blue
---	--

Dimensions (mm)



Model Number	A	B	C	D
LPT-1M1-□	28.0	86.0	13.5	500
LPT-2M1-□	43.4	114.4	13.5	500

Product List

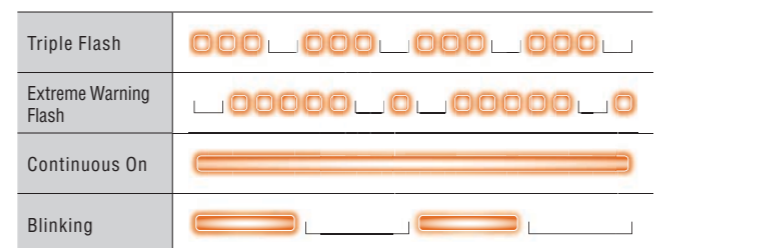
Model Number	Rated Voltage	Luminous Color	Power Consumption	Mass
LPT-1M1-R	12 - 24V DC	Red	3.6W	0.072kg
LPT-1M1-Y	12 - 24V DC	Amber	3.6W	0.072kg
LPT-1M1-G	12 - 24V DC	Green	7.2W	0.072kg
LPT-1M1-B	12 - 24V DC	Blue	6.0W	0.072kg
LPT-2M1-R	12 - 24V DC	Red	13.2W	0.13kg
LPT-2M1-Y	12 - 24V DC	Amber	13.2W	0.13kg
LPT-2M1-G	12 - 24V DC	Green	15.6W	0.13kg
LPT-2M1-B	12 - 24V DC	Blue	14.4W	0.13kg

Feature

- High Reliability
- Visible from great distances
- High vibration resistance, 90m/s²
- IP68 dust-proof, water-proof protection



Various Light Patterns



The following can be changed according to preset settings *

- Flash pattern
- Simultaneous or alternating flash (when multiple units are connected)

* Factory default: Triple-flash, simultaneous flash

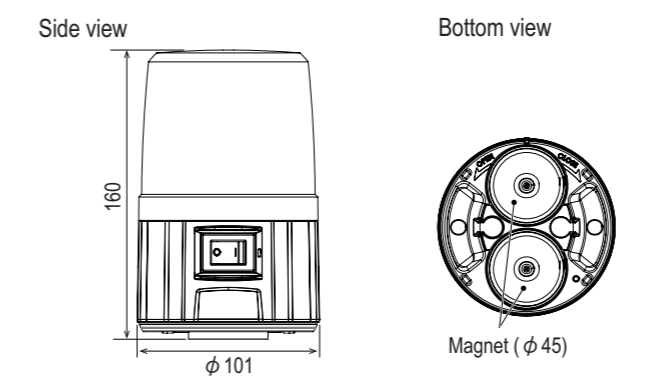
Battery-powered Signal Beacon

PFH

- Φ101**
- LED**
- Indoor/Outdoor Use**
- Upright/Sideways Mounting**
- Ambient Temperature -10°C~+50°C**
- Red, Amber**
- Flash**
- U**
- IP55**
- CE**
- RoHS 10**
- Battery**



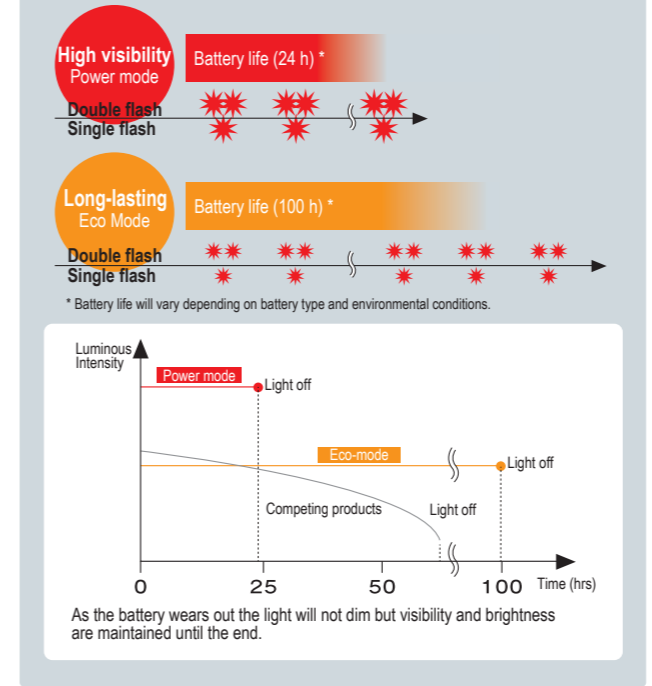
Dimensions (mm)



Product List

Model Number	Power Supply	Luminous Color	Mass
PFH-BT-R/Y	4 AA alkaline or nickel metal hydride batteries	Red/Amber	0.51 kg (without batteries)

Change flash pattern or lighting mode as conditions change such as indoor/outdoor or day/night.



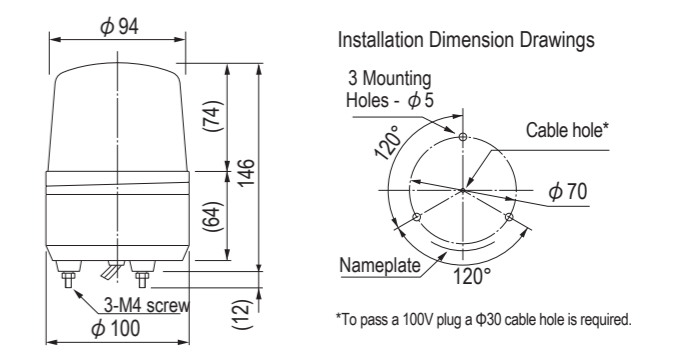
Small Rotating Beacon

SKH-EA

- Φ100 mm**
- Indoor/Outdoor Use**
- Upright/Sideways/Inverted* Mounting**
*Indoor only
- Ambient Temperature -30°C~+80°C**
(DC)
- Ambient Temperature -30°C~+60°C**
(AC)
- Red, Amber, Green, Blue**
- Motorized Rotation**
- CE**
12V / 24V DC Only
- RoHS 10**
12V / 24V DC Only
- IP23**



Dimensions (mm)



Product List

Model Number	Rated Voltage	Bulb No.	Luminous Color	Power Consumption	Mass
SKH-12EA-R/Y/G/B	12V DC	12V 10W	9	Red/ Amber/ Green/Blue	9.6W 0.4kg
SKH-24EA-R/Y/G/B	24V DC	24V 10W	10	Red/ Amber/ Green/Blue	12.0W 0.4kg
SKH-100EA-R/Y/G/B	100V AC	12V 5W	12	Red/ Amber/ Green/Blue	6.2W 0.6kg
SKH-200EA-R/Y/G/B	200V AC	12V 5W	12	Red/ Amber/ Green/Blue	6.5W 0.6kg

Bulb shape: Halogen bulb cap BA15S

Bulb No.	Model Number
9	DO1201003A-F1
10	DO2401003A-F1
12	DO1200503A-F1

* Stock for some light bulbs may be limited as products become discontinued. We ask for your understanding in this regard.

Optional Parts

Product Name	Model Number
Wall Mount Bracket	SZ-007

Rotating Signal Tower

KES/KESB

- 80 mm LED
- Indoor/Outdoor Use
- Upright Mounting
- Ambient Temperature -30°C~+60°C
- Red, Amber, Green
- Motorized Rotation
- 85dB
- 1 Alarm Sounds
- IP23



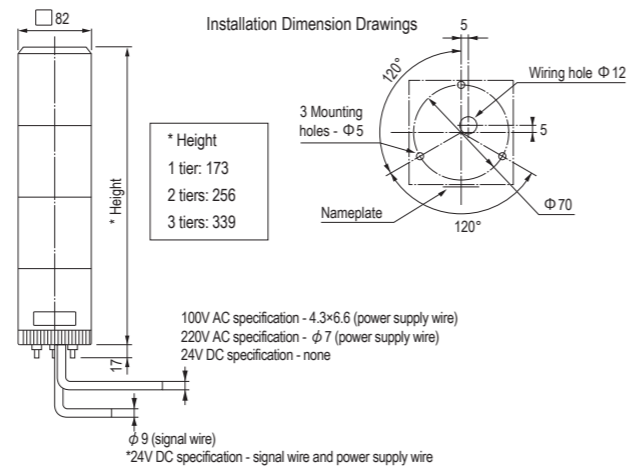
KES Type
KESB Type (with buzzer)

Model Number Configuration

KESB-302-RYG

- ① Buzzer: None = None, B = Buzzer
- ② Number of Tiers: 1 = 1 Tier, 2 = 2 Tiers, 3 = 3 Tiers
- ③ Rated Voltage: 02 = 24V DC, 10 = 100V AC, 20 = 220V AC
- ④ Color: R = Red, Y = Amber, G = Green (Top to bottom)

Dimensions (mm)



Specification

Supported Transistors	NPN
Alarm Tone	Single tone (for KESB only)
Volume Control	Not adjustable

Product List

Model Number	Number of Tiers	Rated Voltage	Luminous Color	Power Consumption (KES)	Power Consumption (KESB)	Mass
KES(B)-102-R/Y/G	1	24V DC	Red / Amber / Green	5.5W	5.5W	0.4kg
KES(B)-110-R/Y/G	1	100V AC	Red / Amber / Green	6.4W	7.3W	0.8kg
KES(B)-120-R/Y/G	1	220V AC	Red / Amber / Green	6.4W	7.3W	0.8kg
KES(B)-202-RY/RG	2	24V DC	Red, Amber / Red, Green	10.5W	11.5W	1.0kg
KES(B)-210-RY/RG	2	100V AC	Red, Amber / Red, Green	10.5W	11.0W	1.4kg
KES(B)-220-RY/RG	2	220V AC	Red, Amber / Red, Green	10.5W	11.0W	1.4kg
KES(B)-302-RYG	3	24V DC	Red, Amber, Green	15.5W	16.5W	1.4kg
KES(B)-310-RYG	3	100V AC	Red, Amber, Green	14.0W	15.0W	1.8kg
KES(B)-320-RYG	3	220V AC	Red, Amber, Green	14.0W	15.0W	1.8kg

Rotating Signal Tower

KJS/KJSB

- 82 mm LED
- Indoor/Outdoor Use
- Upright Mounting
- Ambient Temperature -30°C~+60°C
- Red, Amber, Green, Blue
- Motorized Rotation
- 85dB
- 1 Alarm Sounds
- IP23



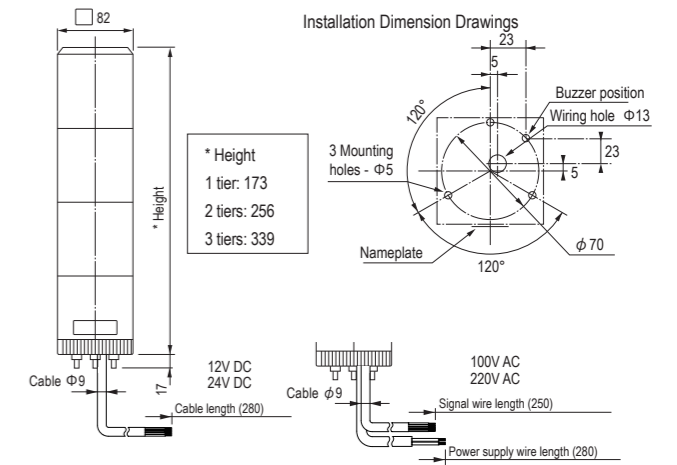
KJS Type
KJSB Type (with buzzer)

Model Number Configuration

KJSB-302-RYG

- ① Buzzer: None = None, B = Buzzer
- ② Number of Tiers: 1 = 1 Tier, 2 = 2 Tiers, 3 = 3 Tiers
- ③ Rated Voltage: 01 = 12V DC, 02 = 24V DC, 10 = 100V AC, 20 = 220V AC
- ④ Color: R = Red, G = Green, Y = Amber, B = Blue (Top to bottom)

Dimensions (mm)



Optional Parts

For details refer to P. 93 to P. 98

Product Name	Model Number
Wall Mount Bracket	SZ-007

Bulb No.	Model Number
10	D02401003A-F1
12	D01200503A-F1

* Stock for some light bulbs may be limited as products become discontinued. We ask for your understanding in this regard.

Specification

Supported Transistors	NPN
Alarm Tone	Single tone (for KJSB only)
Volume Control	Not adjustable

Product List

Model Number	Number of Tiers	Rated Voltage	Bulb No.	Luminous Color	Power Consumption (KJS)	Power Consumption (KJSB)	Mass
KJS(B)-101-R/Y/G/B	1	12V DC	12V 5W	Red / Amber / Green / Blue	5.8W	6.1W	0.7kg
KJS(B)-102-R/Y/G/B	1	24V DC	24V 10W	Red / Amber / Green / Blue	13.3W	14.4W	0.7kg
KJS(B)-110-R/Y/G/B	1	100V AC	12V 5W	Red / Amber / Green / Blue	9.0W	9.5W	0.7kg
KJS(B)-120-R/Y/G/B	1	220V AC	12V 5W	Red / Amber / Green / Blue	9.0W	9.5W	0.7kg
KJS(B)-201-RY/RG	2	12V DC	12V 5W	Red, Amber / Red, Green	11.5W	11.9W	1.2kg
KJS(B)-202-RY/RG	2	24V DC	24V 10W	Red, Amber / Red, Green	26.5W	27.6W	1.2kg
KJS(B)-210-RY/RG	2	100V AC	12V 5W	Red, Amber / Red, Green	17.2W	17.8W	1.2kg
KJS(B)-220-RY/RG	2	220V AC	12V 5W	Red, Amber / Red, Green	17.2W	17.8W	1.2kg
KJS(B)-301-RYG	3	12V DC	12V 5W	Red, Amber, Green	17.3W	17.6W	1.6kg
KJS(B)-302-RYG	3	24V DC	24V 10W	Red, Amber, Green	39.7W	40.9W	1.6kg
KJS(B)-310-RYG	3	100V AC	12V 5W	Red, Amber, Green	25.8W	26.4W	1.6kg
KJS(B)-320-RYG	3	220V AC	12V 5W	Red, Amber, Green	25.8W	26.4W	1.6kg

Bulb shape: Glass bulb G18 base BA15S

KJ/KJB

- 116 mm
- Indoor/Outdoor Use
- Upright Mounting
- Ambient Temperature -30°C~+60°C
- Red, Amber, Green, Blue
- Motorized Rotation
- 85dB
- 1 Alarm Sounds
- IP23



KJ Type
KJB Type (with buzzer)

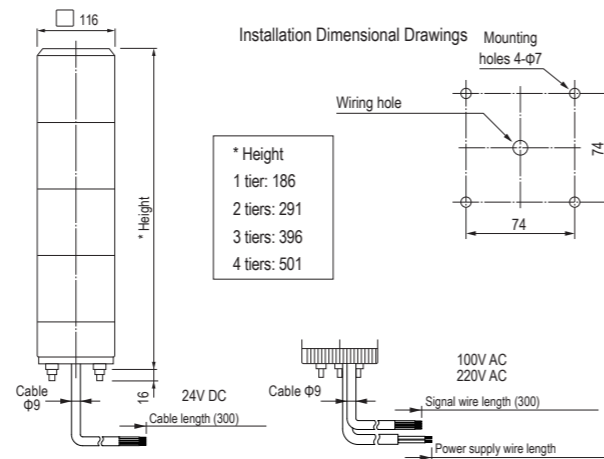
Model Number Configuration

KJB-420-RYGB

- ①
- ②
- ③
- ④

① Buzzer None = None B = Buzzer	② Number of Tiers 1 = 1 Tier 2 = 2 Tiers 3 = 3 Tiers 4 = 4 Tiers	③ Rated Voltage 02 = 24V DC 10 = 100V AC 20 = 220V AC	④ Color R = Red Y = Amber G = Green B = Blue
---------------------------------------	--	--	--

Dimensions (mm)



Optional Parts

For details refer to P. 93 to P. 98

Product Name	Model Number
Wall Mount Bracket	SZ-023
Wall Mount Bracket	SZ-008

Bulb Number	Model Number
10	D02401003A-F1
12	D01200503A-F1

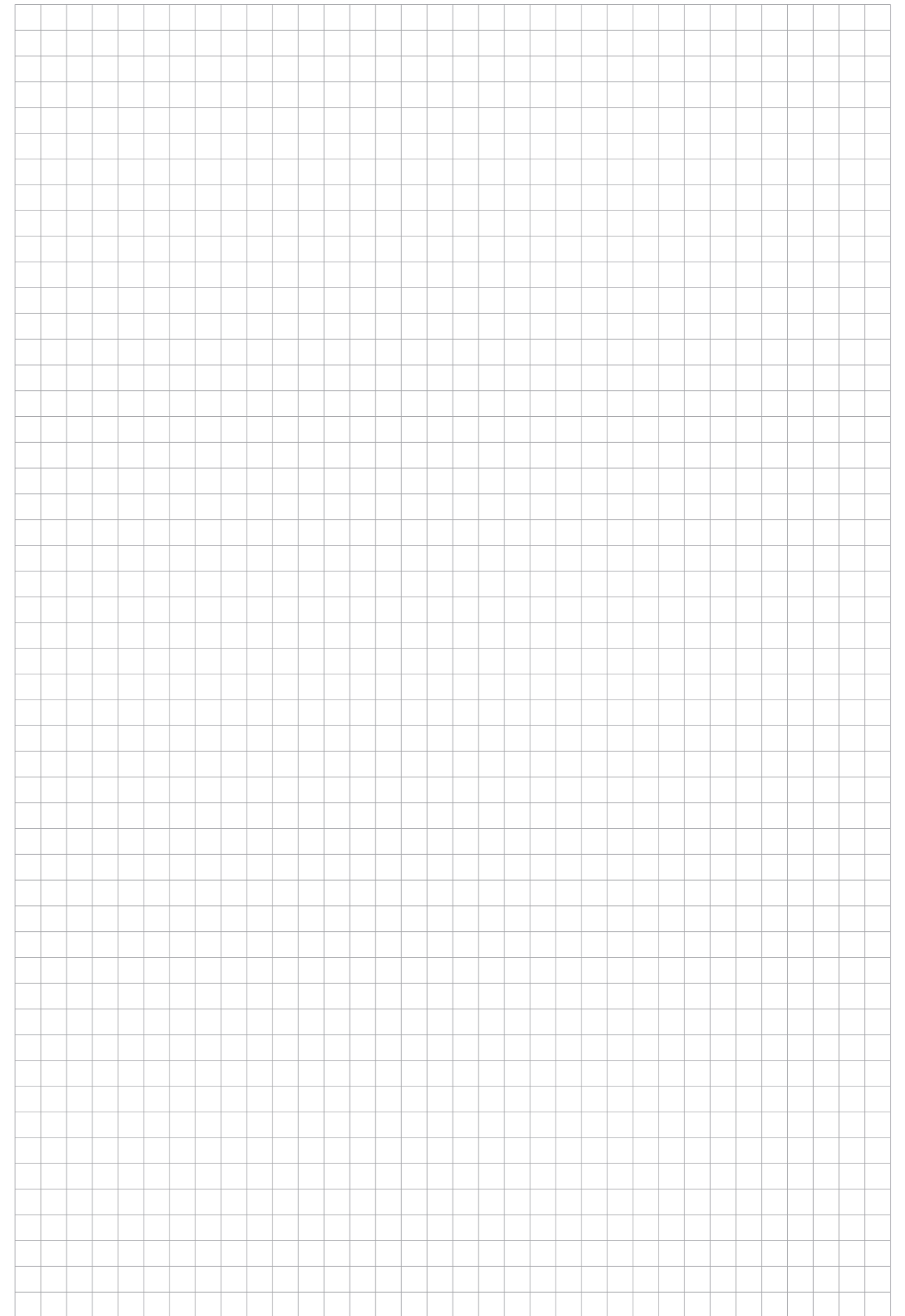
* Stock for some light bulbs may be limited as products become discontinued. We ask for your understanding in this regard.

Specification

Supported Transistors	NPN
Alarm Tone	Single tone (peak) (KJB only)
Volume Control	Adjustable

Product List

Model Number	Number of Tiers	Rated Voltage	Bulb	No.	Luminous Color	Power Consumption (KJ)	Power Consumption (KJB)	Mass
KJ(B)-102-R/Y/G/B	1	24V DC	24V 10W	10	Red/ Amber/Green/Blue	13.3W	13.9W	1.0kg
KJ(B)-110-R/Y/G/B	1	100V AC	12V 5W	12	Red/Amber/Green/Blue	7.5W	7.8W	1.2kg
KJ(B)-120-R/Y/G/B	1	220V AC	12V 5W	12	Red/Amber/Green/Blue	7.5W	7.8W	1.2kg
KJ(B)-202-RY/RG	2	24V DC	24V 10W	10	Red, Amber / Red, Green	26.6W	27.2W	1.5kg
KJ(B)-210-RY/RG	2	100V AC	12V 5W	12	Red, Amber/ Red, Green	12.5W	12.9W	2.0kg
KJ(B)-220-RY/RG	2	220V AC	12V 5W	12	Red, Amber/ Red, Green	12.5W	12.9W	2.0kg
KJ(B)-302-RYG	3	24V DC	24V 10W	10	Red, Amber, Green	40.0W	40.6W	2.0kg
KJ(B)-310-RYG	3	100V AC	12V 5W	12	Red, Amber, Green	17.3W	17.7W	2.5kg
KJ(B)-320-RYG	3	220V AC	12V 5W	12	Red, Amber, Green	17.3W	17.7W	2.5kg
KJ(B)-402-RYGB	4	24V DC	24V 10W	10	Red, Amber, Green, Blue	53.3W	53.9W	2.5kg
KJ(B)-410-RYGB	4	100V AC	12V 5W	12	Red, Amber, Green, Blue	22.1W	22.5W	3.0kg
KJ(B)-420-RYGB	4	220V AC	12V 5W	12	Red, Amber, Green, Blue	22.1W	22.5W	3.0kg



Audible Alarm

BM

- Φ30 mm
- Indoor/Outdoor Use
- Upright/Sideways/Inverted* Mounting
- Ambient Temperature -10°C~+60°C
- 2 Inputs
- 75-90dB
- 2 Alarm Sounds

* Indoor Only

- CE (24V DC)
- RoHS 10
- IP30
- IP34 (D type only)

Wall-mounted (D type)



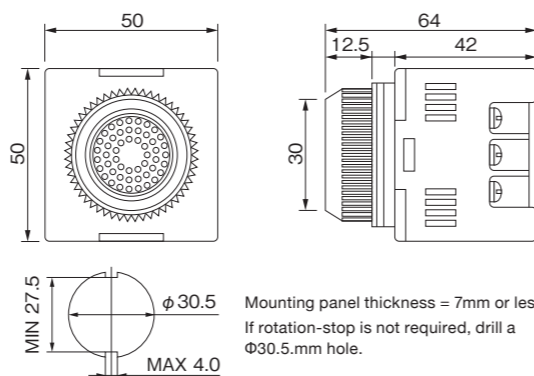
Model Number Configuration

BM-220D

- ①
- ②

- ① Rated Voltage
202 = 24V AC/DC
210 = 100V AC
220 = 220V AC
- ② Specification
None = Standard Type
H = High Volume Type
D = Drip-proof Type

Dimensions (mm)



Product List

Model Number	Rated Voltage	Specifications	Power Consumption	Mass
BM-202	24V AC/DC	Standard	0.4W	0.12kg
BM-210	100V AC	Standard	2.5W	0.12kg
BM-220	220V AC	Standard	3.5W	0.12kg
BM-202H	24V AC/DC	High Volume Type	0.4W	0.13kg
BM-210H	100V AC	High Volume Type	2.5W	0.13kg
BM-220H	220V AC	High Volume Type	3.5W	0.14kg
BM-202D	24V AC/DC	Drip-proof Type	0.4W	0.14kg
BM-210D	100V AC	Drip-proof Type	2.5W	0.15kg
BM-220D	220V AC	Drip-proof Type	3.5W	0.15kg

Sound Specification

Alarm Sound	Rapid Hi-Lo (CH1), Stutter (CH2)
Volume Control	Not adjustable

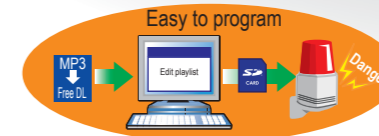
Slim MP3 Voice Annunciator

BSV/BSV-L

- 75 mm
- Indoor/Outdoor Use
- Upright/Sideways/Inverted* Mounting
- Ambient Temperature -10°C~+50°C
- bit/binary 4/15 Inputs
- 87dB
- Playback Length 63 seconds
- Playback Length 520 seconds (BSV-L)

* Indoor Only

- CE
- RoHS 10
- UL
- FCC
- IP54 (Panel Mounting)



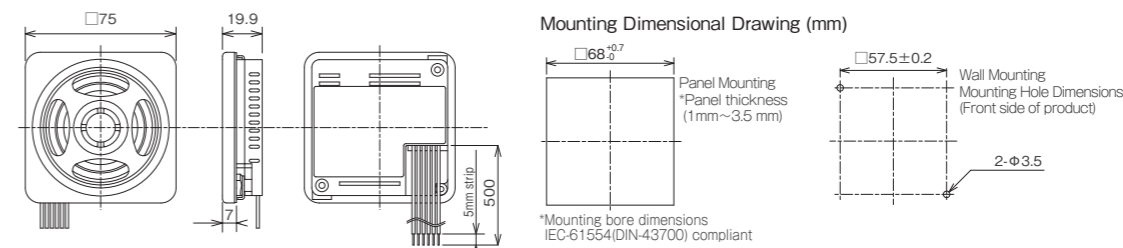
Model Number Configuration

BSV-24NLM-W

- ①
- ②
- ③
- ④

- ① Supported Transistors
N = NPN
P = PNP
- ② Recording Time
L = 520 seconds
None = 63 seconds
- ③ Pre-recorded Message
None = None (15 built-in sounds)
- ④ Cover Color
W = Off White
D = Dark Gray
S = Silver

Dimensions (mm)



Product List

Model Number	Rated Voltage	Supported Transistors	Recording Time	Pre-recorded Message	Cover Color	Power Consumption	Mass
BSV-24N(L)-W/D/S	12 - 24V DC	NPN	63 seconds/520 seconds	None	Off-white, Dark Gray, Silver	3.5W	0.1kg
BSV-24P(L)-W/D/S	12 - 24V DC	PNP	63 seconds/520 seconds	None	Off-white, Dark Gray, Silver	3.5W	0.1kg
BSV-24N(L)M-W/D/S	12 - 24V DC	NPN	63 seconds/520 seconds	Yes	Off-white, Dark Gray, Silver	3.5W	0.1kg
BSV-24P(L)M-W/D/S	12 - 24V DC	PNP	63 seconds/520 seconds	Yes	Off-white, Dark Gray, Silver	3.5W	0.1kg

Sound Specification

Volume Control	Rotating knob
Sound File Format	MP3 (Bit rate: 32 kbps, 64kbps)

Optional Parts

For details refer to P. 93 to P. 98

Product Name	Model Number
SD Card (2GB)	SDV-2GP

Alarm Sound Selection Chart

Maximum 15-message playback (BSV-M type)

15 built-in standard alarm sounds (BSV type)
Contains 15 standard alarm sounds.

No.1	Chime	No.2	Beep	No.3	Stutter	No.4	Bell	No.5	Yelp
No.6	Rapid Hi-Lo	No.7	Melody Chime	No.8	Synthesized Piano	No.9	Synthesized Bell	No.10	Stutter & Bell
No.11	Synthesized Melody	No.12	Call Sign	No.13	Inverted Reveille x3	No.14	Galactic Motor	No.15	Two Tone

Operation Modes

Modes			
A	Bit input and normal playback	C	Bit input and hold playback
E	Binary input and normal playback	G	Binary input and hold playback
B	Playback prioritizing bit input and subsequent input	D	Bit input and memory playback
F	Playback prioritizing binary input and subsequent input	H	Binary input and memory playback

Note:

- 1. Changing or adding messages will delete all standard alarms and MP3 data in the main unit's memory.
- 2. Changing operation modes requires an SD card (SDV-2GP, sold separately).
- 3. Operation is not guaranteed when using other types of SD cards.
- 4. Change input mode to binary in order to access all 15 sounds.

Audible Alarm for Panel Mounting

BD-A

- 80 mm
- Indoor/Outdoor Use
- Upright/Sideways/Inverted Mounting
- Ambient Temperature -20°C~+55°C
- 4 Inputs
- 90dB
- 32 Alarm Sounds
- CE (DC Type)
- RoHS 10
- UL (DC Type)
- FCC
- IP54



-J (Light gray)

-K (Dark gray)

Model Number Configuration

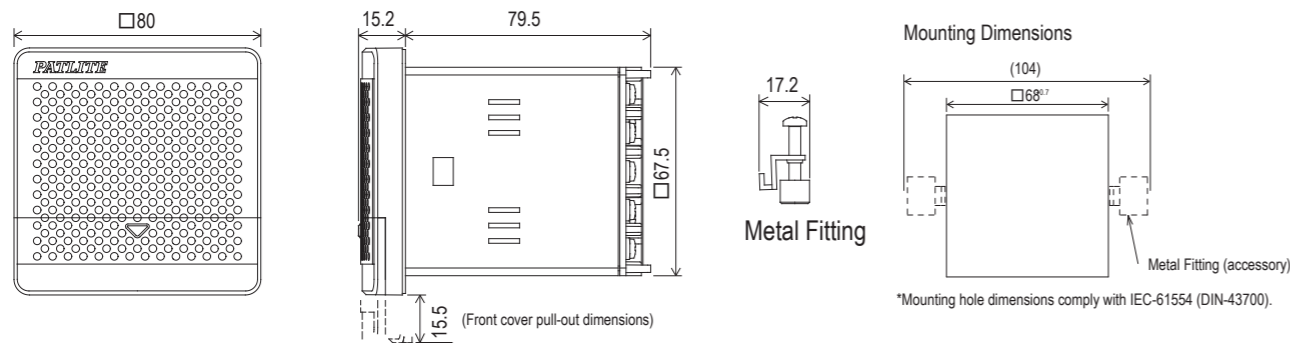
BD-24AA-J

- ①
- ②
- ③

- ① Rated Voltage
24 = 12 - 24V DC
100 = 100/220V AC
- ② Alarm Type*
A = Type A
C = Type C
D = Type D
E = Type E
- ③ Body Color - Front
J = Light Gray
K = Dark Gray

* Please refer to the Sound Selection Chart on page 84 for alarm details.

Dimensions (mm)



Product List

Model Number	Rated Voltage	Alarm Type	Body Color - Front	Power Consumption	Mass
BD-24A □ -J/K	12 - 24V DC	A/C/D/E	Light Gray, Dark Gray	4.0W	0.16kg
BD-100A □ -J/K	100/220V AC	A/C/D/E	Light Gray, Dark Gray	5.0W	0.18kg

Other Specifications

Supported Transistors	NPN
Volume Control	Rotating knob

Optional Parts

For details refer to P. 93 to P. 98

Product Name	Model Number
SD Card (2GB)	SDV-2GP

MP3 Voice Annunciator for Panel Mounting

BDV

- 80 mm
- Indoor/Outdoor Use
- Upright/Sideways/Inverted Mounting
- Ambient Temperature -10°C~+50°C
- bit / binary 4/15 Inputs
- 87dB
- Playback Length 63.5 seconds
- CE (DC Type)
- RoHS 10
- IP54



-K (Dark gray)

-J (Light gray)

Model Number Configuration

BDV-15JF-J

- ①
- ②

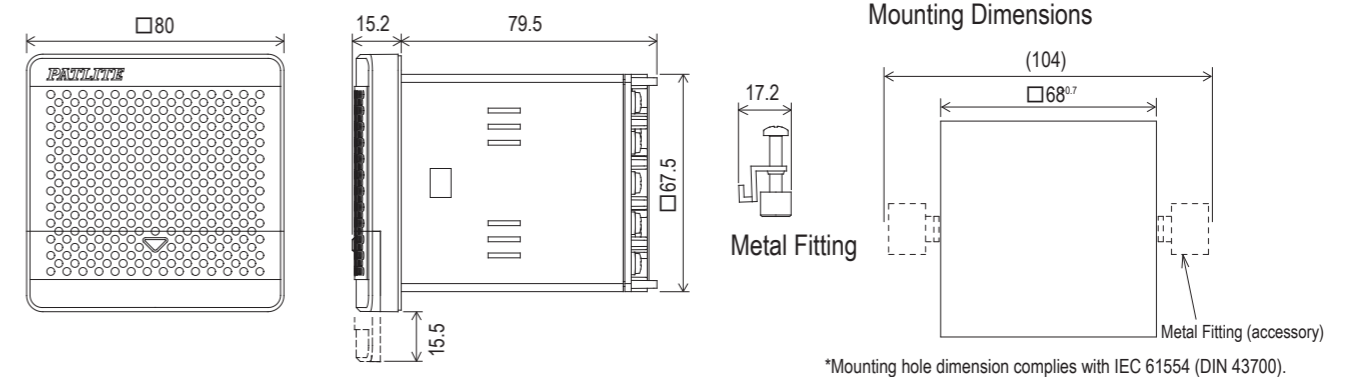
- ① Rated Voltage
J = 12 - 24V DC
K = 100 / 220V AC
- ② Body Color - Front
J = Light Gray
K = Dark Gray

Optional Parts

For details refer to P. 93 to P. 98

Product Name	Model Number
SD Card (2GB)	SDV-2GP

Dimensions (mm)



Product List

Model Number	Rated Voltage	Body Color - Front	Power Consumption	Mass
BDV-15JF-J/K	12 - 24V DC	Light Gray, Dark Gray	4W	0.22kg
BDV-15KF-J/K	100 / 220V AC	Light Gray, Dark Gray	5W	0.34kg

Other Specifications

Supported Transistors	NPN
Sound File Format	MP3 data (Bit rate: 64 kbps/Sample rate: 44.1kHz)

Audible Alarm for Panel Mounting

BK

- 120 mm
- Indoor/Outdoor Use
- Upright/Sideways/Inverted* Mounting
- Ambient Temperature -20°C~+50°C
- bit/binary 8/32 Inputs
- 95dB
- 32 Alarm Sounds
- CE (DC Type)
- RoHS 10
- IP54



-J (Light gray)

-K (Dark gray)

Model Number Configuration

BK-24A-J

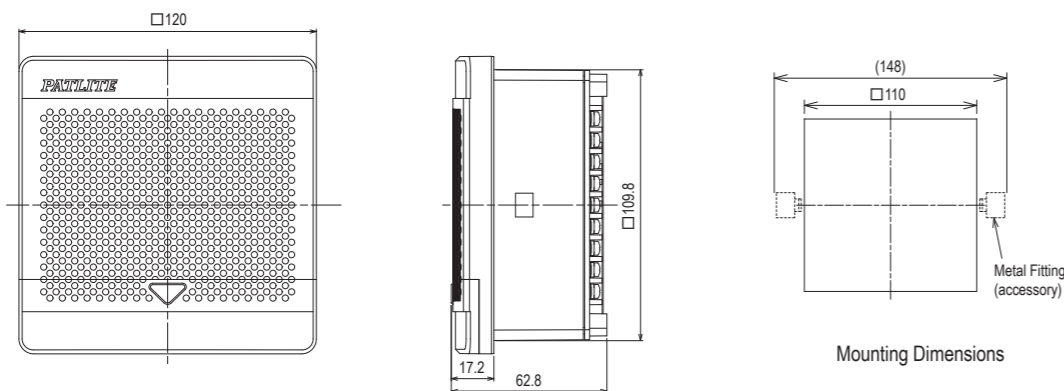
- ①
- ②
- ③

- ① Rated Voltage
24 = 12 - 24V DC
100 = 100V AC
220 = 220V AC
- ② Alarm Type*
A = Type A
C = Type C
D = Type D
E = Type E
- ③ Colors
J = Light Gray
K = Dark Gray

The following custom specifications are available.
● PNP open collector specifications

* Please refer to the Sound Selection Chart on page 84 for alarm details.

Dimensions (mm)



Product List

Model Number	Rated Voltage	Alarm Type	Color	Power Consumption	Mass
BK-24 □ -J/K	12 - 24V DC	A/C/D/E	Light Gray, Dark Gray	12W	0.35kg
BK-100 □ -J/K	100V AC	A/C/D/E	Light Gray, Dark Gray	10W	0.53kg
BK-220 □ -J/K	220V AC	A/C/D/E	Light Gray, Dark Gray	11W	0.53kg

Other Specifications

Supported Transistors	NPN
Volume Control	Rotating knob

Optional Parts

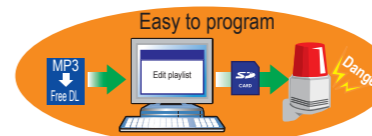
For details refer to P. 93 to P. 98

Product Name	Model Number
Mounting Bracket	BK-001 (2 fixed seals attached)
Mounting Bracket	BK-002-J
Mounting Bracket	BK-002-K
SD Card (2GB)	SDV-2GP

* BK-001 can be used to install the product with □130mm mounting holes from older models.

MP3 Voice Annunciator for Panel Mounting

BKV



- 120 mm
- Indoor/Outdoor Use
- Upright/Sideways/Inverted* Mounting
- Ambient Temperature -10°C~+50°C
- bit/binary 5/31 Inputs
- 95dB
- Playback Length 63 seconds
- CE (DC Type)
- RoHS 10
- IP54



-J (Light gray)

-K (Dark gray)

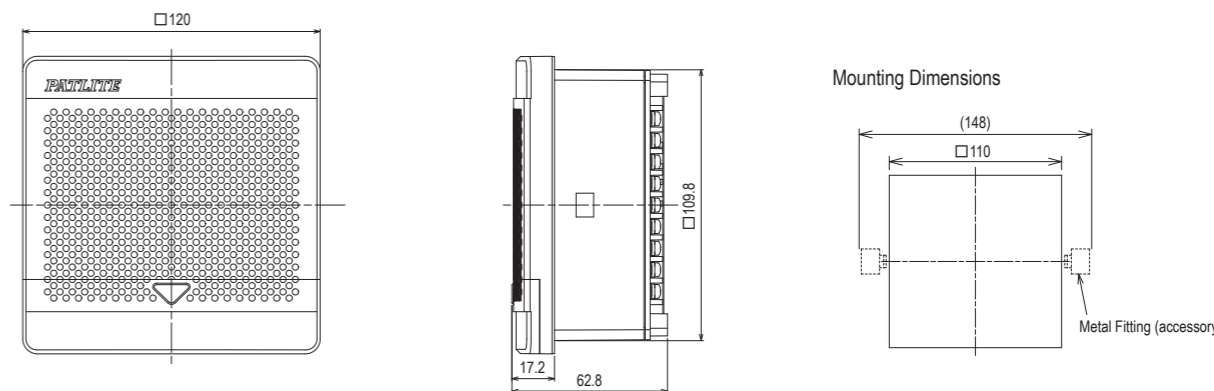
Model Number Configuration

BKV-31JF-J

- ①
- ②

- ① Rated Voltage
J = 12 - 24V DC
K = 100V AC
Q = 220V AC
- ② Colors
J = Light Gray
K = Dark Gray

Dimensions (mm)



Product List

Model Number	Rated Voltage	Color	Power Consumption	Mass
BKV-31JF-J/K	12-24V DC	Light Gray, Dark Gray	9W	0.35kg
BKV-31KF-J/K	100V AC	Light Gray, Dark Gray	10W	0.53kg
BKV-31QF-J/K	220V AC	Light Gray, Dark Gray	10W	0.53kg

Other Specifications

Supported Transistors	NPN
Volume Control	Rotating knob
Sound file	MP3 (Bit rate: 64 kbps/Sample rate: 44.1kHz)

Optional Parts

For details refer to P. 93 to P. 98

Product Name	Model Number
Mounting Bracket	BK-001 (2 fixed seals attached)
Mounting Bracket	BK-002-J
Mounting Bracket	BK-002-K
SD Card (2GB)	SDV-2GP

Audible Alarm Horn

EHS

Indoor/Outdoor Use | Upright/Sideways/Inverted Mounting | Ambient Temperature -20°C~+50°C | bit/binary 8/32 Inputs | 110dB | 32 Alarm Sounds

CE (DC Type) | RoHS 10 | UL | FCC | KC | IP65



MP3 Voice Annunciator Horn

EHV

Indoor/Outdoor Use | Upright/Sideways/Inverted Mounting | Ambient Temperature -20°C~+50°C | bit/binary 8/63 Inputs | 110dB | 63 Alarm Sounds | Playback Length 220 seconds

CE (DC Type) | RoHS 10 | UL (Excluding M3) | FCC (Excluding M3) | KC (Excluding M3) | IP65

Easy to program: MP3 Free DL, Edit playlist, Danger!

*MP3 is 105dB

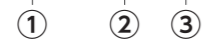


Note: Sound reduction feature can be specified at the time of order or by using Patlite's Playlist Editor 2.

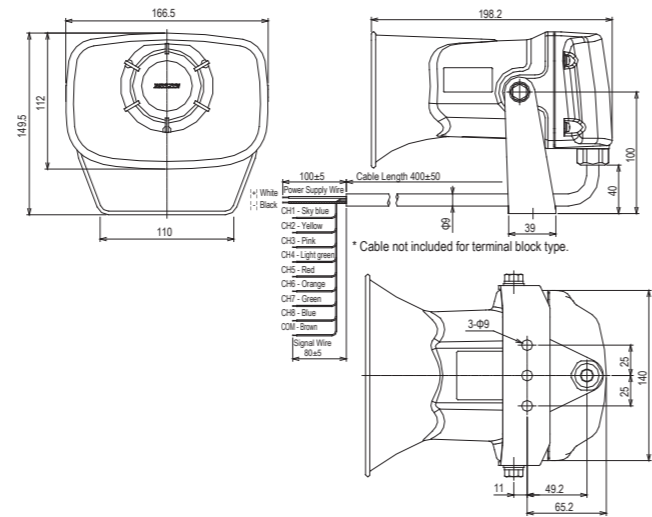
Model Number Configuration

Dimensions (mm)

EHS-M1HA



① Rated Voltage M1 = 12 - 24V DC M2 = 100 - 240V AC M3 = 12 - 48V DC (mountable in vehicle) Note: M3 Specifications · H: Cable type only · Mountable in vehicle	② Wiring Method H = Cable T = Terminal Block	③ Alarm Type* A = Type A C = Type C D = Type D E = Type E
---	--	---



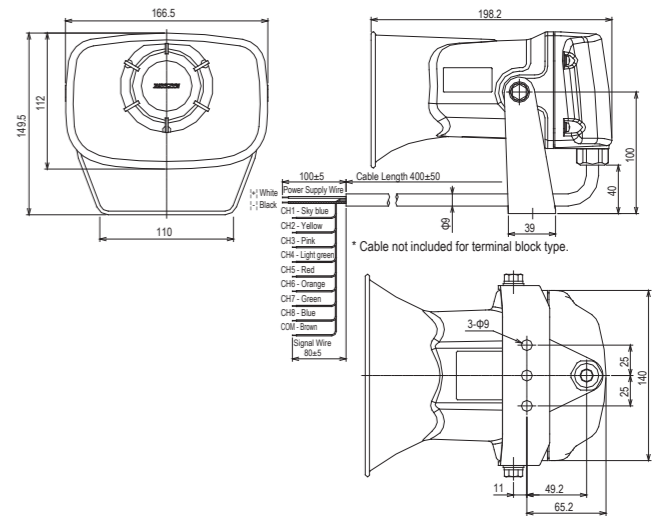
Model Number Configuration

Dimensions (mm)

EHV-M1HF



① Rated Voltage M1 = 12 - 24V DC M2 = 100 - 240V AC M3 = 12 - 48V DC (mountable in vehicle) Note: M3 Specifications · H: Cable type only · Mountable in vehicle	② Wiring Method H = Cable T = Terminal Block	③ Alarm Type* F = Type F G = Type G
---	--	---



Product List

Model Number	Rated Voltage	Wiring Method	Alarm Type	Power Consumption	Mass
EHS-M1H □	12 - 24V DC	Cable	A/C/D/E	7.6W	1.25kg
EHS-M1T □	12 - 24V DC	Terminal Block	A/C/D/E	7.6W	1.25kg
EHS-M2H □	100V - 240V AC	Cable	A/C/D/E	7.3W	1.25kg
EHS-M2T □	100V - 240V AC	Terminal Block	A/C/D/E	7.3W	1.25kg
EHS-M3H □	12 - 48V DC	Cable	A/C/D/E	5.5W	1.25kg

Other Specifications

Supported Transistors	M1:NPN/PNP M2/M3:NPN
Volume Control	Rotating knob

Optional Parts For details refer to P. 93 to P. 98

Product Name	Model Number
SD Card (2GB)	SDV-2GP

Product List

Model Number	Rated Voltage	Wiring Method	Alarm Type	Pre-recorded Message	Power Consumption	Mass
EHV-M1H □	12 - 24V DC	Cable	F/G	None	8.0W	1.25kg
EHV-M1T □	12 - 24V DC	Terminal Block	F/G	None	8.0W	1.25kg
EHV-M2H □	100-240V AC	Cable	F/G	None	7.9W	1.25kg
EHV-M2T □	100-240V AC	Terminal Block	F/G	None	7.9W	1.25kg
EHV-M1H □ M	12 - 24V DC	Cable	F/G	Yes	8.0W	1.25kg
EHV-M1T □ M	12 - 24V DC	Terminal Block	F/G	Yes	8.0W	1.25kg
EHV-M2H □ M	100-240V AC	Cable	F/G	Yes	7.9W	1.25kg
EHV-M2T □ M	100-240V AC	Terminal Block	F/G	Yes	7.9W	1.25kg
EHV-M3H □	12-48V DC	Cable	F/G	None	6.1W	1.25kg
EHV-M3H □ M	12-48V DC	Cable	F/G	Yes	6.1W	1.25kg

Other Specifications

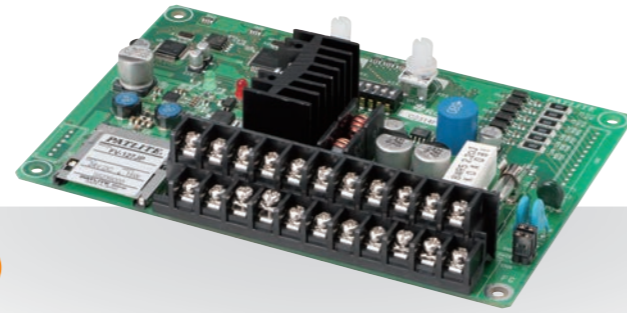
Supported Transistors (NPN / PNP)	M1: NPN/PNP, M2/M3: NPN
Volume Control	Rotating knob or by program (-10 dB, -20 dB, -30 dB)
Sound File Format	MP3 data (Bit rate: 32 kbps, 64 kbps, 128 kbps/Sample rate: 44.1kHz)

Optional Parts For details refer to P. 93 to P. 98

Product Name	Model Number
SD Card (2GB)	SDV-2GP

FV-127JP

Ambient Temperature -10°C~+50°C
bit/binary Inputs 7/127
Playback Length 8 min
Playback Length (with SD card) 240min
RoHS 10
Easy to program (MP3 File DL, Edit playlist, SD card, Danger!)



Model Number Configuration

FV-127JP

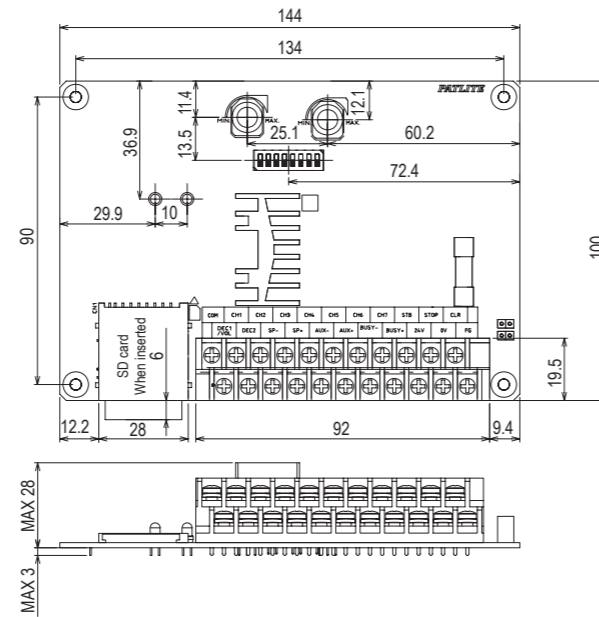
① ② ③

① Maximum Number of Messages
127 = 127 messages

② Rated Voltage
J = 24V DC

③
P = Printed circuit board type

Dimensions (mm)



Product List

Model Number	Rated Voltage	Power Consumption	Mass
FV-127JP	24V DC	15W	0.16kg

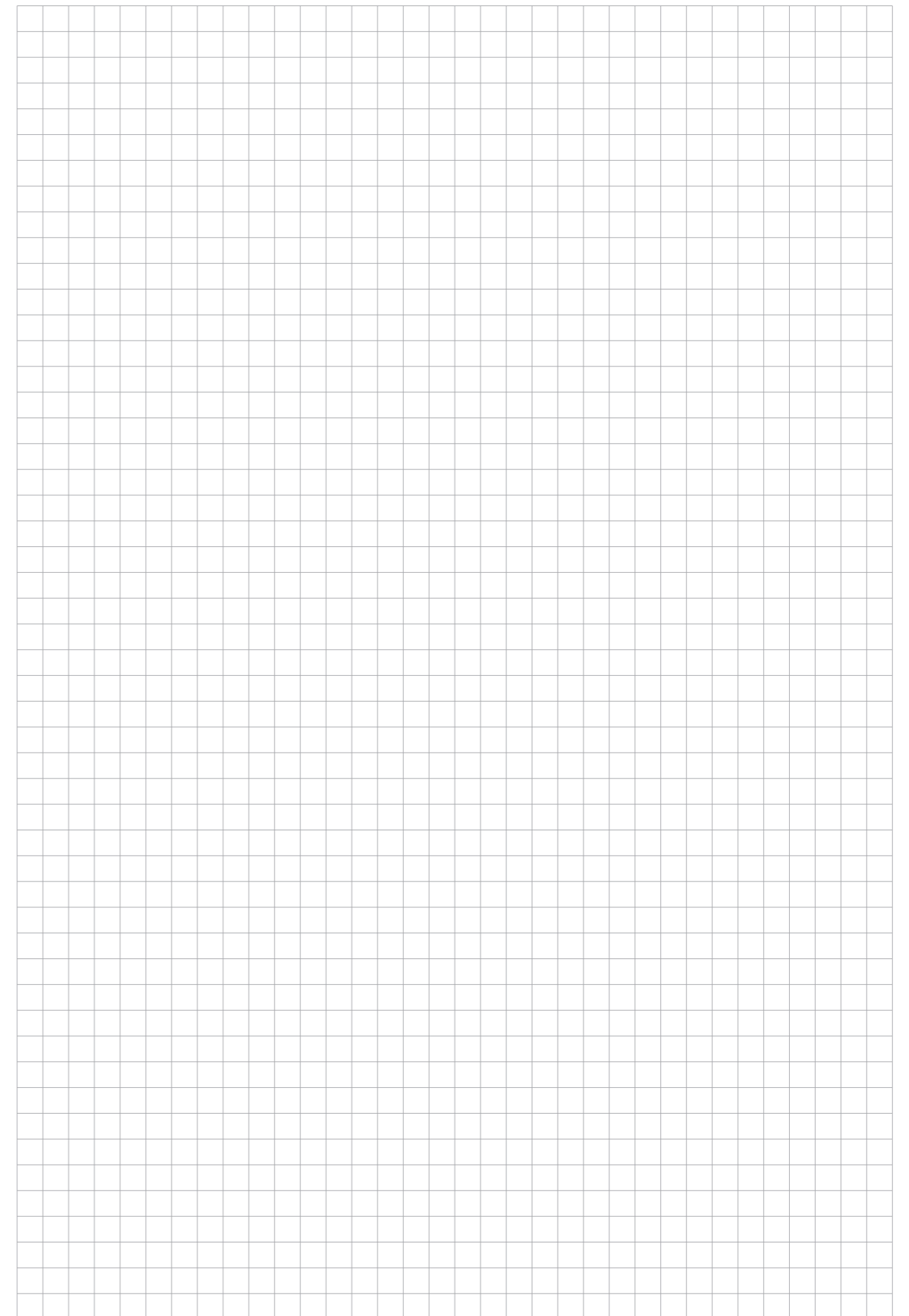
Other Specifications

Supported Transistors	NPN
Volume Control	Rotating knob
Sound File Format	MP3 data (Bit rate: 32 k bps, 64kbps, 128 kbps/Sample rate: 44.1kHz)

Optional Parts

For details refer to P. 93 to P. 98

Product Name	Model Number
Speaker (2W 8Ω)	SPB-2E-W
Speaker (5W 8Ω)	SPB-5E
Speaker (5W 8Ω)	SPW-5E
Speaker (5W 8Ω)	SPL-5E
Horn Speaker (10W, 8Ω)	SPH-10EA
SD Card (2GB)	SDV-2GP



Signal Tower with Horn/Signal Tower with MP3 Voice Annunciator Horn

LKEH-F□/FV

- Φ100 mm LED
- Indoor/Outdoor Use
- Upright Mounting
- Ambient Temperature: -10°C ~ +50°C
- Red, Amber, Green, Blue, White
- Change Number of Tiers
- bit/binary 8/32 Inputs (F□ model)
- bit/binary 5/31 Inputs (FV model)
- 60 Flashes per Minute
- 105dB
- 32 Alarm Sounds
- Playback Length 63 seconds
- CE (DC Type)
- RoHS 10
- UL (UL in part no.)
- IP53



Model Number Configuration

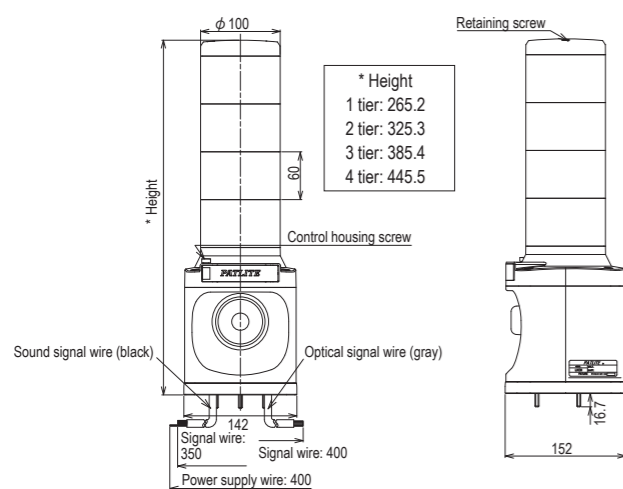
LKEH-402FAUL-RYGB



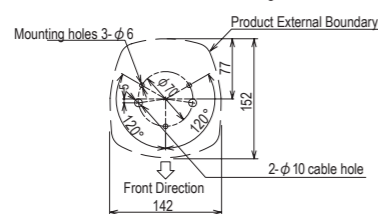
① Number of Tiers 1 = 1 tier 2 = 2 tiers 3 = 3 tiers 4 = 4 tiers	② Rated Voltage 02 = 24V DC 10 = 100V AC 20 = 220V AC	③ Alarm Type* A = Type A C = Type C D = Type D E = Type E V = MP3 Sound File	④ Conformity Standards None = Standard model UL = UL model	⑤ Luminous Color R = Red B = Blue Y = Amber C = White G = Green From top to bottom
--	--	---	--	---

* Please refer to the Sound Selection Chart on page 84 for alarm details.

Dimensions (mm)



Installation Dimension Drawings



Other Specifications

Supported Transistors	NPN (custom order: PNP)
Volume Control	Rotating knob
Sound File Format (FV model only)	MP3 data (bit rate: 64 kbps / sample rate: 44.1 kHz)

Optional Parts

For details refer to P. 93 to P. 98

Product Name	Model Number
Wall Mount Bracket with Cover	SZ-023
Mounting Bracket	SZ-008
SD Card (2GB)	SDV-2GP

Replacement Parts

Product Name	Part Number
Red LED Unit	B72100151-1F1
Amber LED Unit	B72100151-2F1
Green LED Unit	B72100151-3F1
Blue LED Unit	B72100151-4F1
White LED Unit	B72100151-7F1
Retaining Screw for 1 tier	B62910033-1F2
Retaining Screw for 2 tier	B62910033-2F2
Retaining Screw for 3 tier	B62910033-3F2
Retaining Screw for 4 tier	B62910033-4F2

Product List

Model Number	Number of Tiers	Rated Voltage	Alarm Type	UL Certified	Luminous Color	Power Consumption	Mass
LKEH-102F □ -R/Y/G/B/C	1	24V DC	A/C/D/E	-	Red / Amber / Green / Blue / White	10.6W	1.4kg
LKEH-110F □ -R/Y/G/B/C	1	100V AC	A/C/D/E	-	Red / Amber / Green / Blue / White	17W	2.1kg
LKEH-120F □ -R/Y/G/B/C	1	220V AC	A/C/D/E	-	Red / Amber / Green / Blue / White	17W	2.1kg
LKEH-202F □ -RY/RG	2	24V DC	A/C/D/E	-	Red, Amber / Red, Green	12.4W	1.6kg
LKEH-210F □ -RY/RG	2	100V AC	A/C/D/E	-	Red, Amber / Red, Green	20W	2.3kg
LKEH-220F □ -RY/RG	2	220V AC	A/C/D/E	-	Red, Amber / Red, Green	20W	2.3kg
LKEH-302F □ -RYG	3	24V DC	A/C/D/E	-	Red, Amber, Green	14.2W	1.8kg
LKEH-310F □ -RYG	3	100V AC	A/C/D/E	-	Red, Amber, Green	23W	2.5kg
LKEH-320F □ -RYG	3	220V AC	A/C/D/E	-	Red, Amber, Green	23W	2.5kg
LKEH-402F □ -RYGB	4	24V DC	A/C/D/E	-	Red, Amber, Green, Blue	16W	2.0kg
LKEH-410F □ -RYGB	4	100V AC	A/C/D/E	-	Red, Amber, Green, Blue	26W	2.7kg
LKEH-420F □ -RYGB	4	220V AC	A/C/D/E	-	Red, Amber, Green, Blue	26W	2.7kg
LKEH-102F □ UL-R/Y/G/B/C	1	24V DC	A/C/D/E	✓	Red / Amber / Green / Blue / White	10.6W	1.4kg
LKEH-202F □ UL-RY/RG	2	24V DC	A/C/D/E	✓	Red, Amber / Red, Green	12.4W	1.6kg
LKEH-302F □ UL-RYG	3	24V DC	A/C/D/E	✓	Red, Amber, Green	14.2W	1.8kg
LKEH-402F □ UL-RYGB	4	24V DC	A/C/D/E	✓	Red, Amber, Green, Blue	16W	2.0kg
LKEH-102FV-R/Y/G/B/C	1	24V DC	-	-	Red / Amber / Green / Blue / White	10.6W	1.4kg
LKEH-110FV-R/Y/G/B/C	1	100V AC	-	-	Red / Amber / Green / Blue / White	17W	2.1kg
LKEH-120FV-R/Y/G/B/C	1	220V AC	-	-	Red / Amber / Green / Blue / White	17W	2.1kg
LKEH-202FV-RY/RG	2	24V DC	-	-	Red, Amber / Red, Green	12.4W	1.6kg
LKEH-210FV-RY/RG	2	100V AC	-	-	Red, Amber / Red, Green	20W	2.3kg
LKEH-220FV-RY/RG	2	220V AC	-	-	Red, Amber / Red, Green	20W	2.3kg
LKEH-302FV-RYG	3	24V DC	-	-	Red, Amber, Green	14.2W	1.8kg
LKEH-310FV-RYG	3	100V AC	-	-	Red, Amber, Green	23W	2.5kg
LKEH-320FV-RYG	3	220V AC	-	-	Red, Amber, Green	23W	2.5kg
LKEH-402FV-RYGB	4	24V DC	-	-	Red, Amber, Green, Blue	16W	2.0kg
LKEH-410FV-RYGB	4	100V AC	-	-	Red, Amber, Green, Blue	26W	2.7kg
LKEH-420FV-RYGB	4	220V AC	-	-	Red, Amber, Green, Blue	26W	2.7kg
LKEH-102FVUL-R/Y/G/B/C	1	24V DC	-	✓	Red / Amber / Green / Blue / White	10.6W	1.4kg
LKEH-202FVUL-RY/RG	2	24V DC	-	✓	Red, Amber / Red, Green	12.4W	1.6kg
LKEH-302FVUL-RYG	3	24V DC	-	✓	Red, Amber, Green	14.2W	1.8kg
LKEH-402FVUL-RYGB	4	24V DC	-	✓	Red, Amber, Green, Blue	16W	2.0kg

Notes:

- Sounds may not start simultaneously when using multiple units.
- This product is not recommended for vehicle use.

Rotating Beacon with Audible Alarm Horn

RT

- Φ162 mm
- Indoor/Outdoor Use
- Upright Mounting
- Ambient Temperature -20°C~+50°C
- Red, Amber, Green, Blue
- bit/binary 8/32 Inputs
- 115/105/95 Flashes per Minute
- 105dB
- 32 Alarm Sounds
- IP23



Model Number Configuration

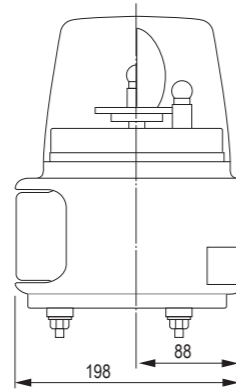
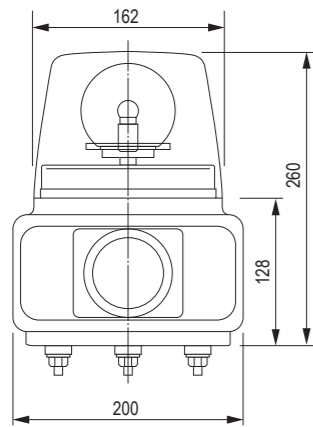
RT-24A-R

① ② ③

- ① Rated Voltage
24 = 24V DC
100 = 100V AC
200 = 200V AC
- ② Alarm Type*
A = Type A
C = Type C
D = Type D
E = Type E
- ③ Colors
R = Red
Y = Amber
G = Green
B = Blue

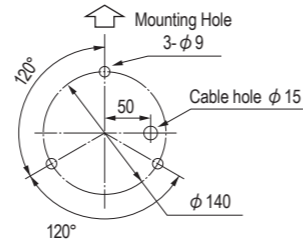
* Please refer to the Sound Selection Chart on page 84 for alarm details.

Dimensions (mm)



Installation Dimension Drawings

Front Direction



Product List

Model Number	Rated Voltage	Bulb No.	Alarm Type	Color	Power Consumption	Mass
RT-24 □ -R/Y/G/B	24V DC	55	A/C/D/E	Red / Amber / Green / Blue	24W	2.0kg
RT-100 □ -R/Y/G/B	100V AC	54	A/C/D/E	Red / Amber / Green / Blue	32W	2.5kg
RT-200 □ -R/Y/G/B	200V AC	54	A/C/D/E	Red / Amber / Green / Blue	30W	2.5kg

Bulb No.	Model Number
54	D01201503-F1
55	D02402003-F1

* Light bulbs come in packs of 10.
* Stock for some light bulbs may be limited as products become discontinued. We ask for your understanding in this regard.

Other Specifications

Supported Transistors	NPN
Volume Control	Rotating knob

Optional Parts

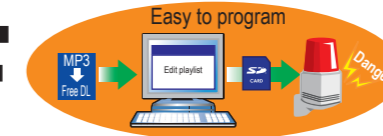
For details refer to P. 93 to P. 98

Product Name	Model Number
Wall Mount Bracket with Cover	SZ-023
Wall Mount Bracket	SZ-008

Rotating Beacon with MP3 Voice Annunciator Horn

RT-VF

- Φ162 mm
- Indoor/Outdoor Use
- Upright Mounting
- Ambient Temperature -10°C~+50°C
- Red, Amber, Green, Blue
- bit/binary 4/15 Inputs
- Motorized Rotation
- 105dB
- Playback Length 63 seconds
- UL (UL in part no.)
- IP23



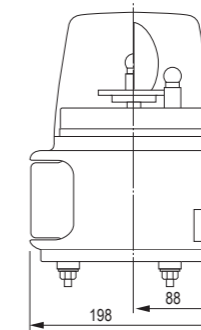
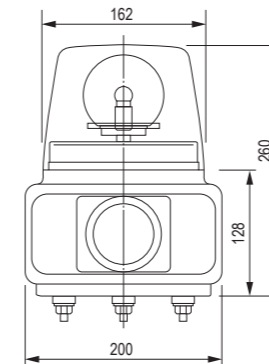
Model Number Configuration

RT-24VFUL-R

① ② ③

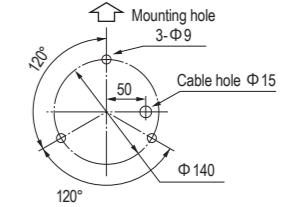
- ① Rated Voltage
24 = 24V DC (RT-VF/RT-VFUL type)
100 = 100V AC (RT-VF type)
200 = 200V AC (RT-VF type)
- ② Sound Specifications
VF = MP3 sound file
VFUL = MP3 sound file (UL certified)
- ③ Luminous Color
R = Red
Y = Amber
G = Green
B = Blue

Dimensions (mm)



Installation Dimension Drawings

Front Direction



Product List

Model Number	Rated Voltage	Bulb No.	UL Certified	Color	Power Consumption	Mass
RT-24VF-R/Y/G/B	24V DC	55	-	Red / Amber / Green / Blue	24W	2.0kg
RT-100VF-R/Y/G/B	100V AC	54	-	Red / Amber / Green / Blue	32W	2.4kg
RT-200VF-R/Y/G/B	200V AC	54	-	Red / Amber / Green / Blue	30W	2.4kg
RT-24VFUL-R/Y/G/B	24V DC	55	✓	Red / Amber / Green / Blue	24W	2.0kg

Other Specifications

Supported Transistors	NPN
Volume Control	Rotating knob
Sound File Format	MP3 data (bit rate: 64 kbps / sample rate: 44.1 kHz)

Optional Parts

For details refer to P. 93 to P. 98

Product Name	Model Number
Wall Mount Bracket with Cover	SZ-023
Wall Mount Bracket	SZ-008
SD Card (2GB)	SDV-2GP

* A separate quotation is required for SD cards with custom messages pre-recorded.

Bulb No.	Model Number
54	D01201503-F1
55	D02402003-F1

* Light bulbs come in packs of 10.
* Stock for some light bulbs may be limited as products become discontinued. We ask for your understanding in this regard.

Rotating Signal Tower

KJT

- 116 mm
 - Indoor/Outdoor Use
 - Upright Mounting
 - Ambient Temperature -20°C~+45°C
 - Red, Amber, Green, Blue
 - Change Number of Tiers
 - bit/binary 8/32 Inputs
 - Motorized Rotation
 - 90dB
 - 32 Alarm Sounds
 - IP23
- * 100V AC is 85dB



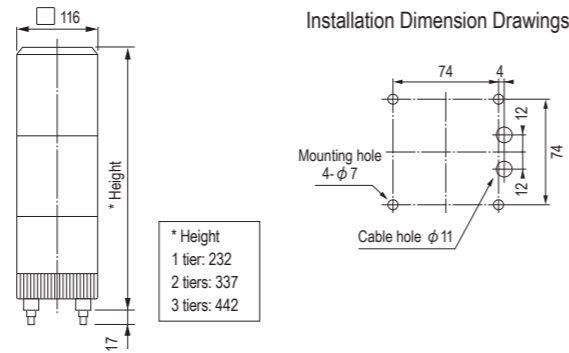
Model Number Configuration

KJT-302A-RYG

① ② ③ ④

- ① Number of Tiers: 1 = 1 tier, 2 = 2 tiers, 3 = 3 tiers
- ② Rated Voltage: 02 = 24V DC, 10 = 100V AC, 20 = 200V AC
- ③ Alarm Type*: A = Type A, C = Type C, D = Type D, E = Type E
- ④ Colors: R = Red, Y = Amber, G = Green, B = Blue, Top to bottom

Dimensions (mm)



* Please refer to the Sound Selection Chart on page 84 for alarm details.

Product List

Model Number	Number of Tiers	Bulb No.	Rated Voltage	Alarm Type	Luminous Color	Power Consumption	Mass
KJT-102□-R/Y/G/B	1	10	24V DC	A/C/D/E	Red / Amber / Green / Blue	21W	1.3kg
KJT-110□-R/Y/G/B	1	12	100V AC	A/C/D/E	Red / Amber / Green / Blue	20W	1.7kg
KJT-120□-R/Y/G/B	1	12	200V AC	A/C/D/E	Red / Amber / Green / Blue	20W	1.7kg
KJT-202□-RY/RG	2	10	24V DC	A/C/D/E	Red, Amber / Red, Green	31W	1.9kg
KJT-210□-RY/RG	2	12	100V AC	A/C/D/E	Red, Amber / Red, Green	26W	2.4kg
KJT-220□-RY/RG	2	12	200V AC	A/C/D/E	Red, Amber / Red, Green	26W	2.4kg
KJT-302□-RYG	3	10	24V DC	A/C/D/E	Red, Amber, Green	41W	2.5kg
KJT-310□-RYG	3	12	100V AC	A/C/D/E	Red, Amber, Green	32W	3.0kg
KJT-320□-RYG	3	12	200V AC	A/C/D/E	Red, Amber, Green	32W	3.0kg

Other Specifications

Supported Transistors	NPN
Volume Control	Rotating knob

Optional Parts

For details refer to P. 93 to P. 98

Product Name	Model Number
Wall Mount Bracket with Cover	SZ-023
Wall Mount Bracket	SZ-008

Bulb No.	Model Number
10	D02401003A-F1
12	D01200503A-F1

* Light bulbs come in packs of 10.
* Stock for some light bulbs may be limited as products become discontinued. We ask for your understanding in this regard.

Rotating Beacon with Audible Alarm

RFT

- Φ100 mm
 - LED
 - Indoor/Outdoor Use
 - Upright/Sideways/Inverted* Mounting
 - Ambient Temperature -10°C~+50°C
 - Red, Amber, Green, Blue
 - bit/binary 8/32 Inputs
 - 115 Flashes per Minute
 - 90dB
 - 32 Alarm Sounds
 - CE (DC Type)
 - RoHS 10
 - IP54
- * Indoor Only



Model Number Configuration

RFT-100A-R

① ② ③

- ① Rated Voltage: 24 = 24V DC, 100 = 100V AC, 220 = 220V AC
- ② Sound Type*: A = Type A, C = Type C, D = Type D, E = Type E
- ③ Colors: R = Red, Y = Amber, G = Green, B = Blue

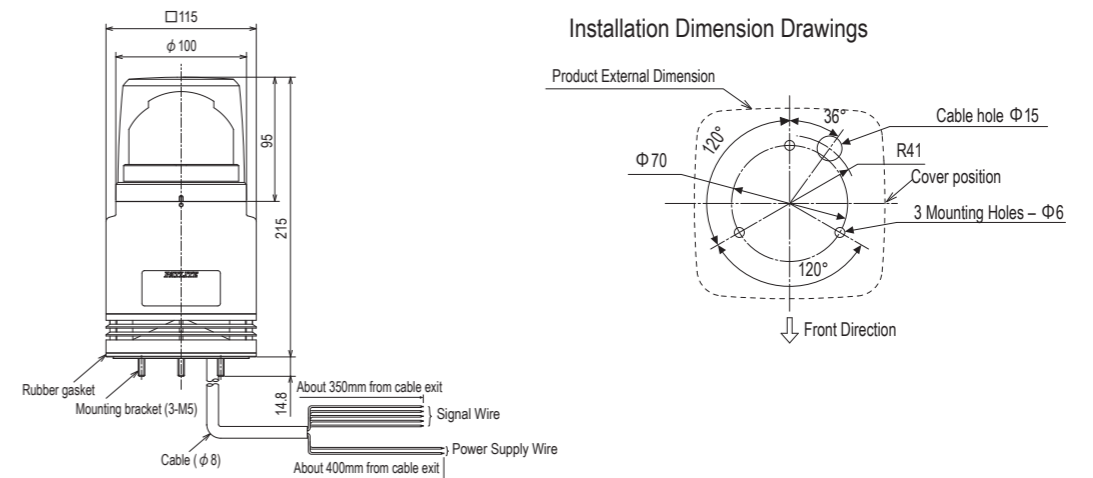
* Please refer to the Sound Selection Chart on page 84 for alarm details.

Optional Parts

For details refer to P. 93 to P. 98

Product Name	Model Number
Wall Mount Bracket	RF-001
Ceiling Mount Bracket	RF-002
SD Card (2GB)	SDV-2GP

Dimensions (mm)



Product List

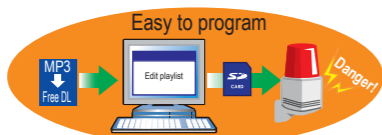
Model Number	Rated Voltage	Alarm Type	Luminous Color	Power Consumption	Mass
RFT-24□-R/Y/G/B	24V DC	A/C/D/E	Red / Amber / Green / Blue	12W	1.0kg
RFT-100□-R/Y/G/B	100V AC	A/C/D/E	Red / Amber / Green / Blue	13W	1.2kg
RFT-220□-R/Y/G/B	220V AC	A/C/D/E	Red / Amber / Green / Blue	13W	1.2kg

Other Specifications

Supported Transistors	NPN
Volume Control	Rotating knob

Rotating Beacon with MP3 Voice Annunciator

RFV



Model Number Configuration

RFV-100F-R

① ②

① Rated Voltage
24 = 24V DC
100 = 100V AC
220 = 220V AC

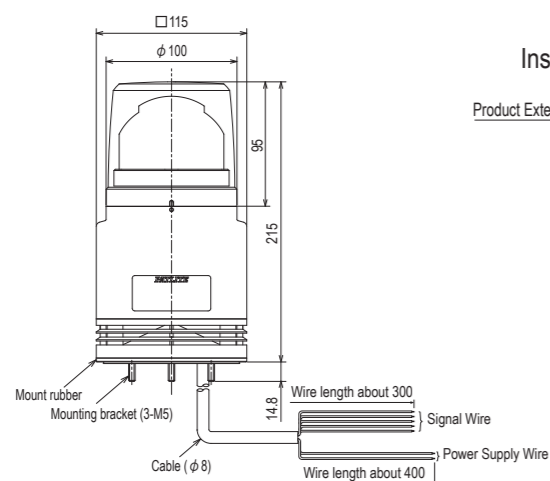
② Color
R = Red
Y = Amber
G = Green
B = Blue

Optional Parts

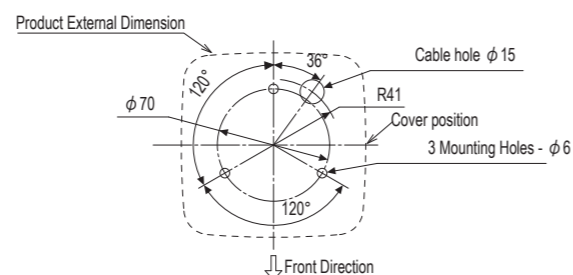
For details refer to P. 93 to P. 98

Product Name	Model Number
Wall Mount Bracket	RF-001
Ceiling Mount Bracket	RF-002
SD Card (2GB)	SDV-2GP

Dimensions (mm)



Installation Dimension Drawings



Product List

Model Number	Rated Voltage	Color	Power Consumption	Mass
RFV-24F-R/Y/G/B	24V DC	Red / Amber / Green / Blue	18W	1.0kg
RFV-100F-R/Y/G/B	100V AC	Red / Amber / Green / Blue	16W	1.2kg
RFV-220F-R/Y/G/B	220V AC	Red / Amber / Green / Blue	16W	1.2kg

Other Specifications

Supported Transistors	NPN
Volume Control	Rotating knob
Sound File Format	MP3 data (bit rate: 64 kbps / sample rate: 44.1 kHz)

Alarm Sound Selection Chart



Type A

Beep	Stutter	Bell	Yelp
Rapid Hi-Lo	Melody Chime	Synthesized Piano	Synthesized Bell
Stutter & Bell	Synthesized Melody	Chime	Call Sign
Fur Elise	A Maiden's Prayer	Minuet in Gmjir	Annie Laurie
London bridge is falling down	Holdiridia	Mary had a little Lamb	Camptown Races
Cuckoo Song	Village Blacksmith	On the Avignon Bridge	Daydream Believer
Amaryllis	Mozart Symphony No.40	Quiet Lakeside	Mountain Musician
Spanish Romance	Katyusha	Grandfather's Clock	Ave Maria

Type C

Beep	Stutter	Bell	Yelp
Rapid Hi-Lo	Melody Chime	Synthesized Piano	Synthesized Bell
Stutter & Bell	Synthesized Melody	Chime	Call Sign
Can't take my eyes off of You	Top of the World	The Entertainer	Amazing Grace
Maiden with the flaxen hair	Aux Champs-Elysees	Canon	La-la Sunshine
Space Battleship Yamato	Oshiete	Makenai de	Theme Song
I Don't Want to Miss a Thing	Yozora no Mukou	Ai wa Katsu	Truth
Guts Daze!!	Odoru Ponpokorin	Ima sugu Kiss Me	Haru yo, Koi

Type D

Beep	Stutter	Bell	Yelp
Rapid Hi-Lo	Melody Chime	Synthesized Piano	Synthesized Bell
Runner	Mamotte Agetai	Chime	Call Sign
While listening to Olivia	September	Douyobi no Koibito	Aki no Kihai
Surf Tengoku, Ski Tengoku	Iro, White Blend	Happy Birthday	Hi Ho
I've been working on the Railroad	The Bear Song	Toys Go Cha-Cha-Cha	Konnako Irukana
Shubert's Lullaby	Rudolph the Red-nosed Reindeer	She Wore a Yellow Ribbon	My Darling Clementine
Yellow Rose of Texas	Yankee Doodle	When the Saints Go Marching In	Londonderry Air

Type E

Beep	Stutter	Bell	Yelp
Rapid Hi-Lo	Melody Chime	Synthesized Piano	Synthesized Bell
Stutter & Bell	Synthesized Melody	Chime	Call Sign
Bee-boh sound	Galloping Hi-Lo	Alien Chatter	Falling Crystals
Inverted Reveille x3	Galactic Motor	Ringing Phone	Two Tone
Alarm Clock	Ringing Hi-Lo	Fur Elise	Minuet in Gmjir
Annie Laurie	London bridge is falling down	Mary had a little Lamb	Camptown Races
Amaryllis	Mozart Symphony No.40	Ave Maria	Grandfather's Clock

Note: Please check our website for details on each alarm sound.

Use of Copyrighted Material

PATLITE Corporation has not applied for permission to use certain copyrighted music or songs recorded for Type-A, Type-C and Type-D melody charts outside of Japan. Therefore, please contact the local copyright association for permission before using the product in case this product is used outside of Japan. Melody chart Type-E is recommended for use outside of Japan as this playlist does not include copyrighted music or songs, and permission is not required.



Type F

Galactic Hovercraft	Game Intermission	Spring Melody	Jalopy Horn
ET Doorbell	RR-crossing	Train Whistle	Train Ride
Starting Notice Chime1	Starting Notice Chime2	Starting Notice Chime3	Ending Notice Chime1
Ending Notice Chime2	RHYTHM AND POLICE	ZANKOKUNA TENSHINO TEEZE	MAJINGAA ZETTO
HATARAKU KURUMA	NINGENTTE IINA	ROBINSON	WORLD FOOTBALL ANTHEM
BANZAI SUKIDE YOKATTA	NAMONAKI UTA	SOUSEINO AKUERION	MAMBO NO 5
The Parade of the Tin Soldiers	Turkey in the Straw	Aka tombo	Funiculi, Funicula
Furusato	Beautiful Dreamer	JOLLY HOLIDAY	Londonderry Aire

The above 31 tones & 32 type A tones are built-in

Type G

Galactic Hovercraft	Game Intermission	Spring Melody	Jalopy Horn
ET Doorbell	RR-crossing	Starting Notice Chime1	Starting Notice Chime2
Ending Notice Chime1	Ending Notice Chime2	The Parade of the Tin Soldiers	If You're Happy and You Know It
Flea Waltz	Turkey in the Straw	The Battle Hymn of the Republic	J'ai perdu le do de ma clarinette
Can-can	Radetzky March	Funiculi, Funicula	Csikos Post
Polka Trablanka	O Vreneli	KAERUNO GASSHOU	El Condor Pasa (If I Could)
Hungarian Dance No.5	William Tell Overture	Pomp and Circumstance	Greensleeves
Nedelka	Moonlight Serenade	WAREWA UMINO KO	-

The above 31 tones & 32 EHS type E tones are built-in

Use of Copyrighted Material

PATLITE Corporation has not applied for permission to use certain copyrighted music or songs recorded for Type-F melody charts outside of Japan. Therefore, please contact the local copyright association for permission before using the product in case this product is used outside of Japan. Melody chart Type-G is recommended for use outside of Japan as this playlist does not include copyrighted music or songs, and permission is not required.

LED Work Light

CWF

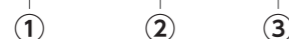
LED Indoor Use Mounting in All Directions Ambient Temperature -25°C~+60°C Ambient Temperature -20°C~+50°C Daylight

CE RoHS 10 UL FCC IP20



Model Number Configuration

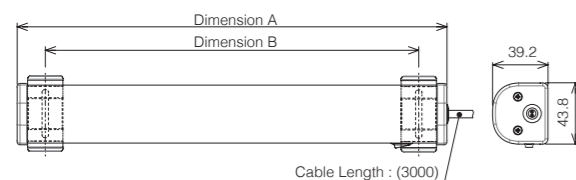
CWF3S-24-CD



- ① Length
3 = 300mm
6 = 600mm
9 = 900mm*1
 - ② Rated Voltage / Standards
24 = 24V DC / UL, CE*2
M2U = 100-240V AC / UL
 - ③ Luminous Color
CD = Daylight
- *1. AC Type only *2. CWF [3S] [6S] type only

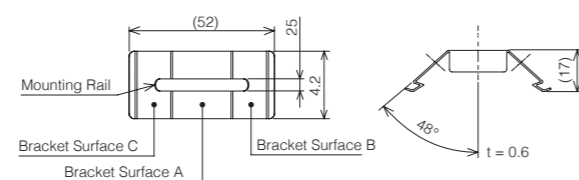
Dimensions (mm)

LED Work Light



Model Number	Dimension A	Dimension B
CWF3S-□-CD	300	260
CWF6S-□-CD	600	560
CWF9S-□-CD	900	860

CWF Standard Mounting Bracket (2 pcs)



Optional Parts

For details refer to P. 93 to P. 98

Product Name	Model Number
Swivel Bracket	CWF-001
Magnetic Mounting Bracket	CWF-002

Specification

Description	Voltage Type	Length		
		300mm	600mm	900mm
Illuminance (@1m, center, typical)	DC	165lx	320lx	-
	AC	150lx	320lx	445lx

Product List

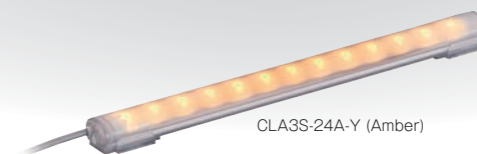
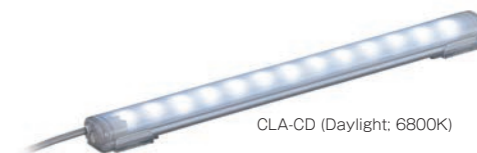
Model Number	Rated Voltage	Luminous Color	Power Consumption	Mass
CWF3S-24-CD	24V DC	Daylight	5W	0.42kg
CWF6S-24-CD	24V DC	Daylight	10W	0.57kg
CWF3S-M2U-CD	100-240V AC	Daylight	5W	0.53kg
CWF6S-M2U-CD	100-240V AC	Daylight	10W	0.68kg
CWF9S-M2U-CD	100-240V AC	Daylight	15W	0.84kg

LED Work Light

CLA-A

LED Indoor Use Mounting in All Directions Daylight Amber Ambient Temperature -40°C~+60°C

CE RoHS 10 UL IP66 IP67 IP69K



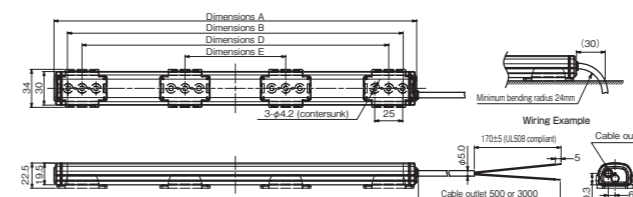
Model Number Configuration

CLA1S-24A-CD-30



- ① Length
1 = 100 mm
2 = 200 mm
3 = 300 mm
6 = 600 mm
9 = 900 mm
12 = 1200 mm
- ② Luminous Color
CD = Daylight
Y = Amber
* -Y: 300mm only
- ③ Cable Length
None = 0.5m
30 = 3.0m

Dimensions (mm)



Model	Dimension A	Dimension B	Dimension D	Dimension E	Number of Brackets Included (SZ-310AR)
	Full Length	Length of Illuminated Area	Recommended Mounting Pitch		
CLA1S-	124	100	74	-	2
CLA2S-	224	200	174	-	2
CLA3S-	324	300	274	-	2
CLA6S-	624	600	574	-	2
CLA9S-	924	900	874	290	4
CLA12S-	1224	1200	1174	390	4

Optional Parts

For details refer to P. 93 to P. 98

Product Name	Model Number
Rear Screw Mount Bracket (M4 screws not included)	SZ-310AR
Rear Magnetic Mount Bracket (2 included)	SZ-310ARM
Side Screw Mount Bracket (M4 screws not included)	SZ-310AS
Side Screw Mount Bracket (M4 screws not included)	SZ-310ASB (Compatible with CLB-24N series)
Steel Rear Screw Mount Bracket (Screws not included)	SZ-310EU

Note: Take care to prevent the magnet (SZ-310ARM) from falling. Use screw-on type brackets for permanent installations.

Specification

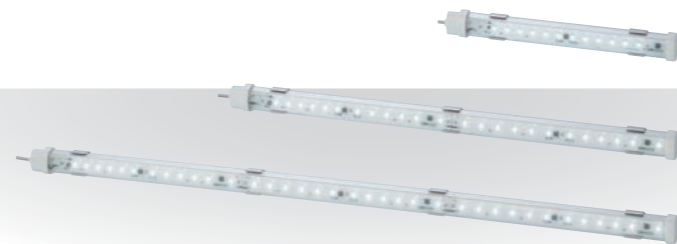
Description	Distance	Length of Illuminated Area						
		100mm	200mm	300mm (CD)	300mm (Y)	600mm	900mm	1200mm
Illuminance (Center, typical)	At 0.3m	-	-	-	-	1,425lx	1,575lx	1,600lx
	At 0.5m	140lx	270lx	400lx	220lx	650lx	810lx	890lx
	At 1.0m	35lx	70lx	105lx	60lx	200lx	280lx	340lx

Product List

Model Number	Length of Illuminated Area	Luminous Color	Rated Voltage	Cable Length	Power Consumption	Mass (0.5m Cable)	Mass (3.0m Cable)
CLA1S-24A-CD(-30)	100mm	Daylight	24V DC	0.5m / 3.0m	2.5W	0.08kg	0.165kg
CLA2S-24A-CD(-30)	200mm	Daylight	24V DC	0.5m / 3.0m	5W	0.13kg	0.215kg
CLA3S-24A-CD(-30)	300mm	Daylight	24V DC	0.5m / 3.0m	5.7W	0.18kg	0.265kg
CLA3S-24A-Y	300mm	Amber	24V DC	0.5m	5.7W	0.18kg	-
CLA6S-24A-CD(-30)	600mm	Daylight	24V DC	0.5m / 3.0m	11.6W	0.34kg	0.425kg
CLA9S-24A-CD(-30)	900mm	Daylight	24V DC	0.5m / 3.0m	17.3W	0.5kg	0.585kg
CLA12S-24A-CD(-30)	1200mm	Daylight	24V DC	0.5m / 3.0m	23W	0.66kg	0.745kg

LED Work Light

CWA



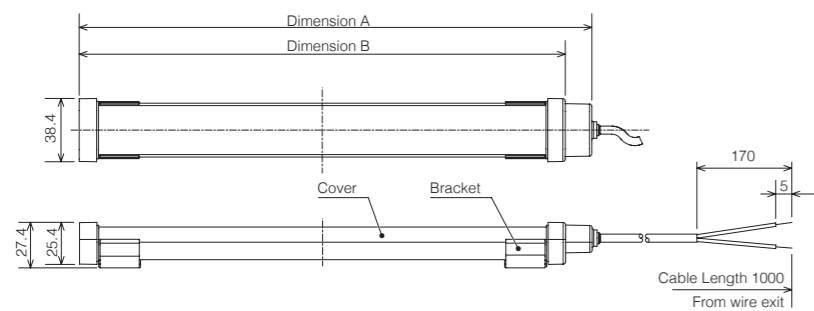
Model Number Configuration

CWA3S-24-CD



- ① Length
3 = 300mm
6 = 600mm
9 = 900mm
- ② Connector
S = Side-exiting Cable
- ③ Rated Voltage
24 = 24V DC
- ④ Luminous Color
CD = Daylight

Dimensions (mm)



Model Number	Dimension A	Dimension B
CWA3S-24-CD	315.5mm	300mm
CWA6S-24-CD	621.0mm	600mm
CWA9S-24-CD	916.5mm	900mm

Mounting Brackets



Holding Brackets



Specification

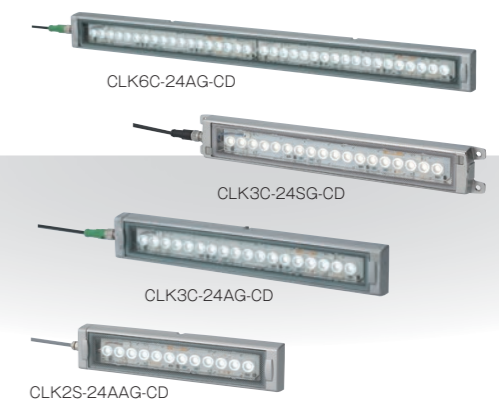
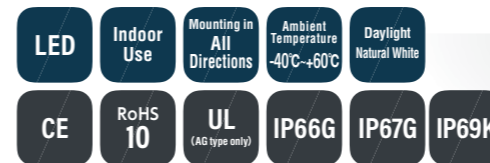
Description	Length		
	300mm	600mm	900mm
Illuminance (@1m, center, typical)	110lx	220lx	330lx

Product List

Model Number	Rated Voltage	Luminous Color	Power Consumption	Mass
CWA3S-24-CD	24V DC	Daylight	5W	0.215kg
CWA6S-24-CD	24V DC	Daylight	10W	0.37kg
CWA9S-24-CD	24V DC	Daylight	15W	0.53kg

LED Work Light

CLK/CLK-A



Model Number Configuration

C: M12 Connector Type

CLK3C-24AG-CD



- ① Length
2C = 200mm, M12 Connector
3C = 300mm, M12 Connector
3CL = 300mm, Daisy Link
6C = 600mm, M12 Connector
6CL = 600mm, Daisy Link
- ② Material
AG = Body: Aluminum
Lens: Tempered Glass
SG = Body: Stainless Steel
Lens: Tempered Glass
SA = Body: Stainless Steel
Lens: Acrylic Resin + PET Film + Tempered Glass
- ③ Luminous Color
CD = Daylight
CN = Natural White (3C only)

S: Cable Type

CLK3S-24AAG-CD



- ① Length
2S = 200mm
3S = 300mm
6S = 600mm
- ② Material
AG = Body: Aluminum
Lens: Tempered Glass
- ③ Luminous Color
CD = Daylight
CN = Natural White (3S only)

Product List

Model Number	Rated Voltage	Length of Illuminated Area	Body Material	Lens	Wiring Type	Luminous Color	Power Consumption	Mass
CLK2C-24AG-CD+FL005	24V DC	200mm	Aluminum	Tempered glass	M12 connector	Daylight	8.4W	0.526kg
CLK3C-24AG-CD/CN	24V DC	300mm	Aluminum	Tempered glass	M12 connector	CD: Daylight CN: Natural white	12.5W	0.676kg
CLK3C-24SA-CD/CN	24V DC	300mm	Stainless steel	Acrylic resin + PET film + Tempered glass	M12 connector	CD: Daylight CN: Natural white	12.5W	1.450kg
CLK3C-24SG-CD/CN	24V DC	300mm	Stainless steel	Tempered glass	M12 connector	CD: Daylight CN: Natural white	12.5W	1.490kg
CLK3CL-24AG-CD	24V DC	300mm	Aluminum	Tempered glass	M12 connector Daisy link	Daylight	12.5W	0.676kg
CLK3CL-24SA-CD	24V DC	300mm	Stainless steel	Acrylic resin + PET film + Tempered glass	M12 connector Daisy link	Daylight	12.5W	1.450kg

Product List

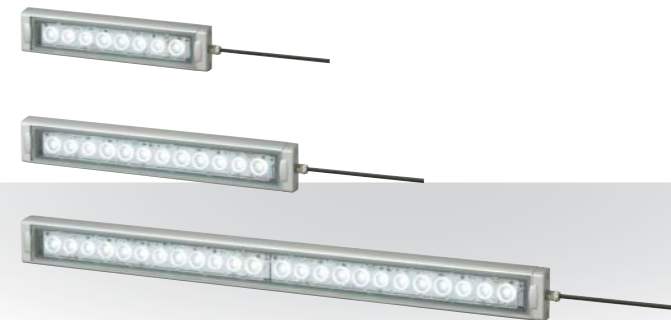
Model Number	Rated Voltage	Length of Illuminated Area	Body Material	Lens	Wiring Type	Luminous Color	Power Consumption	Mass
CLK3CL-24SG-CD	24V DC	300mm	Stainless steel	Tempered glass	M12 connector Daisy link	Daylight	12.5W	1.490kg
CLK6C-24AG-CD	24V DC	600mm	Aluminum	Tempered glass	M12 connector	Daylight	25W	1.222kg
CLK6CL-24AG-CD	24V DC	600mm	Aluminum	Tempered glass	M12 connector Daisy link	Daylight	25W	1.222kg
CLK2S-24AAG-CD	24V DC	200mm	Aluminum	Tempered glass	0.5m cable	Daylight	8.4W	0.526kg
CLK3S-24AAG-CD/CN	24V DC	300mm	Aluminum	Tempered glass	0.5m cable	CD: Daylight CN: Natural white	12.5W	0.676kg
CLK6S-24AAG-CD	24V DC	600mm	Aluminum	Tempered glass	0.5m cable	Daylight	25W	1.222kg

LED Work Light

CWK

LED Indoor Use Mounting in All Directions Ambient Temperature -10°C~+50°C Daylight

CE RoHS 10 UL FCC IP66G IP67G



Optional Parts

For details refer to P. 93 to P. 98

Product Name	Model Number
Outer Mounting Bracket	CLK-001
Swivel Bracket	SZ-320KS (1 pair)

Specification

Description	Distance	Luminous Segment Length		
		200mm	300mm	600mm
Illuminance (Center, typical)	At 1.0m	820lx	1,200lx	2,100lx
	At 2.0m	200lx	300lx	580lx

Dimensions (mm)

S-AG/C-AG specifications

S specifications

C specifications

CL specifications

Caution Please waterproof and oil-proof the end of the cable if it will come in contact with water or be in a low temperature environment.

Outer Mounting Bracket (CLK-001, sold separately)

C-SG specifications

Luminous Segment Length	Dimensions A	Dimensions B	Dimensions C
200mm	250mm	274mm	290mm
300mm	350mm	374mm	390mm
600mm	650mm	674mm	690mm

Model Number Configuration

CWK2S-24-CD

① ② ③ ④

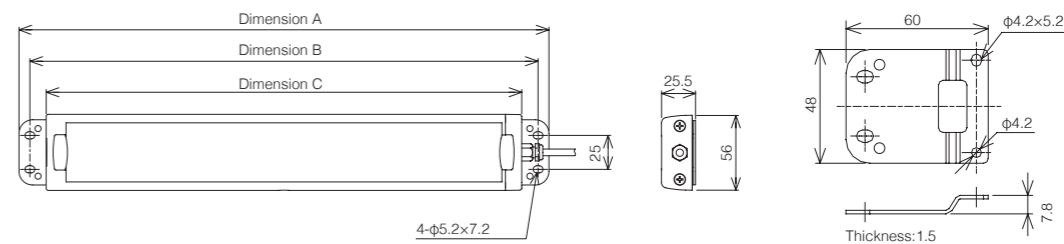
① Length
2 = 200mm
3 = 300mm
6 = 600mm

② Connector Type
S = Side-exiting Cable

③ Rated Voltage
24 = 24V DC

④ Luminous Color
CD = Daylight

Dimensions (mm)



Model Number	Dimension A	Dimension B	Dimension C
	Overall Length	Mounting Pitch	Body Length
CWK-2S-24-CD	290mm	274mm	250mm
CWK-3S-24-CD	390mm	374mm	350mm
CWK-6S-24-CD	690mm	674mm	650mm

Optional Parts

For details refer to P. 93 to P. 98

Product Name	Model Number
Swivel Bracket	SZ-320KS (1 pair)

Specification

Description	200mm	300mm	600mm
Illuminance (@1m, center, typical)	600lx	850lx	1500lx

Product List

Model Number	Rated Voltage	Luminous Color	Power Consumption	Mass
CWK2S-24-CD	24V DC	Daylight	8.64W	0.6kg
CWK3S-24-CD	24V DC	Daylight	11.52W	0.75kg
CWK6S-24-CD	24V DC	Daylight	23.04W	1.23kg

LED Work Light

CLN-A

- LED
- Indoor Use
- Mounting in All Directions
- Ambient Temperature -40°C~+60°C
- Daylight
- CE
- RoHS 10
- UL
- IP66G
- IP67G
- IP69K

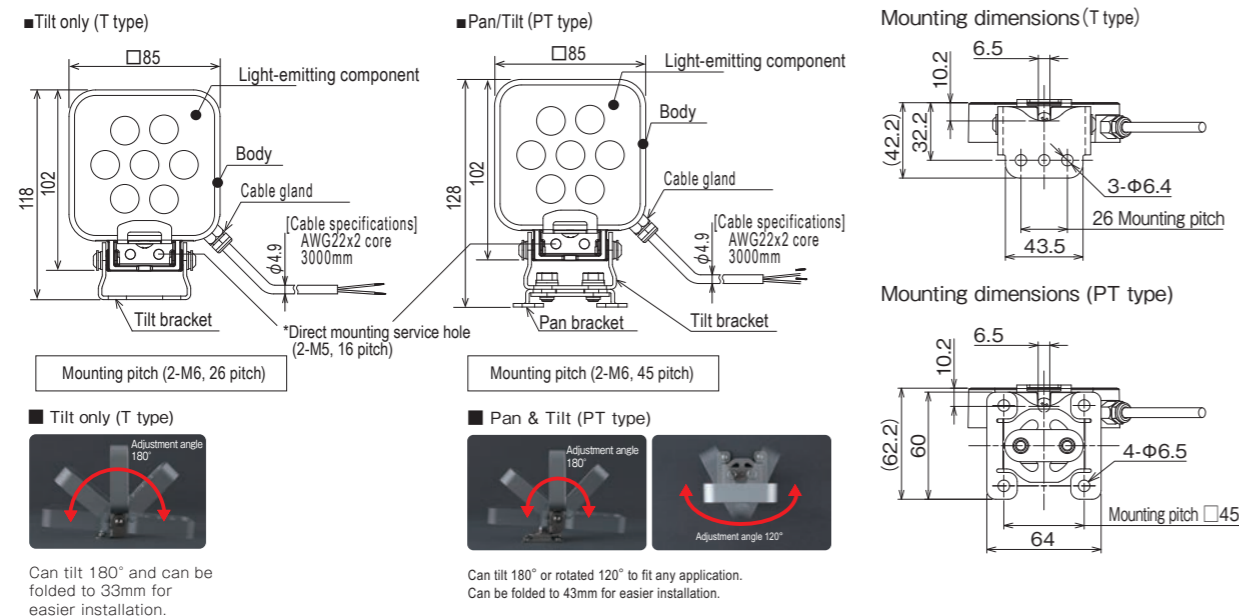


Model Number Configuration

CLN-24A-CD-T

① Mounting
T = Tilt Type
PT = Pan/Tilt Type

Dimensions (mm)



Product List

Model Number	Rated Voltage	Luminous Color	Power Consumption	Mass
CLN-24A-CD-T	24V DC	Daylight	4.2W	0.39kg
CLN-24A-CD-PT	24V DC	Daylight	4.2W	0.46kg

Specification

Description	Distance	
Illuminance (Center, typical)	At 1.0m	820lx
	At 2.0m	200lx

LED Work Light

CLE

- LED
- Indoor Use
- Mounting in All Directions
- Ambient Temperature -25°C~+60°C
- CE
- RoHS 10
- IP65F



CLE-24 (Wide Angle Type)

CLE-24N (Narrow Angle Type)

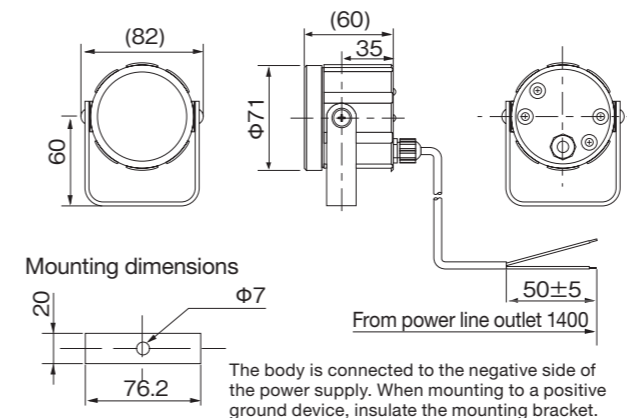
Model Number Configuration

CLE-24N

① Rated Voltage
24 = 24V DC

② Irradiation Type
None = Wide Angle Type
N = Narrow Angle Type

Dimensions (mm)



Specification

Luminous Intensity	None = 25cd or more N: 160cd or more
--------------------	---

Product List

Model Number	Lens	Rated Voltage	Power Consumption	Mass
CLE-24	Translucent	24V DC	1.3W	0.3kg
CLE-24N	Clear (narrow angle type)	24V DC	1.3W	0.3kg

Wall Mounting

Circular Bracket SZW-001W

Material: SPCE

Compatible products LR series

RoHS 10

Mounting dimensions (Unit: mm)

M5 Screws Recommended tightening torque 1.4 N·m

Wall Mount Waterproof Bracket (For Φ80mm/Φ100mm) SZK-101

Material: PC

Compatible products SKS / SKH SF08 / SF10 SL08 / SL10

RoHS 10

Mounting dimensions (Unit: mm)

M5 Screws Recommended tightening torque 1.4 N·m

*3-screw types require rubber gasket.

Wall Mount Bracket SZK-002W/U/K

Material: PC

Compatible products LR4 / LR5

RoHS 10

Mounting dimensions (Unit: mm)

M5 Screws Recommended tightening torque 1.4 N·m

Wall Mount Bracket SZK-003W/U/K

Material: PC

Compatible products LR6 / LR7 / WDB / LA6

RoHS 10

Mounting dimensions (Unit: mm)

M5 Screws Recommended tightening torque 1.4 N·m

Wall Mount Bracket SZK-004W

Material: PC

Compatible products LR6 / LR7 / LA6

RoHS 10

Wiring can pass through bracket.

* Compatible M16xP1.5 cable gland sold separately.

Wall Mount Bracket (For Φ80mm/Φ100mm) SZK-102

Material: SUS304

Compatible products SKS / SKH SF08 / SF10 SL08 / SL10

RoHS 10

Mounting dimensions (Unit: mm)

M5 Screws Recommended tightening torque 1.4 N·m

Wiring hole (Φ15) When using a cord with an AC power plug: Φ30

Wall Mount Bracket (For Φ150mm) SZK-103

Material: SUS304

Compatible products SKP / SL15

RoHS 10

Mounting dimensions (Unit: mm)

M6 Screws Recommended tightening torque 2.4 N·m

Wiring hole (Φ15) When using a cord with an AC power plug: Φ30

Cover for Wall Mount Bracket SZK-104

Material: PC

Compatible products SZK-102

RoHS 10

Safety Note: Use Wall Mount Bracket Cover when installing M12 type units to prevent wiring from being exposed.

Cover for Wall Mount Bracket SZK-105

Material: PC

Compatible products SZK-103

RoHS 10

Safety Note: Use Wall Mount Bracket Cover when installing M12 type units to prevent wiring from being exposed.

Wall Mount Bracket SZ-007

Material: SECC

Compatible products SKS-M1 / SKH-M1 SF08-M1J / SF10-M1J SL08-M1J / SL10-M1J

RoHS 10

(Models with a mounting pitch of Φ50 or Φ70.)

Wall Mount Bracket with Cover SZ-023

Material: Bracket SECC, Cover AES

Compatible products SKS / SKH / SKP SF08-J / SF10-J SL08-J / SL10-J / SL15-J

RoHS 10

(Models with a mounting pitch of Φ50, Φ70, Φ120, Φ140, and □74.)

Wall Mount Bracket SZ-008

Material: SECC

Compatible products SKS-M1 / SKH-M1 / SKP-M1 SF08-M1J / SF10-M1J SL08-M1J / SL10-M1J / SL15-M1J

RoHS 10

(Models with a mounting pitch of Φ50, Φ70, Φ120, Φ140, and □74.)

Wall Mount Bracket with Cover SZ-023

Material: Bracket SECC, Cover AES

Compatible products SKS / SKH / SKP SF08-J / SF10-J SL08-J / SL10-J / SL15-J

RoHS 10

(Models with a mounting pitch of Φ50, Φ70, Φ120, Φ140, and □74.)

Wall Mount Bracket NE-002D

Material: PC

Compatible products NE-A / NE-IL

RoHS 10

Wall Mount Bracket RF-001

Material: ABS

Compatible products RFV / RFT

RoHS 10

Mounting dimensions (Unit: mm)

Screws/Nuts
 ※ 1: M8 x 2 pcs
 ※ 2: M10 x 2 pcs

Recommended tightening torque 2.4N·m

Installation image

* Attach using two M6 screws.

Wall Mount Bracket SZ-110 (Off-white)

Material: ABS

Compatible products SZ-110D (Dark gray), SZ-110S (Silver)

RoHS 10

Mounting dimensions (Unit: mm)

Wall Mounting

Wall Mount Bracket (Exposed wiring type) NH-WST

Material: SECC

Compatible products NH-FB

RoHS 10

Mounting dimensions (Unit: mm)

Wall Mount Bracket (Exposed wiring type) NH-WST2

Material: SECC

Compatible products NH-FV, LA6-POE

RoHS 10

Mounting dimensions (Unit: mm)

For T-type Aluminum Pole

L-bracket SZL-001

Material: SPHC-P

Compatible products LR Series

RoHS 10

Corresponding pole POLE22-AT

Mounting dimensions (Unit: mm)

Screws/Nuts
 ※ 1: M6 x 2 pcs
 ※ 2: M10 x 2 pcs

Recommended tightening torque 12.4N·m

For N-type Aluminum Pole

Circular Multi-mount Bracket SZP-001W/U/K

Material: PC

Compatible products LR series

RoHS 10

Corresponding pole POLE22-AN

Mounting dimensions (Unit: mm)

M4 Screws Recommended tightening torque 0.6 N·m

Circular Bracket SZP-002U

Material: ADC12

Compatible products LR series

RoHS 10

Corresponding pole POLE22-AN

Mounting dimensions (Unit: mm)

M4 Screws Recommended tightening torque 0.6 N·m

For N/T-type

Wall Mount Bracket SZK-001U

Material: ADC12

Compatible products LR series

RoHS 10

Corresponding pole POLE22-AN, POLE22-AT

Mounting dimensions (Unit: mm)

M5 Screws Recommended tightening torque 1.4 N·m

Circular Bracket SZP-003W/U/K

Material: PC

Compatible products LR series

RoHS 10

Corresponding pole POLE22-AN

Mounting dimensions (Unit: mm)

M4 Screws Recommended tightening torque 0.6 N·m

Folding Bracket SZQ-001W

Material: PC

Compatible products LR series

RoHS 10

Corresponding pole POLE22-AN

Mounting dimensions (Unit: mm)

M5 Screws Recommended tightening torque 1.4 N·m

Watch the video

Pole Mounting

Upper Bracket SZP-101

Material: PC

Compatible products SKH / SF10 / SL10

RoHS 10

Corresponding pole POLE22-AN, POLE22-AT

Mounting dimensions (Unit: mm)

M5 Screws Recommended tightening torque 1.4 N·m

NPT Bracket SZP-102

Material: AL

Compatible products SKS / SF08 / SL08

RoHS 10

NPT Bracket SZP-103

Material: AL

Compatible products SKH / SF10 / SL10

RoHS 10

NPT Bracket SZP-104

Material: AL

Compatible products SKP / SL15

RoHS 10

* Use mounting rubber gasket when installing 3-screw mounting type units. Bracket does not support AC cord with plug.

NPT Bracket SZP-090U

Material: AL

Compatible products LR4-WJ / LR5-WJ / LR5-WT / LR5-KT

RoHS 10

NPT Bracket SZP-091U

Material: AL

Compatible products LR6-WJ / LR7-WJ / LR7-WT / LR7-KT

RoHS 10

Poles and Pole Assemblies

70 mm

SZ-40L Compatible products KUS

Mounting dimensions (Unit: mm)

Materials: ADC12, Carbon Steel Tubes for Machine Structural Purposes 11 type A, SPHC, EPT

RoHS 10

SZ-40T Compatible products KUS

Mounting dimensions (Unit: mm)

Materials: ADC12, Carbon Steel Tubes for Machine Structural Purposes 11 type A, SPHC, EPT

RoHS 10

φ81 mm

SZ-30L Compatible products SKH-EA

Mounting dimensions (Unit: mm)

Materials: ADC12, Carbon Steel Tubes for Machine Structural Purposes 11 type A, SPHC, EPT

RoHS 10

SZ-30T Compatible products SKH-EA

Mounting dimensions (Unit: mm)

Materials: ADC12, Carbon Steel Tubes for Machine Structural Purposes 11 type A

RoHS 10

φ60 mm

SZ-70L Compatible products LA6

Mounting dimensions (Unit: mm)

Materials: ADC12, Carbon Steel Tubes for Machine Structural Purposes 11 type A, SPHC, EPT

RoHS 10

Steel Pole

22POLE-300 Compatible products LA6

22POLE-500 Compatible products LA6

22POLE-1000 Compatible products LA6

Materials: carbon steel pipes for ordinary piping

RoHS 10

Aluminum Pole (Bind tapping screw for affixing pole (2 screws) included)

*When cutting the poles, do not cut with pole cutters. Use a fret saw, power saw, or jigsaw.
 *If changing from direct mounting specifications to pole mounting specifications, please purchase pole brackets together with the aluminum pole.

N type	100mm Type: POLE22-0100AN(K)	T type	100mm Type: POLE22-0100AT
	300mm Type: POLE22-0300AN(K)		300mm Type: POLE22-0300AT
	500mm* Type: POLE22-0500AN	Nut included	500mm Type: POLE22-0500AT
NK type	800mm* Type: POLE22-0800AN(K)		800mm Type: POLE22-0800AT
	1000mm* Type: POLE22-1000AN		1000mm Type: POLE22-1000AT

Materials: AL

RoHS 10

NPT Adaptor

SZ-904

SZ-903

Pole Bracket

SZ-010 (For φ21.7 Pole)

Mounting dimensions (Unit: mm)

Compatible products LA6 / LR6-USB / WDB

Corresponding pole POLE22-AN, POLE22-AT, POLE-A21

Material: ADC12

RoHS 10

SZ-016A (For φ21.7 Pole)

Mounting dimensions (Unit: mm)

Compatible products LA6 / LR6-USB / WDB

Corresponding pole POLE-A21

Material: ADC12

RoHS 10

SZP-004W

Mounting dimensions (Unit: mm)

Compatible products LR6-USB (POLE-□00A21 used with +00109), WDB

Corresponding pole POLE-A21

Materials: ADC

RoHS 10

Platform Bracket

Material: Heat-resistant ABS

RoHS 10

SZ-100 (Off-white)

SZ-100D (Dark Gray)

SZ-100S (Silver paint)

Compatible products LS7

Mounting dimensions (Unit: mm)

Partition Mounting Bracket

NH-PST

Compatible products NH-FB

Material: SECC

RoHS 10

Desktop Platform

SZW-060W

Compatible products LA6-5DTNWB-POE, LA6-5AWJWB-RYGBC

Material: SECC

RoHS 10

SZW-002W

Compatible products LR4-02WJ, LR5-0□□□, LR6-02WJ, LR6-ILWM, LR6-USB WDB, PWS

Material: SECC

RoHS 10

Rack Mounting Bracket

NBM-ANG

Compatible products NBM

Material: SECC

RoHS 10

Ceiling Mounting Bracket

SZW-101

Compatible products SKH/SF10/SL10

Material: SPCE

RoHS 10

RF-002

Compatible products RFV, RFT

*It cannot be used in a place exposed to water.

Material: ABS

RoHS 10

Mounting dimensions (Unit: mm)

*If screwing in 2 locations, use A-D and B-F; if mounting in 3 locations, use A-C-E. Please mount with M6 screws.

Rubber Gasket

SZW-102

Compatible products SKS / SF08 / SL08

Material: Silicon

RoHS 10

SZW-103

Compatible products SKH/SF10/SL10

Material: Silicon

RoHS 10

Serial Cable

WDX-SC01

Approximately 3 m long.

Compatible products WDB

RoHS 10

WD System Setup Kit

WDX-4LRB

Compatible products WDR-Z2-PRO / WDR-Z2

RoHS 10

WDX-5LRB

Compatible products WDT-5LR-Z2

RoHS 10

WDX-6LRB

Compatible products WDT-6LR-Z2

RoHS 10

WD System Setup Software

WDS-WIN01

Compatible products WDR-Z2-PRO / WDR-Z2

*Free version is limited to changing the transmitter and receiver settings. Data collection only available with paid license.

Tint Film

NHL-TF

Compatible products NHL-FV2 / NHL-FB2

RoHS 10

NHP-TF

Compatible products NHP-FV2 / NHP-FB2 / PHE-3FB3

Universal AC Adapter

ADP-001

Compatible products NH / NBM-D88N / PHE-3FB3, PHC-D08 / WDR-LE-Z2, WDX-5LRB / WDX-6LRB, WDR-LE-Z2-PRO(L)

Compatible countries Japan, Europe, U.S., China, Korea, Taiwan, Thailand, Indonesia, Canada, Philippines, Vietnam

RoHS 10

Speaker

SPB-2E-W(Off-white)
2W 8Ω

RoHS 10

Mounting dimensions (Unit: mm)
75 19.9
5mm strip 50.0

SPB-5E(Light Gray)
5W 8Ω

RoHS 10

Mounting dimensions (Unit: mm)
148 110
Metal Fitting (accessory)

SPL-5E
5W 8Ω

RoHS 10

Mounting dimensions (Unit: mm)
127 35.7 14.5
113 110 110 110 110 110
Lx Long hole
Long hole enlarged drawing
Solder terminal
Solder terminal

SPW-5E(Light Gray)
5W 8Ω

Mounting dimensions (Unit: mm)
186 230 166 122 100 38 58
About 400mm from outlet

SPH-10EA
10W 8Ω

Mounting dimensions (Unit: mm)
225 188 153 35 7.5 2 38 38 116 3-φ8.5 20 1.40

Cable Gland

REL-001
Compatible products
REL / EDLR

RoHS 10

Materials:
Copper alloy, nickel plating

SD Card

SDV-2GP
Compatible products
Various voice annunciator alarms

RoHS 10

Mounting Bracket

BK-001
Compatible products
BK / BKV / SPB-5E
BK-001
Can be used to install older products with □130mm mounting holes.

RoHS 10

Mounting dimensions (Unit: mm)
140 130
Positioning protrusion

BK-002-J (Light gray)
BK-002-K (Dark gray)
Compatible products
BK / BKV / SPB-5E

RoHS 10

Mounting dimensions (Unit: mm)
71 126 120 53.5 10 10 10 10 10 10
100mm (Bracket external diameter)
Installation Dimension Drawings
Screw mounted components
Wiring hole (Knockout)
Wiring hole
Accessory

Cable

Connector with cable (OMRON model)
SZ-120-02 (2m)
(XS2F-D821-DH0-R)

SZ-120-05 (5m)
(XS2F-D821-GH0-R)

SZ-120-10 (10m)
(XS2F-D821-JH0-R)

RoHS 10

Compatible products
LS7, LR6-WC

Mounting Bracket for LED Work Light

SZ-310AR
Rear Screw Mount Bracket (2 included)

SZ-310ARM
Rear Magnetic Mount Bracket (2 included)

RoHS 10

Compatible products
CLA-A

Mounting dimensions (Unit: mm)
25 2-Magnet (SZ-310 ARM Only)
3-φ4.2(countersunk)

Material: PC

SZ-310AS
Side Screw Mount Bracket (2 included)

RoHS 10

Compatible products
CLA-A

Material: PC

Mounting dimensions (Unit: mm)
φ4.2×5.2

SZ-310ASB
Side Screw Mount Bracket
Compatible with CLB-24N. (2 included)

RoHS 10

Compatible products
CLA-A

Material: PC

Mounting dimensions (Unit: mm)
φ4.2×5.2

SZ-310EU
Steel Rear Screw Mount Bracket, silver

RoHS 10

Compatible products
CLA-A

Material: Stainless Steel

Mounting dimensions (Unit: mm)
2-φ4.2

SZ-320KS
Compatible products
CLK / CLK-A / CWK

RoHS 10

Materials:
Cold rolled stainless steel plate (SUS304)

Mounting dimensions (Unit: mm)
2-φ6.3
56 4.0
Mounting hole for CLK-24AG

CLK-001
Compatible products
CLK / CLK-A

RoHS 10

Material:
Cold rolled stainless steel plate (SUS304)

Mounting dimensions (Unit: mm)
60 48

CWF-001
Swivel Bracket
Compatible products
CWF

RoHS 10

Material: SUS304

Adjustment Angle 130°

※ Accessory Bracket Screw 2pcs included.
Mounting screws not included.

CWF-002
Magnetic Mounting Bracket
Compatible products
CWF

RoHS 10

Material: Neodymium Magnet

※ Accessory Bracket Screw 2pcs included